

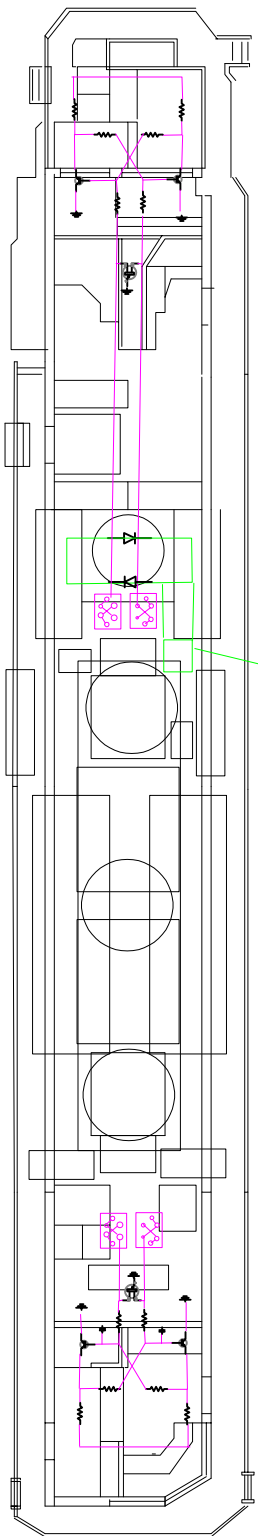
AC COUNTER EMF TRACTION MOTOR DYNAMIC BRAKING AND CHARGING DUAL DIODES
 4 TRACTION MOTORS

AT	Initial	date	name	checked	auth	project
design	JY/07/BJT	07/07/21	BJT	SI	SI	
change						

AC COUNTER EMF TRACTION MOTOR DYNAMIC BRAKING
 4 TRACTION MOTORS

ADAM NUENT ROSENBERGER 10/21/2021


1/1
 sheet

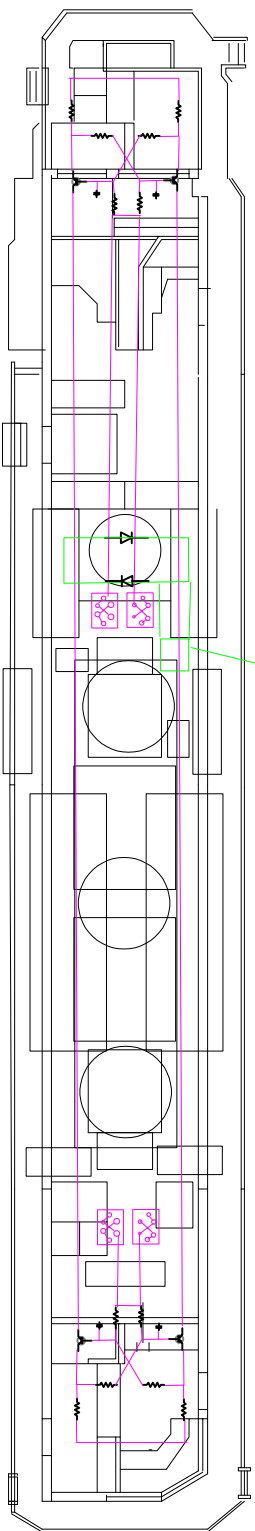


VOLTAGE REGULATOR

AC COUNTER EMF TRACTION MOTOR DYNAMIC BRAKING AND CHARGING DUAL DIODES
 6 TRACTION MOTORS









AT	initial	PI/VI/BDI	date	name	project
design				design	
check				check	
auth				auth	
bd				bd	
change				change	

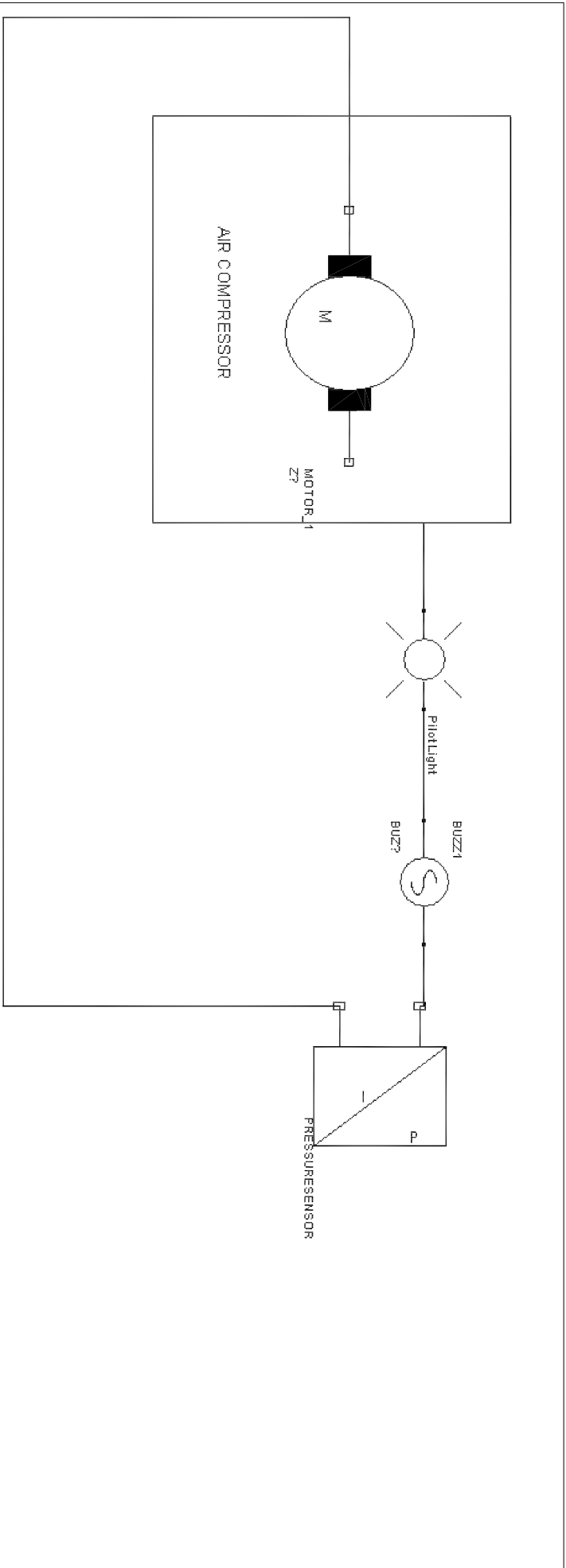
		AC COUNTER EMF TRACTION MOTOR DYNAMIC BRAKING 6 TRACTION MOTORS ADAM NUGENT ROSENBERGER® 10/21/2021
1/1	sheet	



VOLTAGE REGULATOR

AC COUNTER EMF TRACTION MOTOR DYNAMIC BRAKING AND CHARGING DUAL DIODES

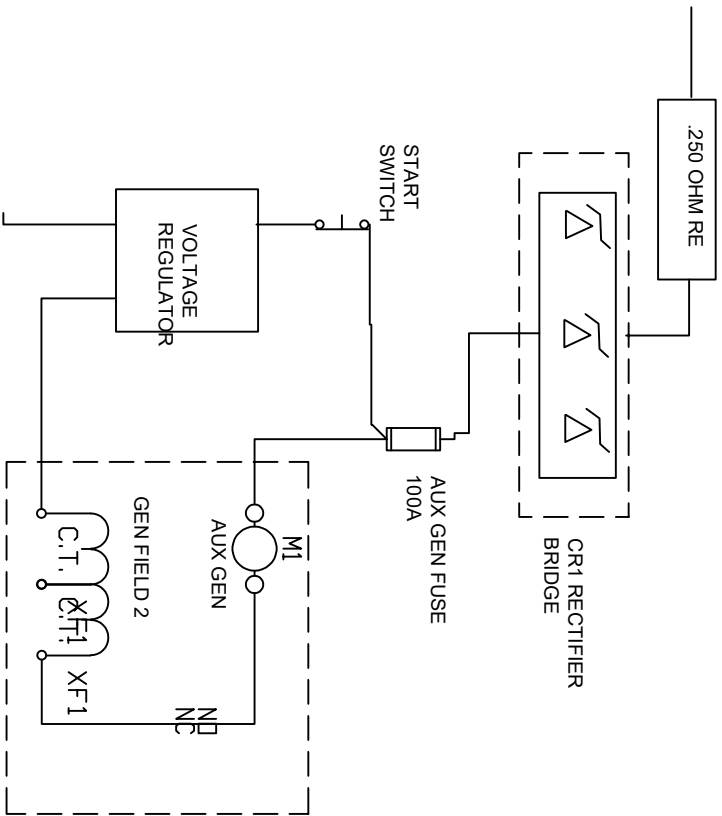


FAULT CODE 1 LEAK AIR HOSE OR GASKET

FAULT CODE2 ANGLE OR DRAIN COCK LEAK

FAULT CODE3 CHECK COMPRESSOR VAVLE BAD

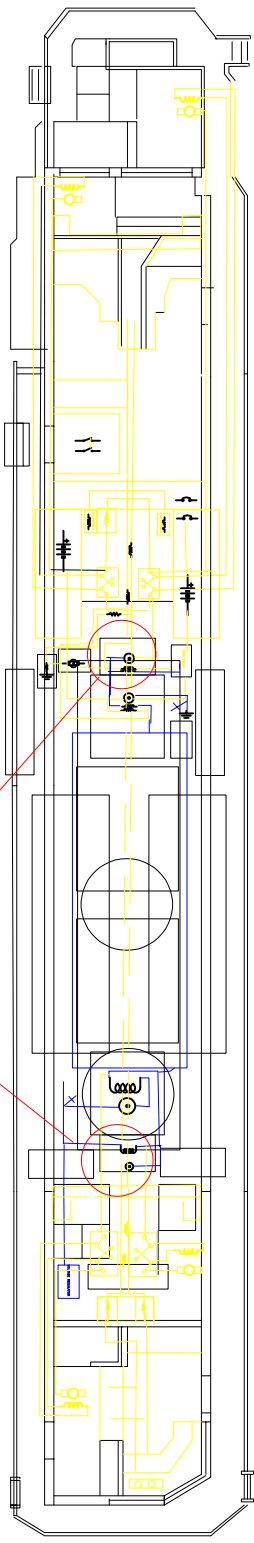
Title	AIR COMPRESSOR FAILS TO PUMP AIR	
Author	ADAM NUGENT ROSENBERGER	
File	...	Document
Revision	1.0	1 of 1
Date	APRIL 26 2022	



AUX GEN AND VOLTAGE REG CIRCUIT

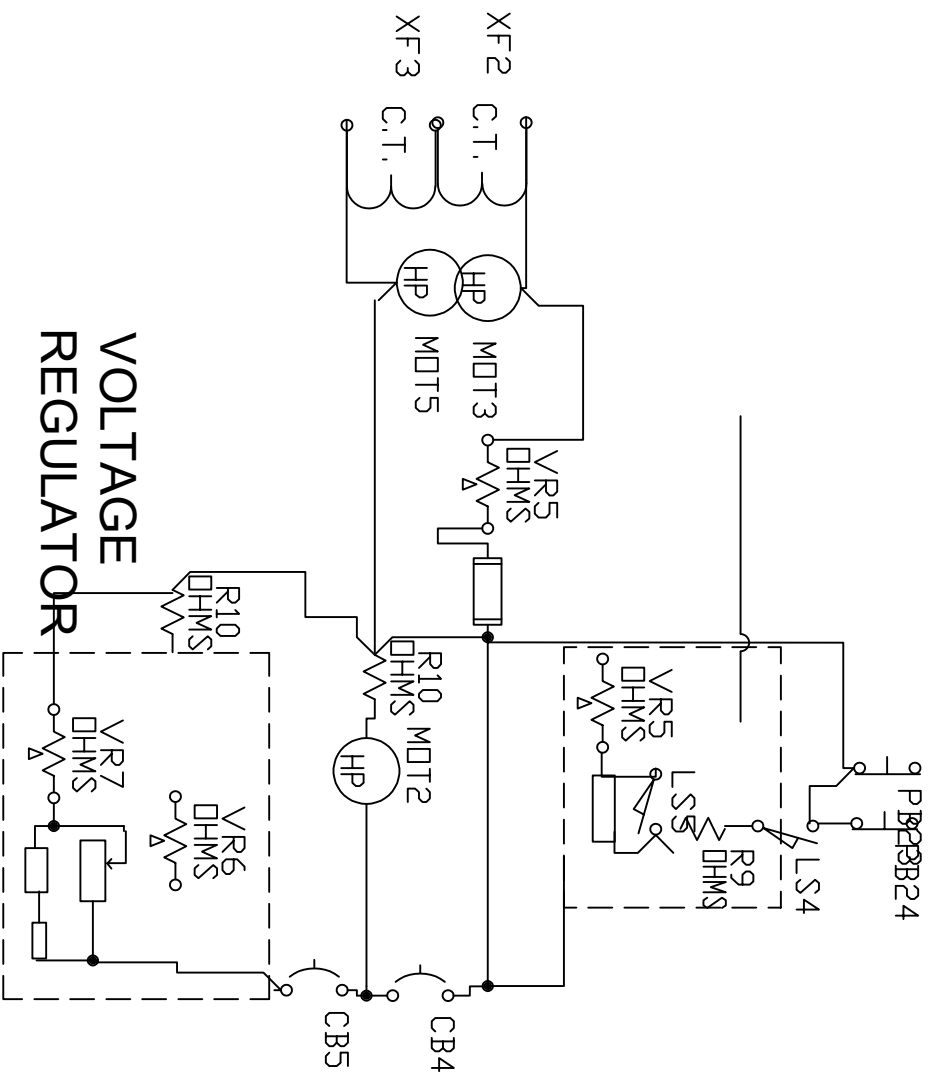
ADAM NUGENT ROSENBERGER

JULY 7, 2022 COPYRIGHT



AUXILIARY EXICTER GENERATORS

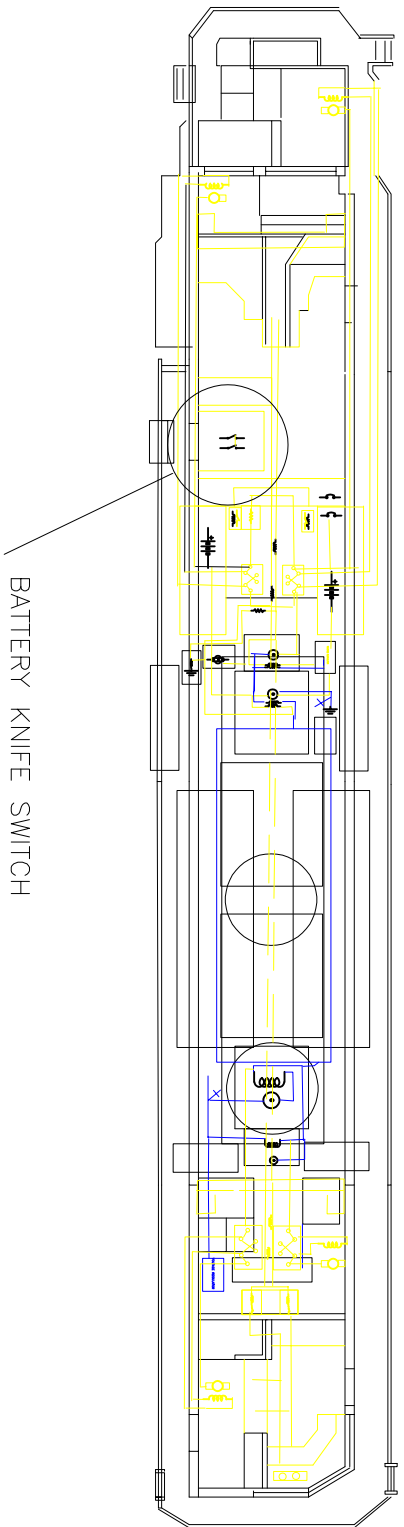
		date	name	AUXILIARY EXICTER GENERATORS	
	design	U/01/201	ROSENBERGER	ROSENBERGER® 11/5/2021	
	checktd		dil		
	auth.	tpd	dil		
	initial				
	design	U/01/BDJil			
	change				
	loc	ham	project		
				1/1	
				sheet	





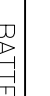
**BATTERY CHARGING
CIRCUIT**

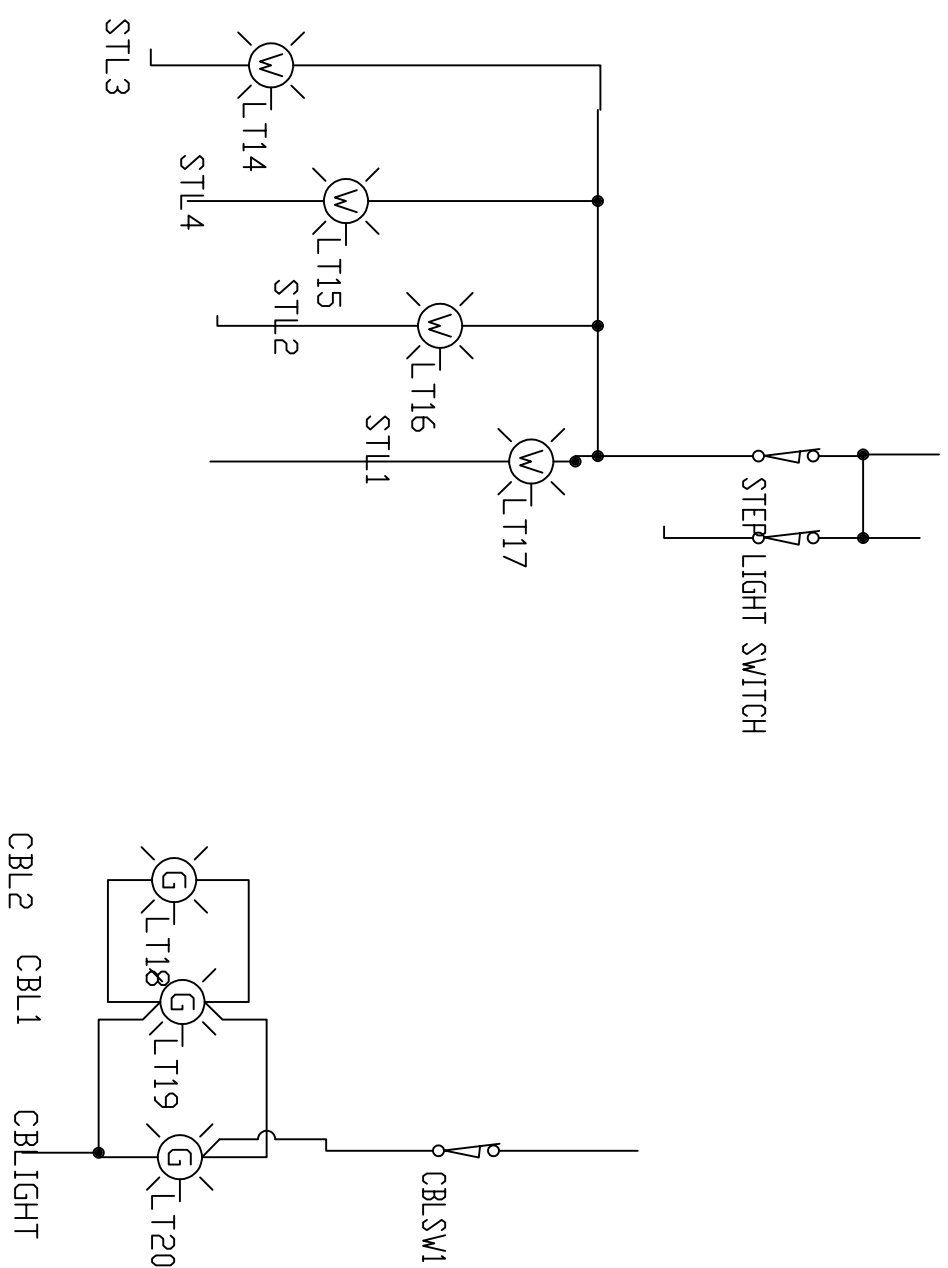
ADAM NUGENT ROSENBERGER

JULY 15, 2022 COPYRIGHT



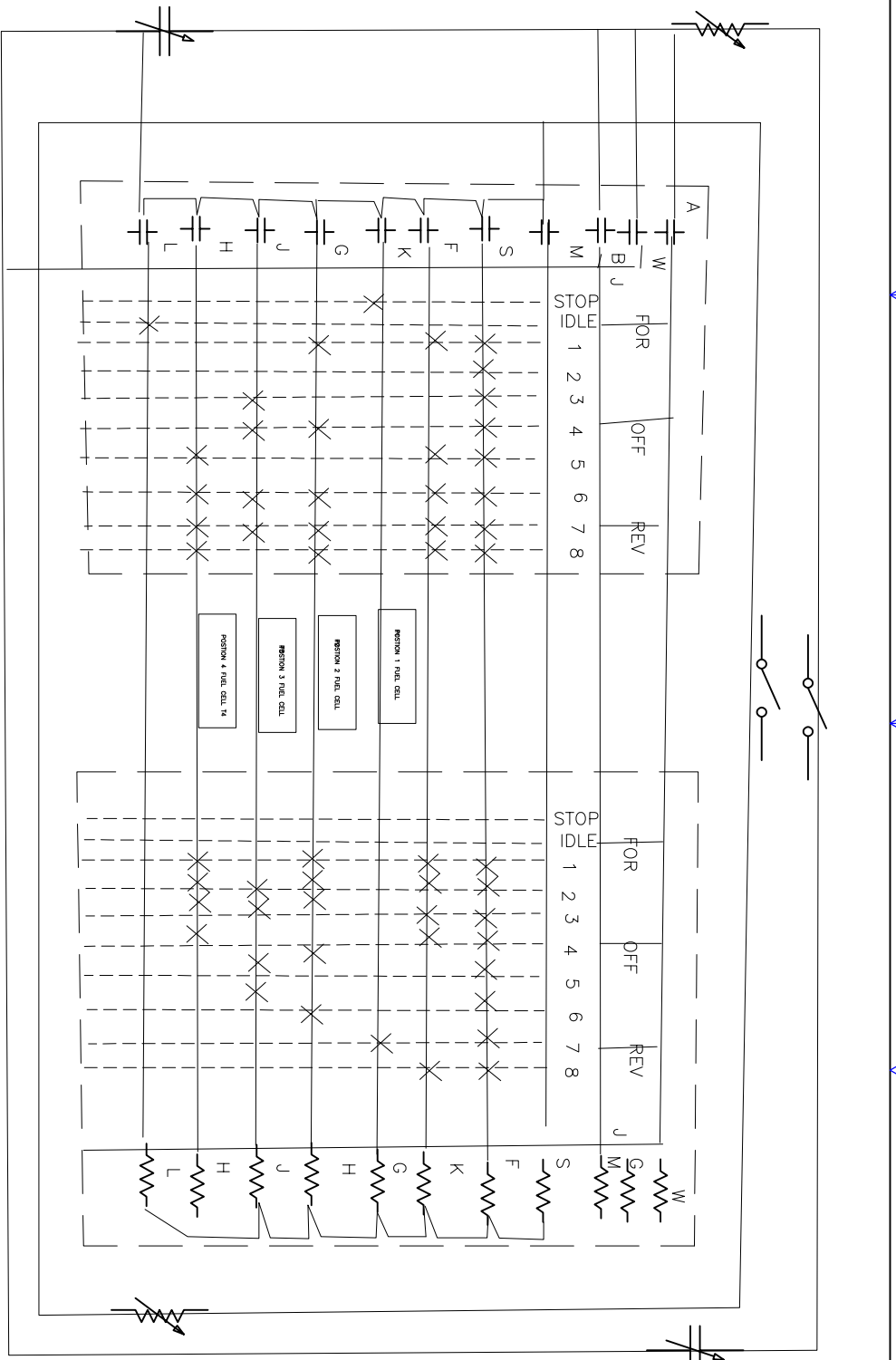
BATTERY KNIFE SWITCH

							
		name date design checked auth. hbd		name date design checked auth. hbd		name date design checked auth. hbd	
		ROSENBERGER® 1/5/2021		ROSENBERGER® 1/5/2021		ROSENBERGER® 1/5/2021	
		1/1		1/1		1/1	
		sheet		sheet		sheet	



**CAB/STEP LIGHT
CIRCUIT**

ADAM NUGENT ROSENBERGER
JULY 7, 2022 COPYRIGHT



CENTRAL TRAFFIC MASTER CONTROL			
name	date	design	17/07/2021
check	led	auth	bbd
part	name	part	number
replaces	by	replaced	1/1
initial	07/07/2021	design	17/07/2021
At design	date	auth	bbd
pc	change	date	auth

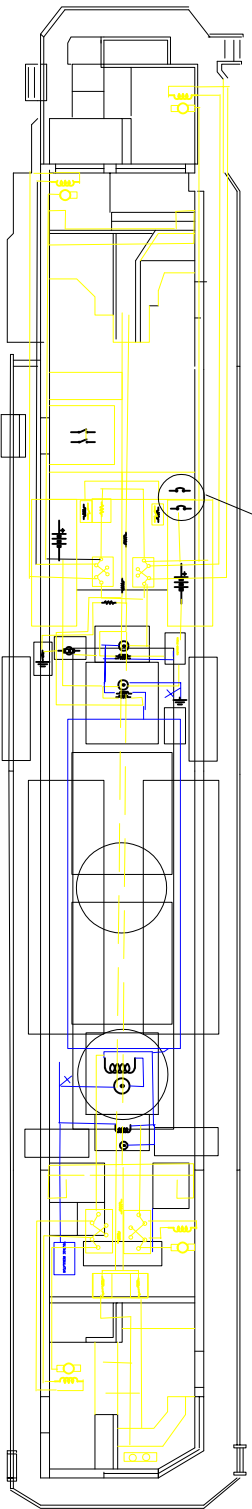
ROSNBERGER 11/20/2021

① ② ③ ④

① ② ③ ④

ⓐ ⓑ

ⓐ ⓑ



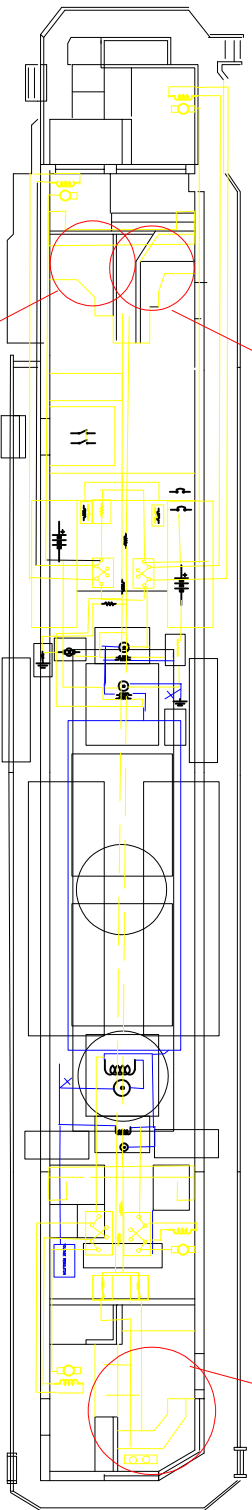
CONTACTOR CRANKING

		date	name		
	design	07/01/2021	checktd	dil	
	auth.	td	dil		
	initial				
A1	design	07/01/2021			
	change				
	loc				

CONTACTOR CRANKING

#0581NBERBER# 11/5/2021

1 / 1
sheet



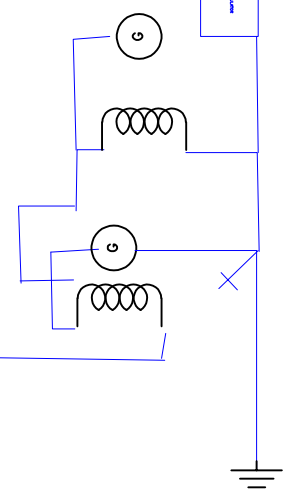
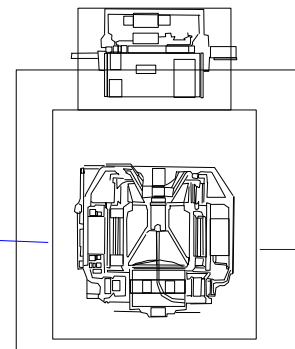
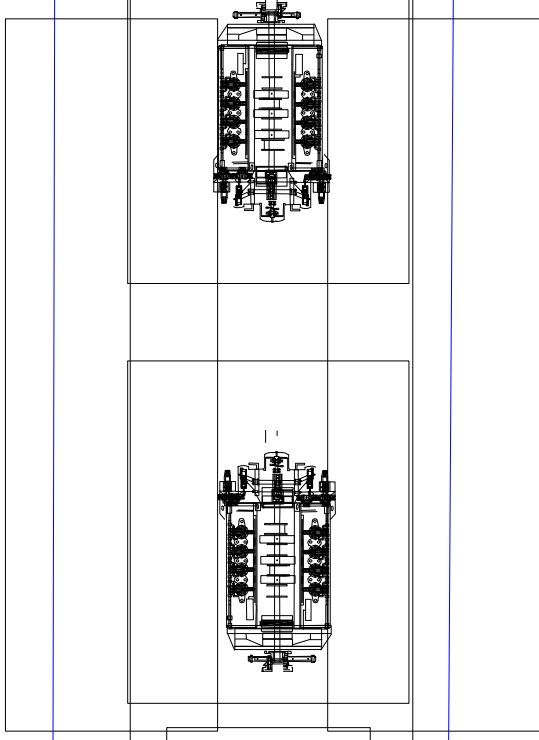
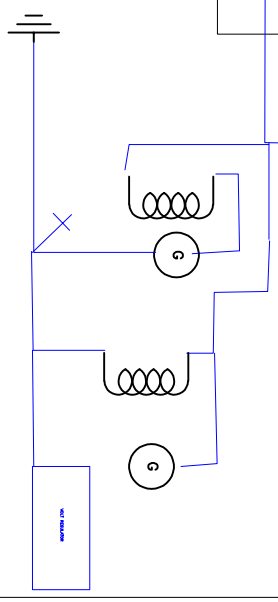
CONTROLLER MECHANISM

CONTROLLER MECHANISM

CONTROLLER MECHANISM

		name		PROJECT	
		date	auth.	date	name
design	DI	DI	DI	DI	DI
checked	DI	DI	DI	DI	DI
initial	DI	DI	DI	DI	DI
change	DI	DI	DI	DI	DI
loc	DI	DI	DI	DI	DI
<p>CONTROLLER MECHANISM</p>		<p>ROSENBREGER@1/5/2021</p>		<p>1 / 1</p>	
<p>sheet</p>		<p>1 / 1</p>		<p>1 / 1</p>	

VOLT REGULATOR



VOLT REGULATOR

1

2

1

2

3

4

1

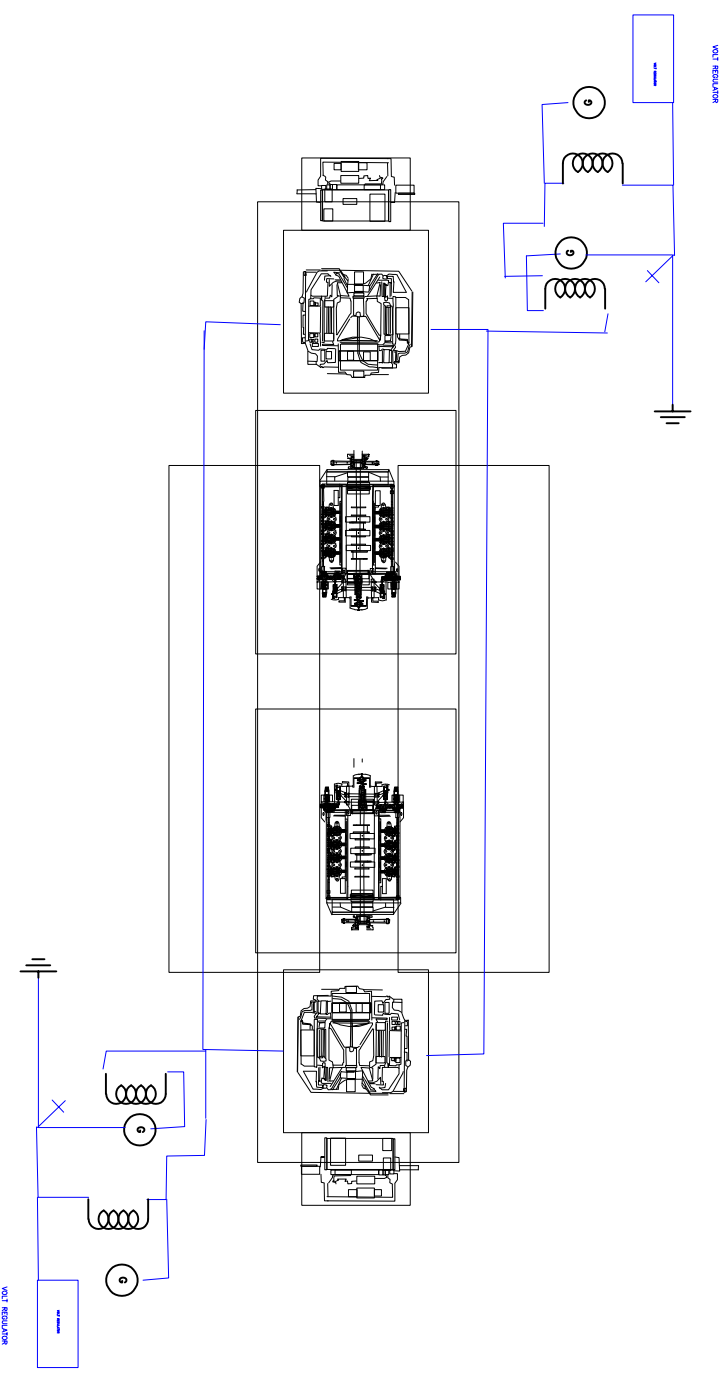
2


1

2

3

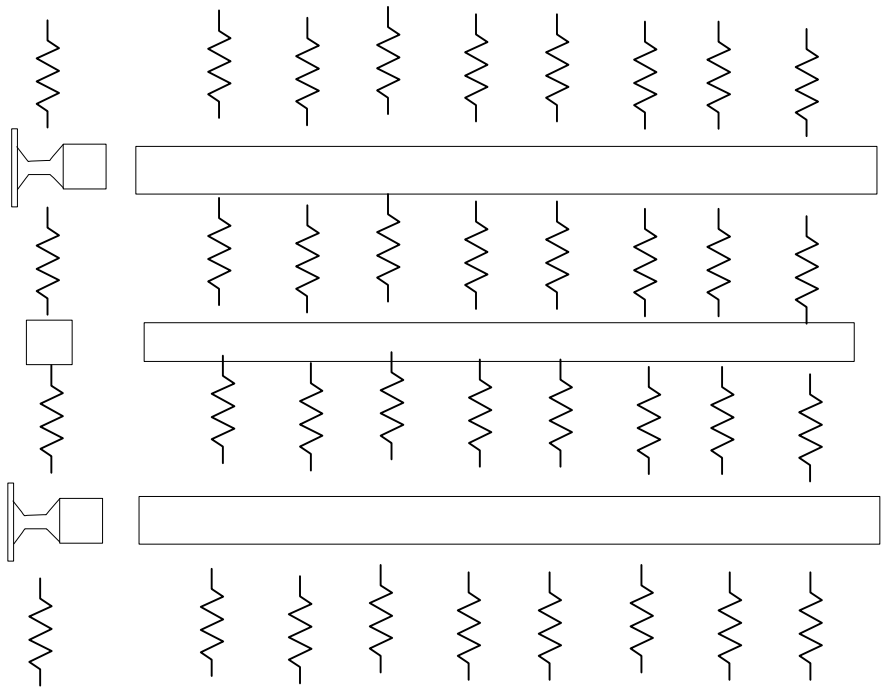
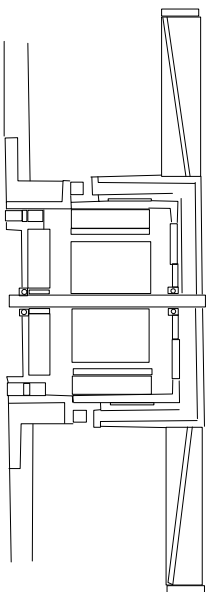
4



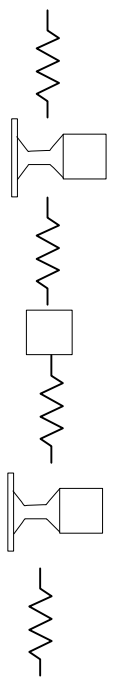
		name DUAL ENGINE SWITCH GENERATOR SETS		scale 1:1 (mass)	
date 07/01/2021		design R058N14R63RFR011/18/2021		part number DDOONN11/1	
checked [blank]		dwn [blank]		replaced by [blank]	
auth. fbd [blank]		dli [blank]		sheet 1/1	
initial A1		date 07/01/2021		project hamperlect	
design [blank]		hamperlect [blank]		[blank]	
change [blank]		[blank]		[blank]	
loc [blank]		[blank]		[blank]	

① → ② → ③ → ④

DYNAMIC BRAKING RESISTOR GRID



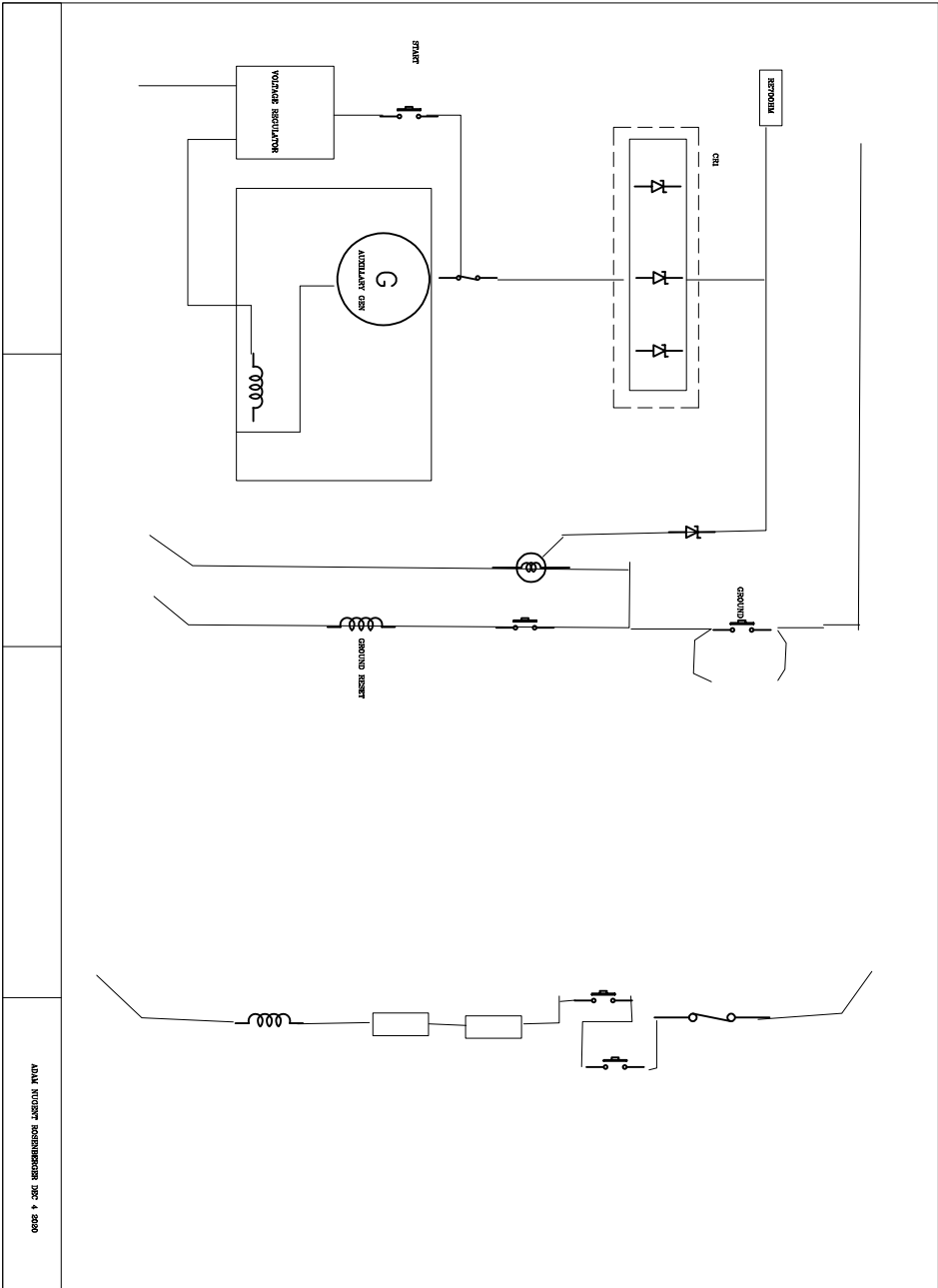
TYPE A ELECTRIC RETARDER USED FOR DYNAMIC BRAKING RESISTOR



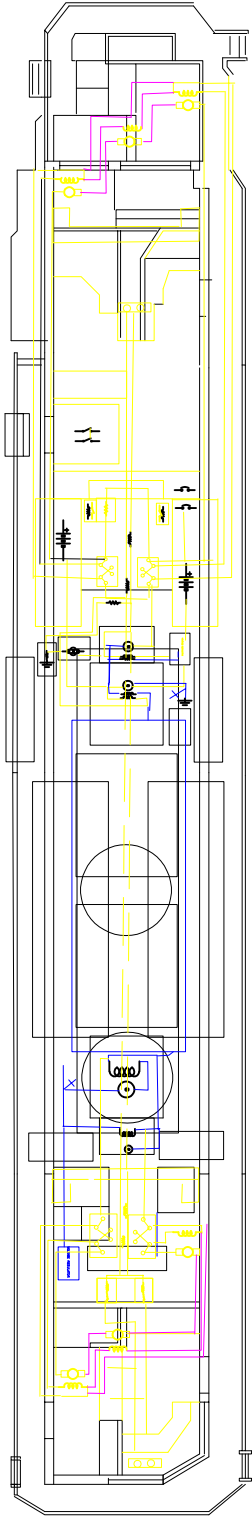
ELECTRIC FAN Patent No.: (45) Date of Patent: US 7,042,121


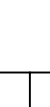
				scale 1:1			
		(material specification)		(mass)			
name		date		name		title	
desig		17/07/88		DIL		sub	
sheet no		DIL		DIL		t	
auth		DIL		DIL			
name				name			
part		part		part		part	
number		number		number		number	
replaces		replaces		replaces		replaces	
by		by		by		by	
D		D		D		D	
DOONN		DOONN		DOONN		DOONN	
1/1		1/1		1/1		1/1	
sheet		sheet		sheet		sheet	
A1		A1		A1		A1	
design		design		design		design	
change		change		change		change	
date		date		date		date	
17/07/88		17/07/88		17/07/88		17/07/88	
ham		ham		ham		ham	
project		project		project		project	

① → ② → ③ → ④



SCHEMATIC OF STAR-DELTA MOTOR STARTER

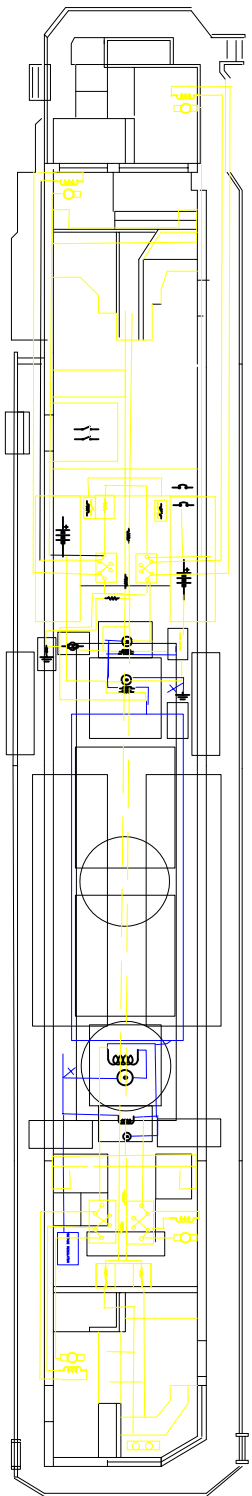




			
name	date	design	auth.
	07/07/2021	BDII	
check/bd	dil	dil	
initial			
design	07/07/2021		
change			
loc	ham	project	

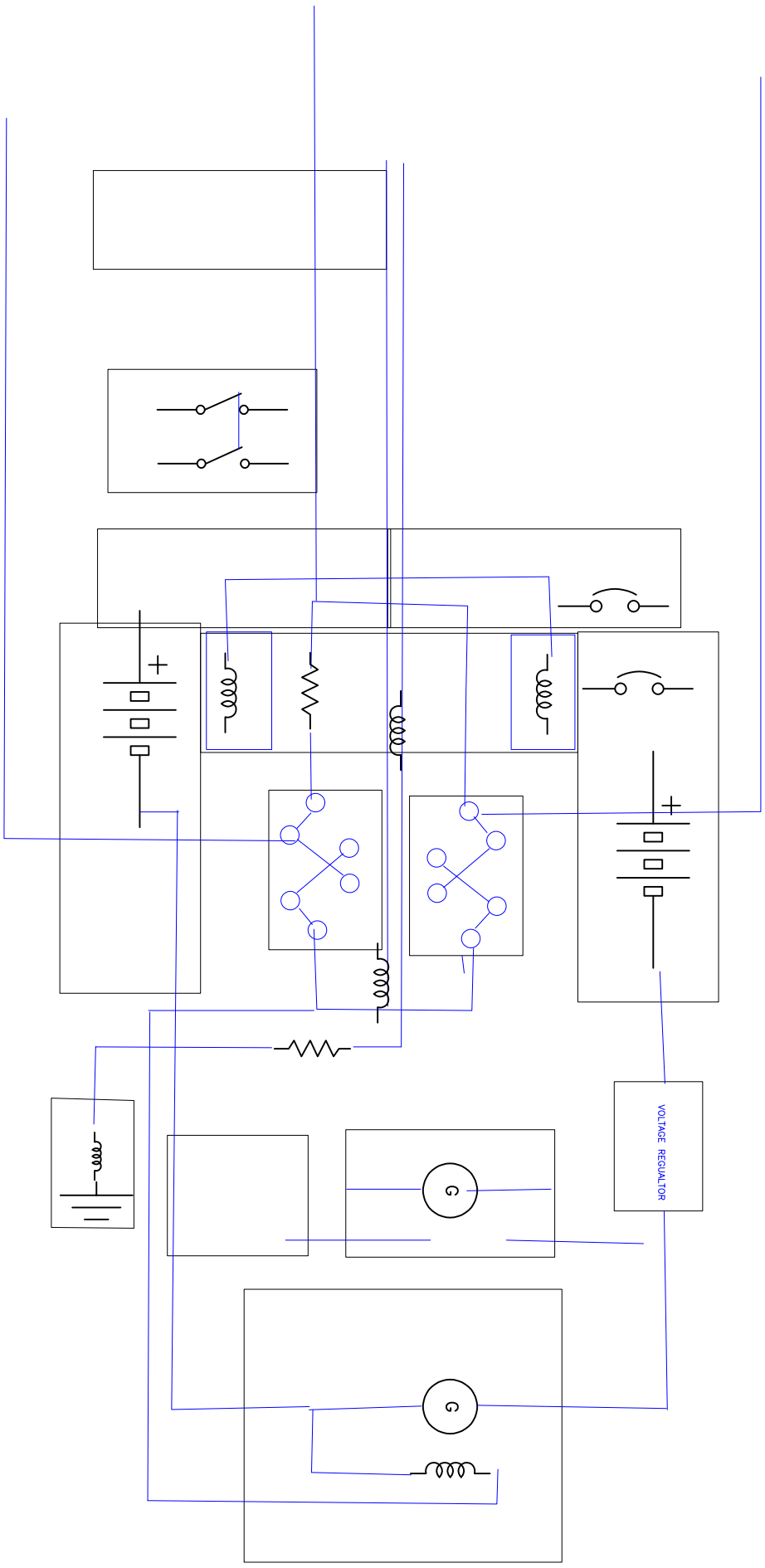
ELECTRICAL FLOOR PLAN

ROSKIN@1/5/2021

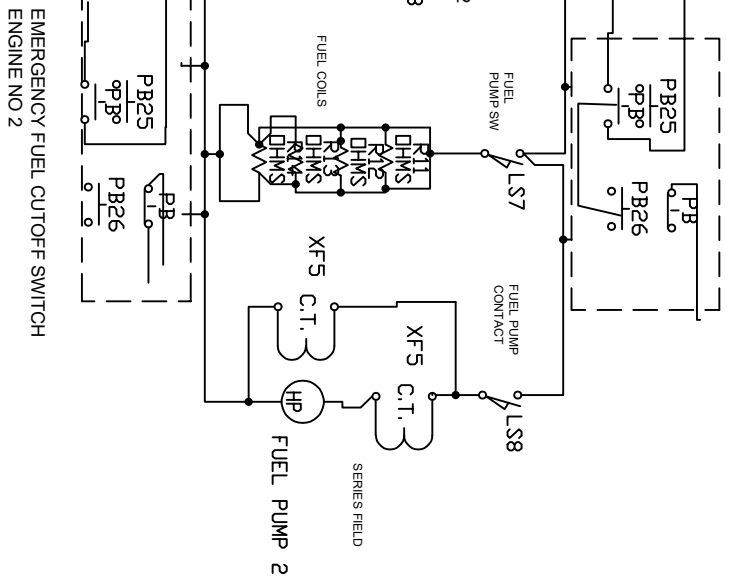
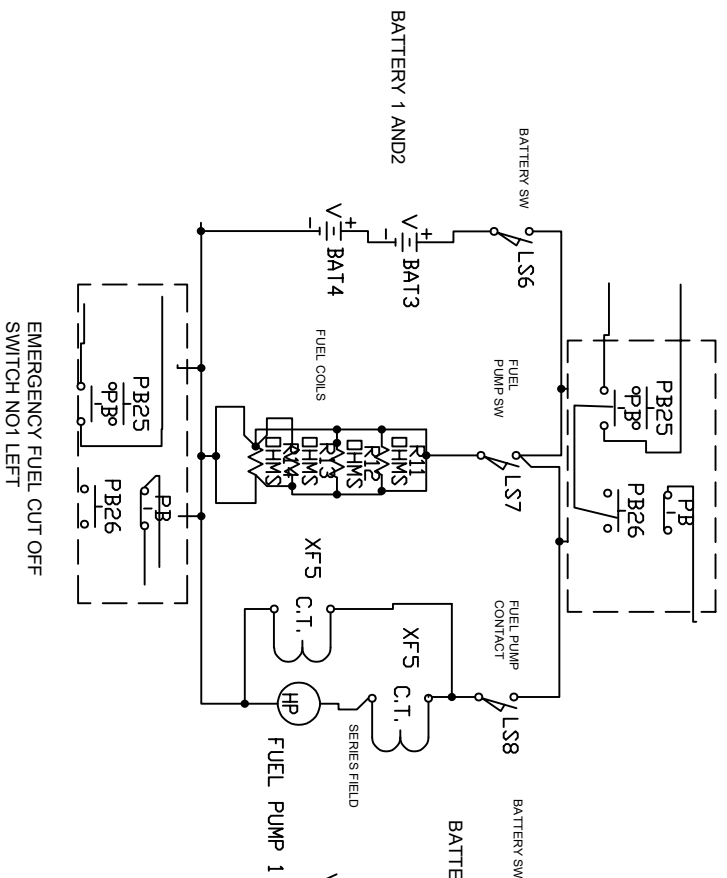
1 / 1
sheet



					
		date	name		
	design	07/07/21	ROSEMARY BRESHER	ELECTRICAL FLOOR PLAN ROSEMARY BRESHER@11/5/2021	
	check				
	drawn				
	initial				
A1	design	01/01/21		1 / 1 sheet	
001	change				

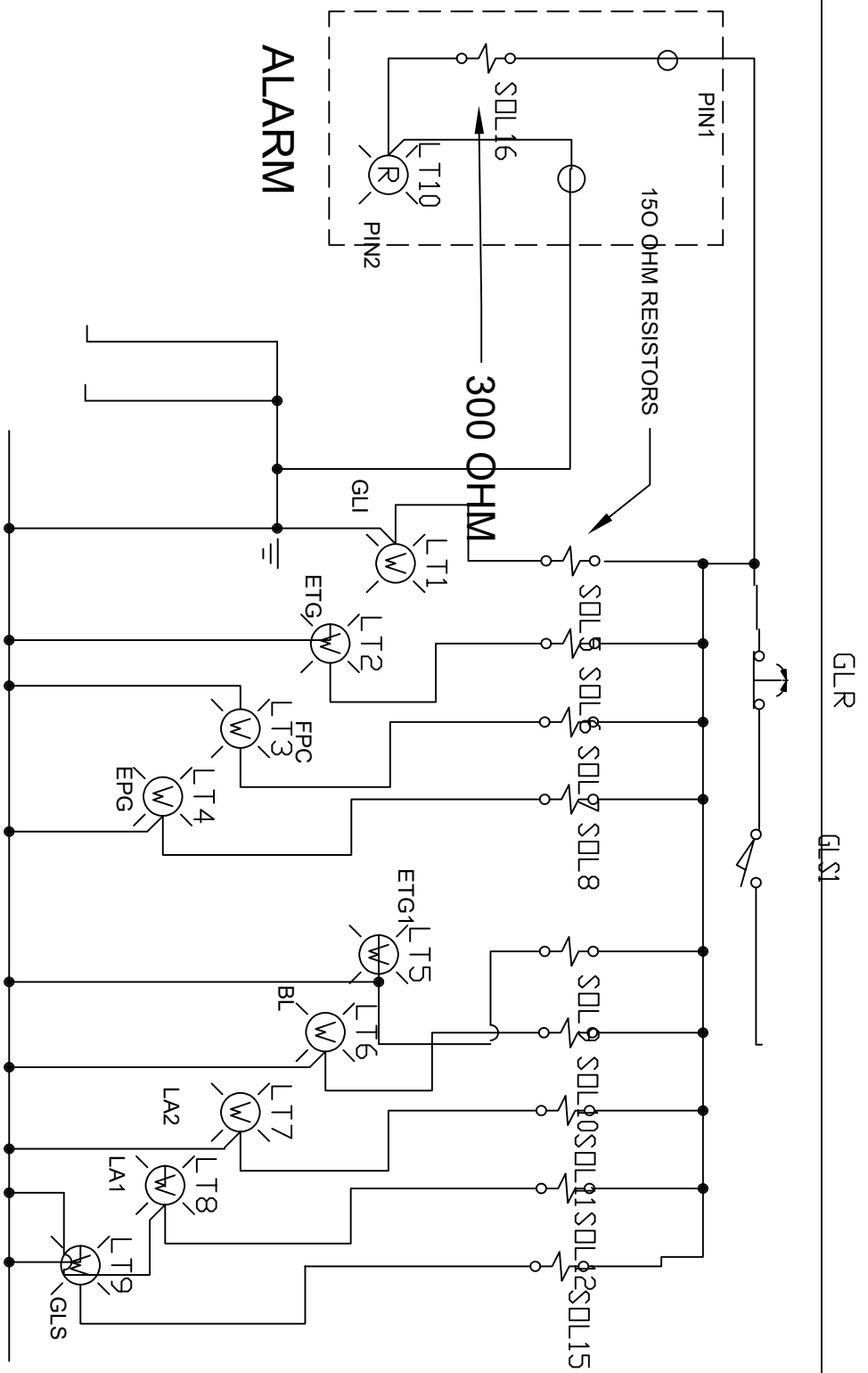


EMERGENCY FUEL CUT OFF SWITCH NO1 LEFT



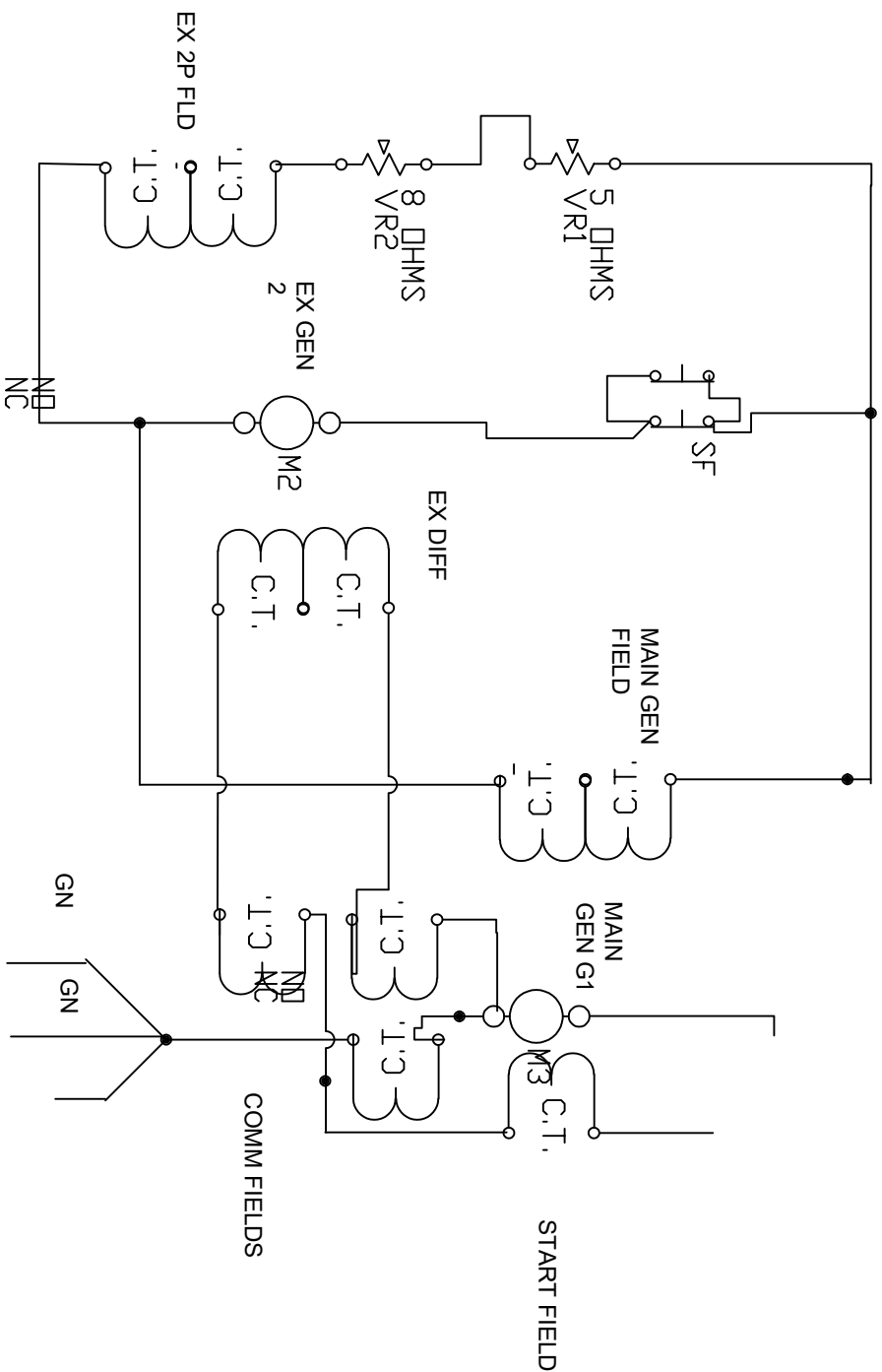
FUEL PUMP EMERGENCY CUTOFF AND STARTER FIELD FOR DIESEL ENGINE NO 1 AND NO 2

ADAM NUGENT ROSENBERGER
 JULY 15, 2022 COPYRIGHT



GAUGE LIGHT
CIRCUIT

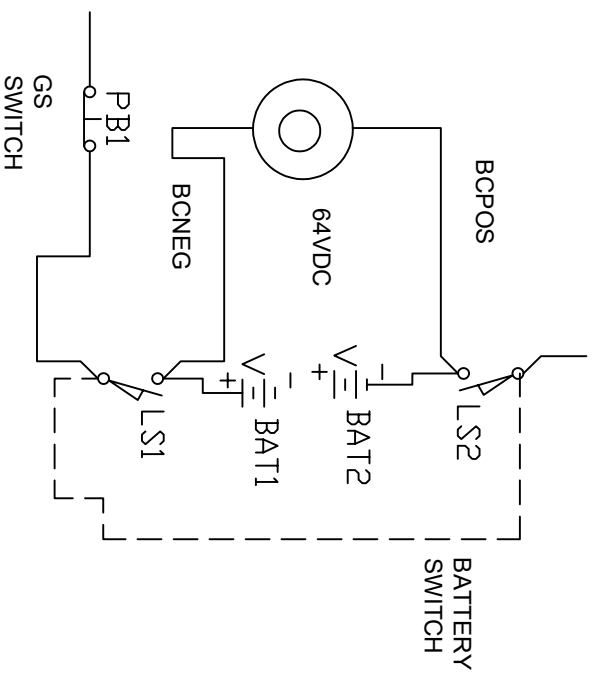
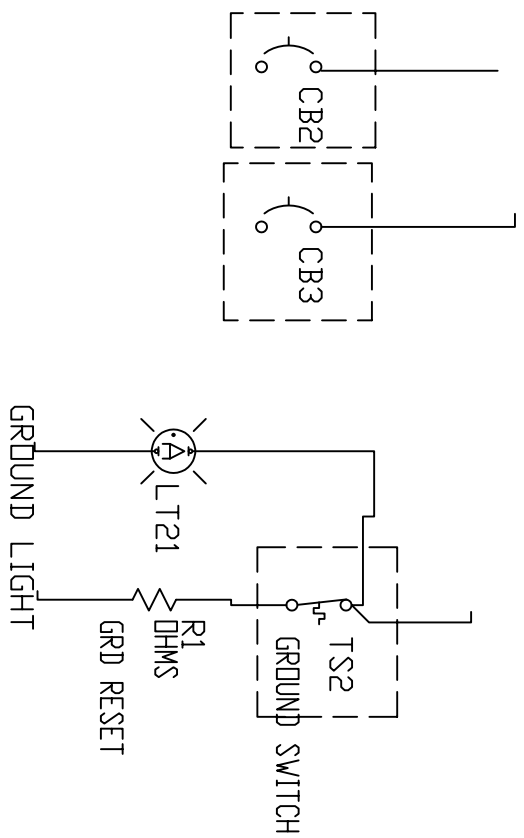
ADAM NUGENT ROSENBERGER
JULY 7, 2022 COPYRIGHT



GENERATOR FIELDS

ADAM NUGENT ROSENBERGER

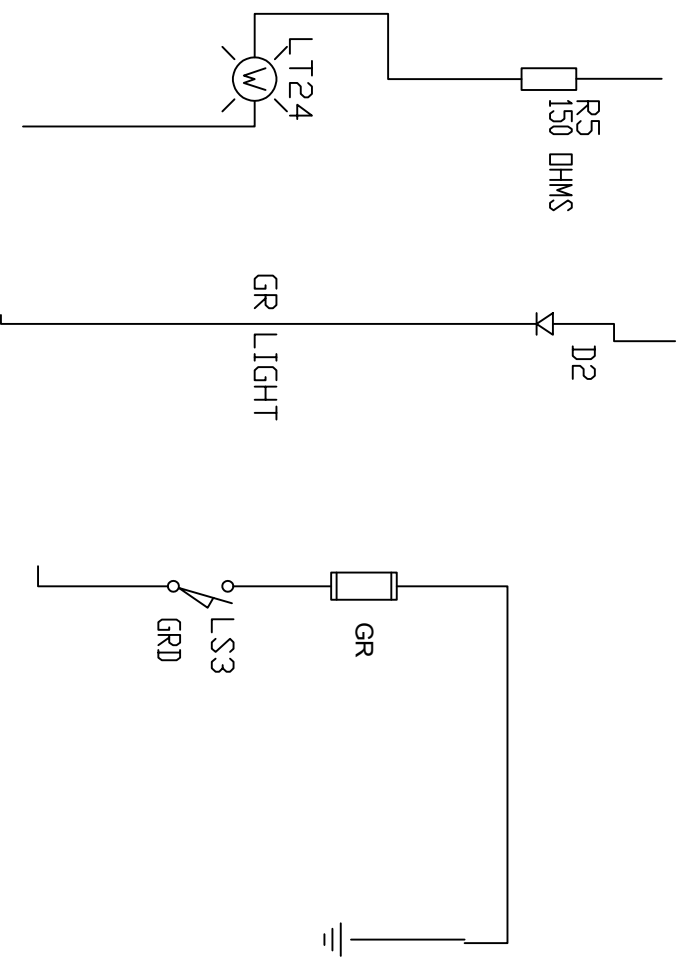
JULY 10, 2022 COPYRIGHT



GROUND/BATTERY

ADAM NUGENT ROSENBERGER

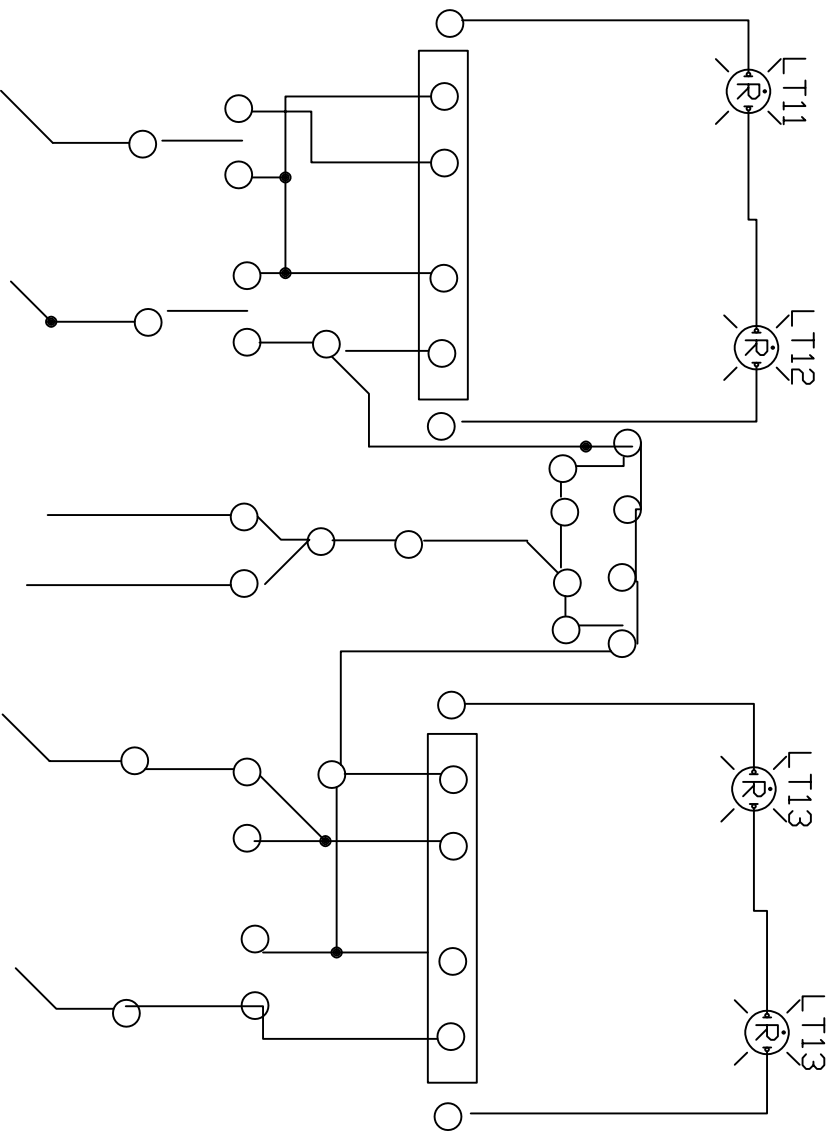
JULY 7, 2022 COPYRIGHT



GROUNDING

ADAM NUGENT ROSENBERGER

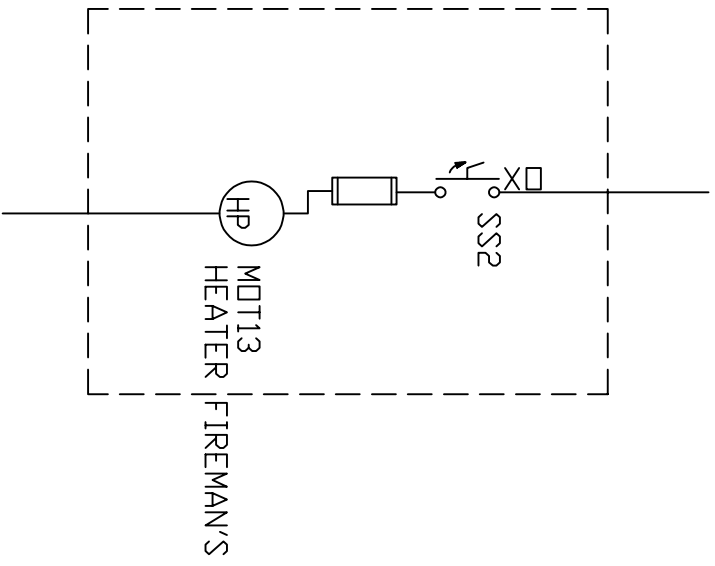
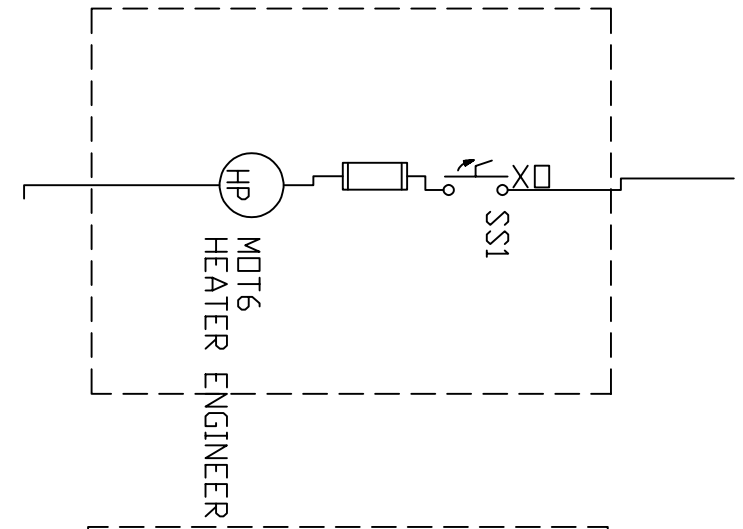
JULY 10, 2022



HEADLIGHTS CIRCUIT

ADAM NUGENT ROSENBERGER

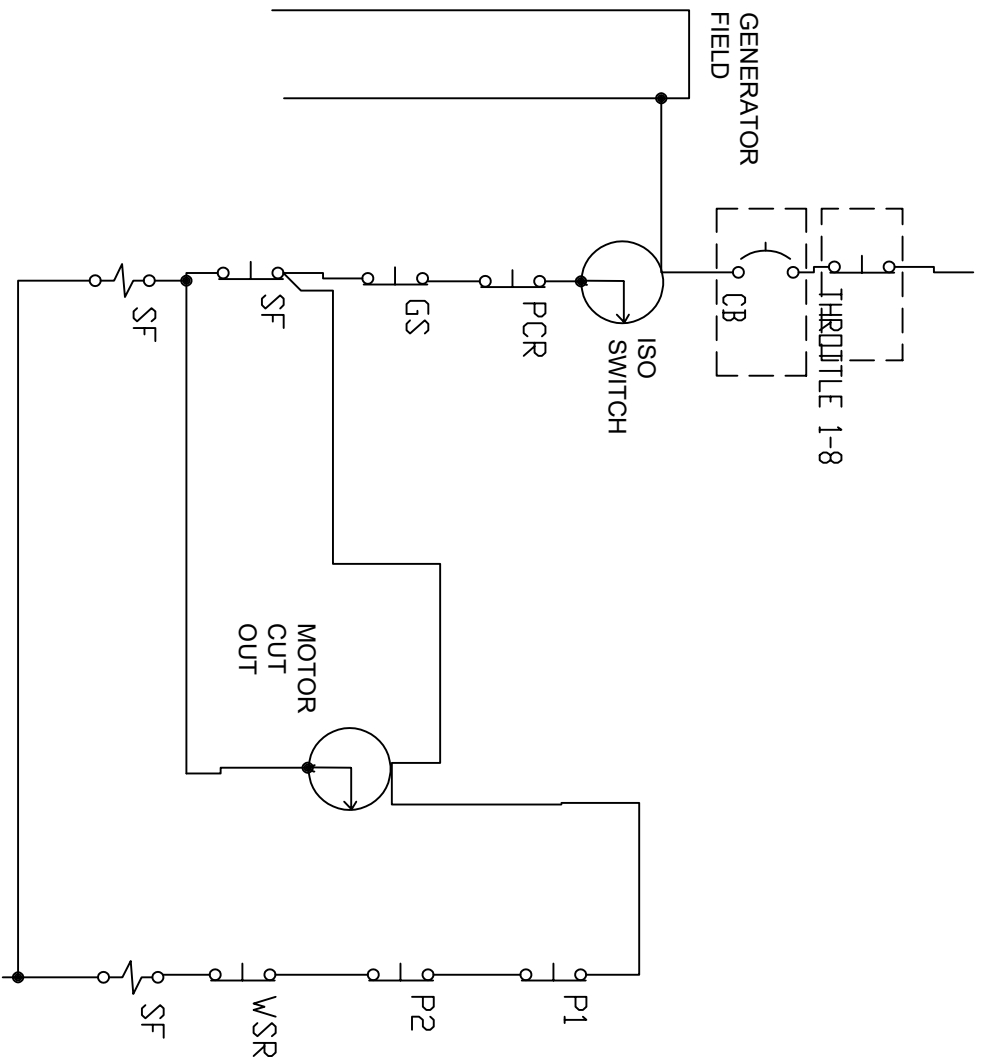
JULY 7, 2022 COPYRIGHT



HEATER CIRCUITS

ADAM NUGENT ROSENBERGER

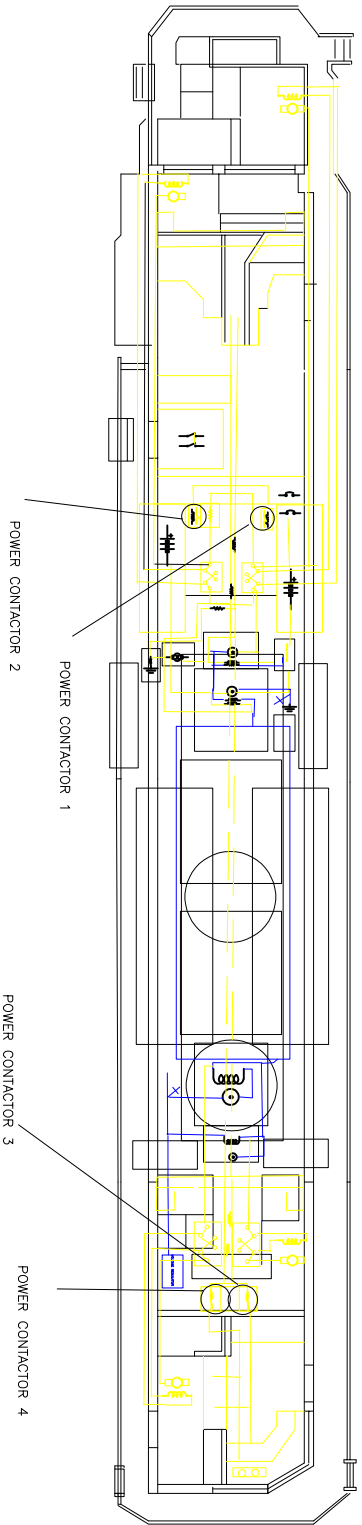
JULY 15, 2022 COPYRIGHT



ISOLATION/ MOTOR CUT OUT CIRCUITS

ADAM NUGENT ROSENBERGER

JULY 7, 2022 COPYRIGHT

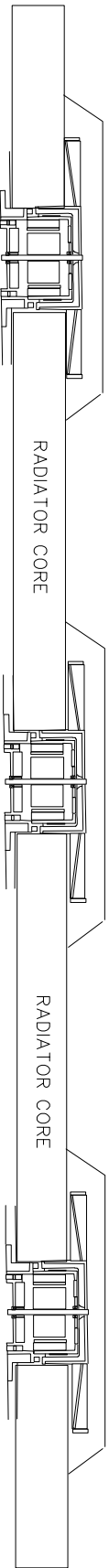
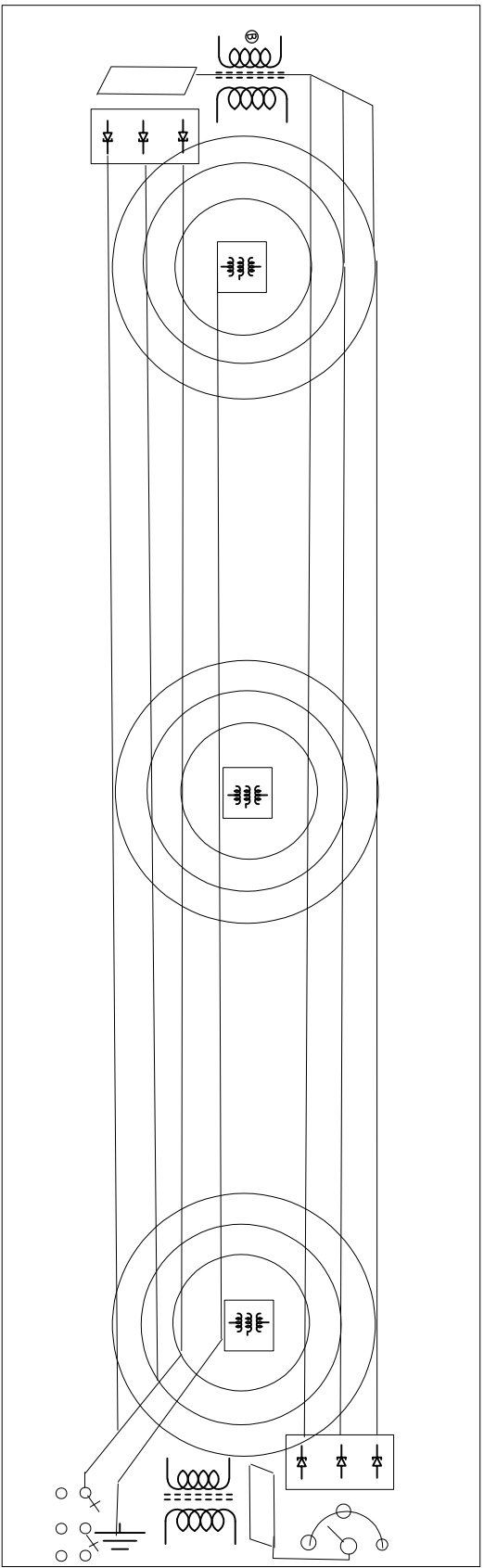


POWER CONTACTORS

RODWIN@BERGER@11/5/2021

initial	date	name	design	date	project
AT	01/01/BDII		07/01/4th		
design			check/bd		
change			auth. l/bd		
loc			dll		

1 / 1
sheet



RADIATOR SIDE OVERHEAD VIEW

date	name
07/01/04	design
	check
	auth

ADAM NUGENT ROSENBERGER.10/28/2021

loc	change	date	hand	project	replaces	replaced by	sheet
A1	Initial design	07/01/04	DDH				1/1

1

2

3

4

1

2

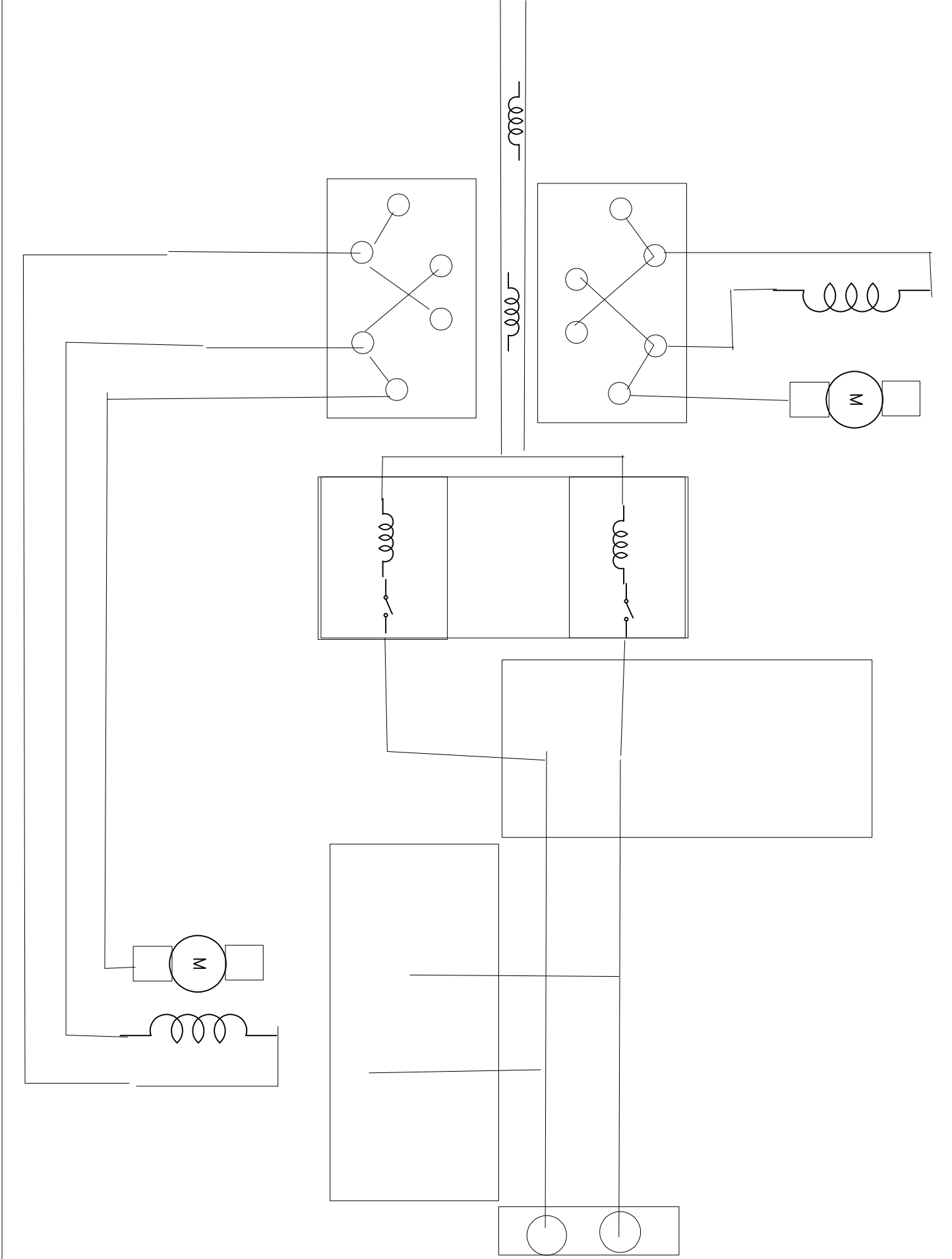
3

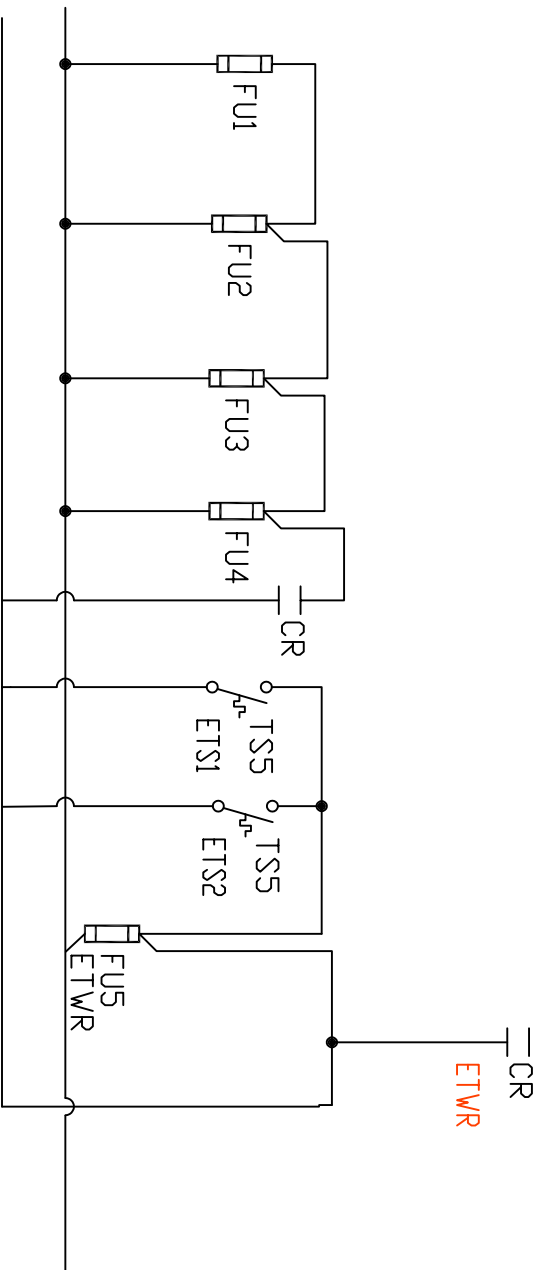
4

A

A

B

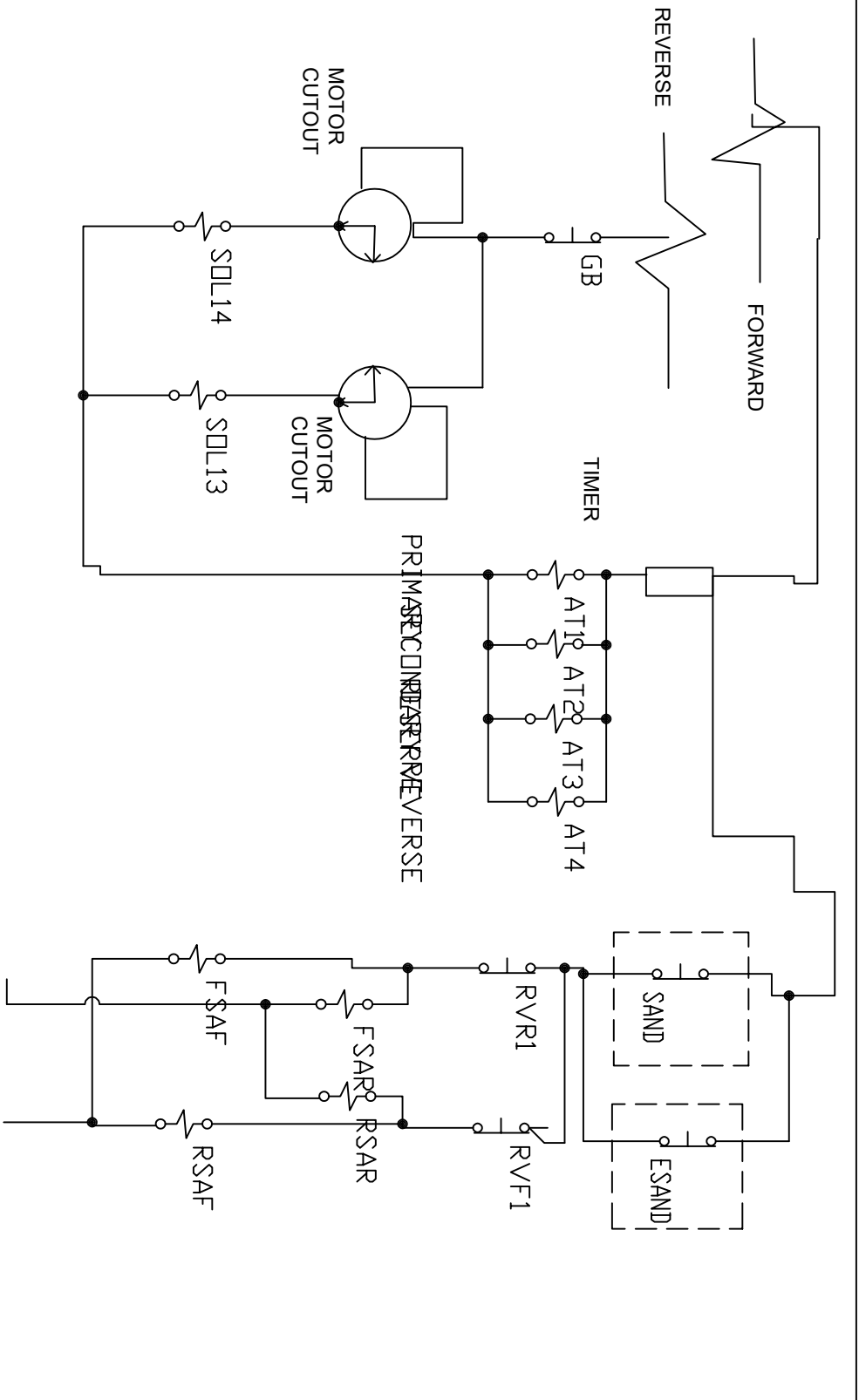




**SANDER SLIP SYSTEM
CIRCUIT**

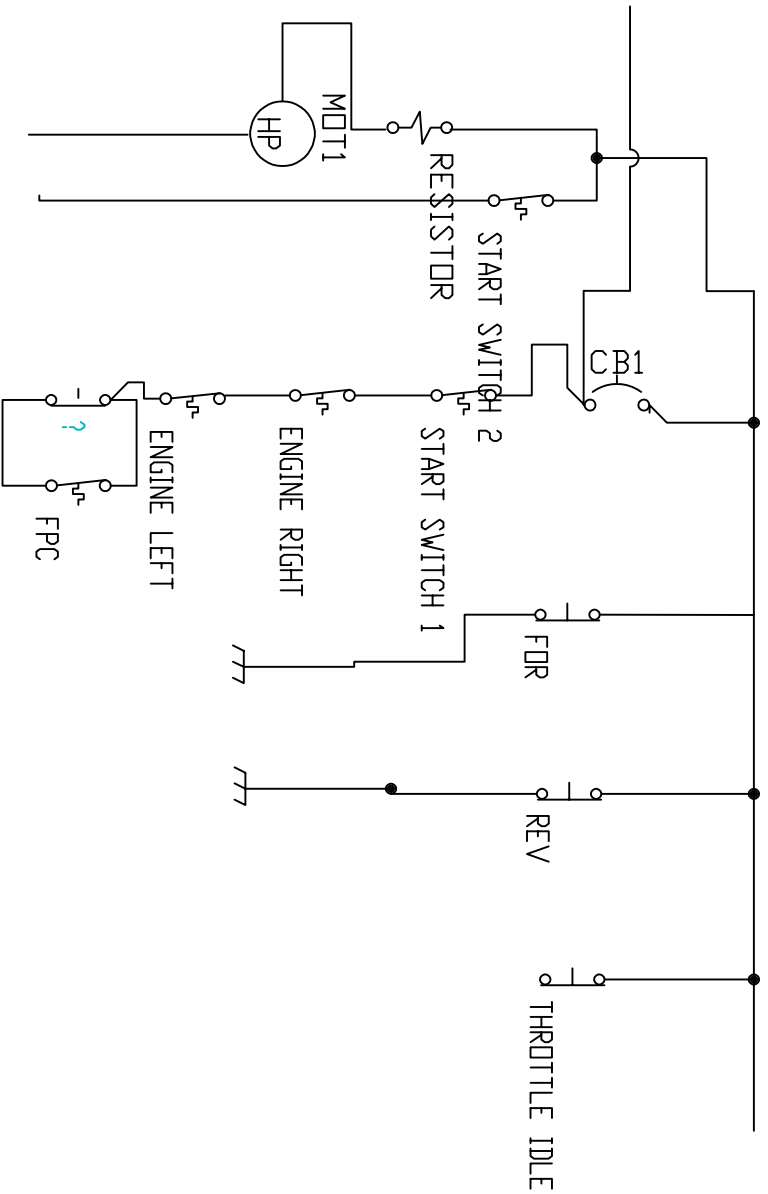
ADAM NUGENT ROSENBERGER

JULY 10, 2022 COPYRIGHT



SANDING/REV/FOR

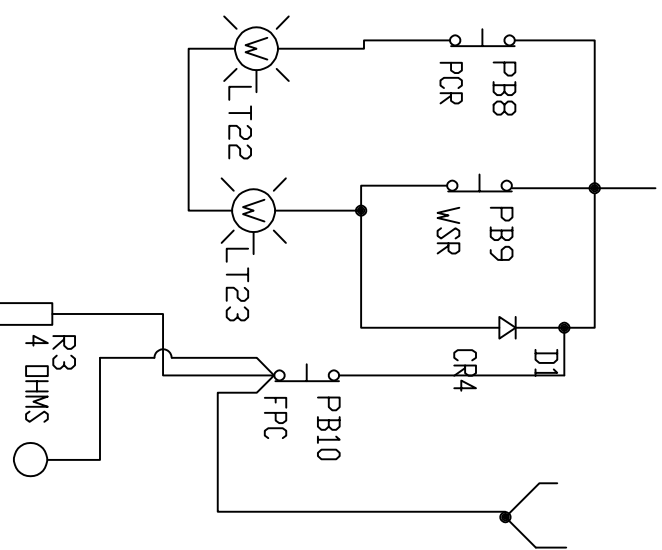
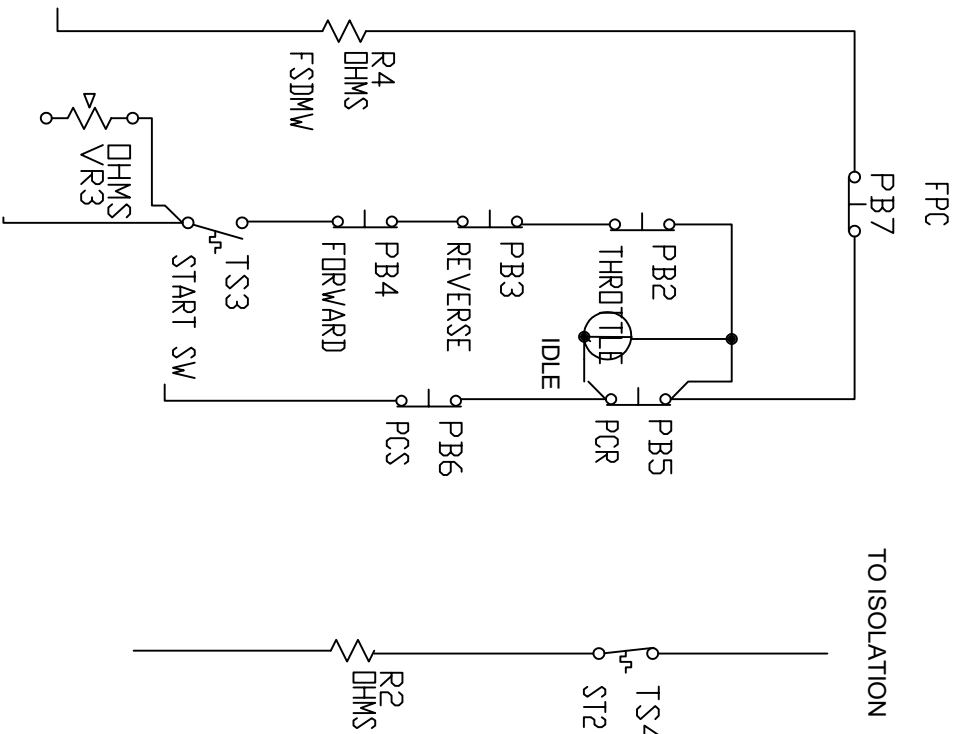
ADAM NUGENT ROSENBERGER
 JULY 7, 2022 COPYRIGHT



Starting Engine Circuit

Adam Nugent Rosenberger

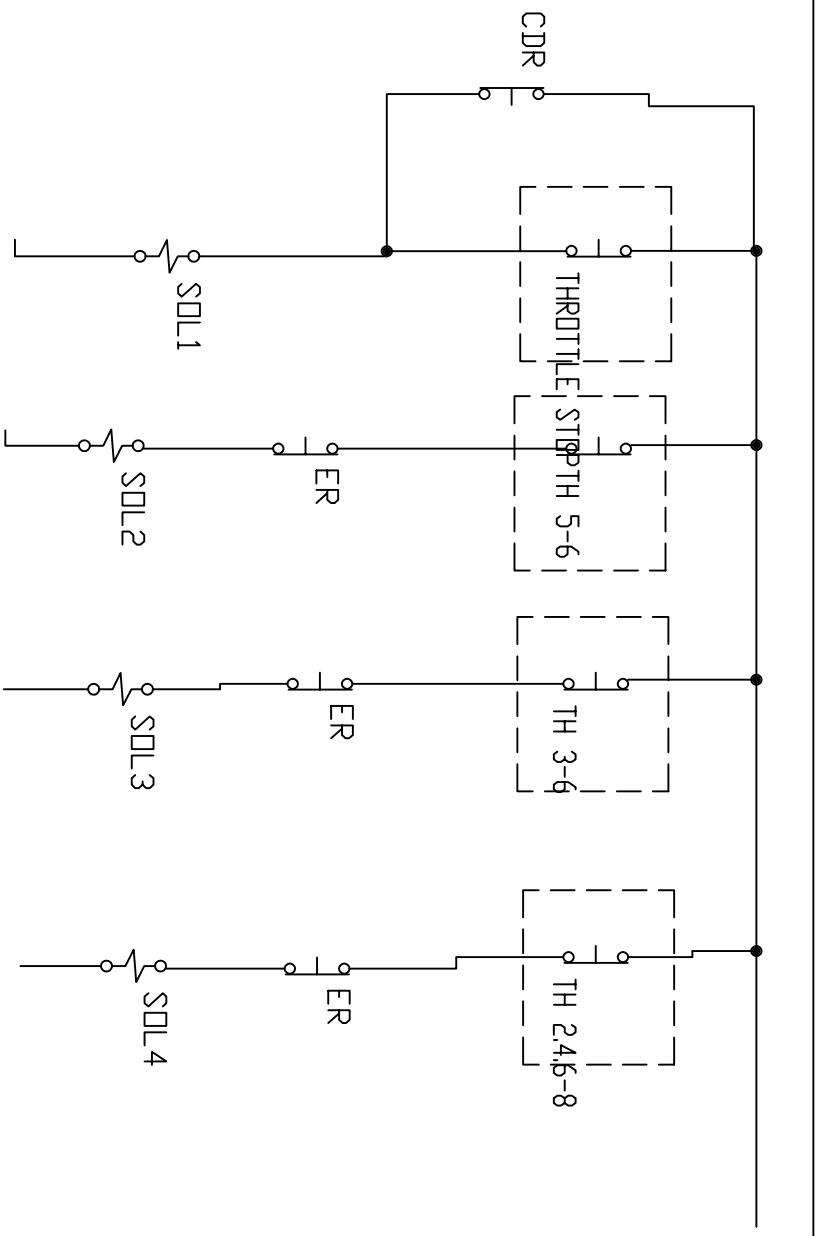
July 7, 2022 copyright



START/SHUTDOWN

START / SHUTDOWN CIRCUIT

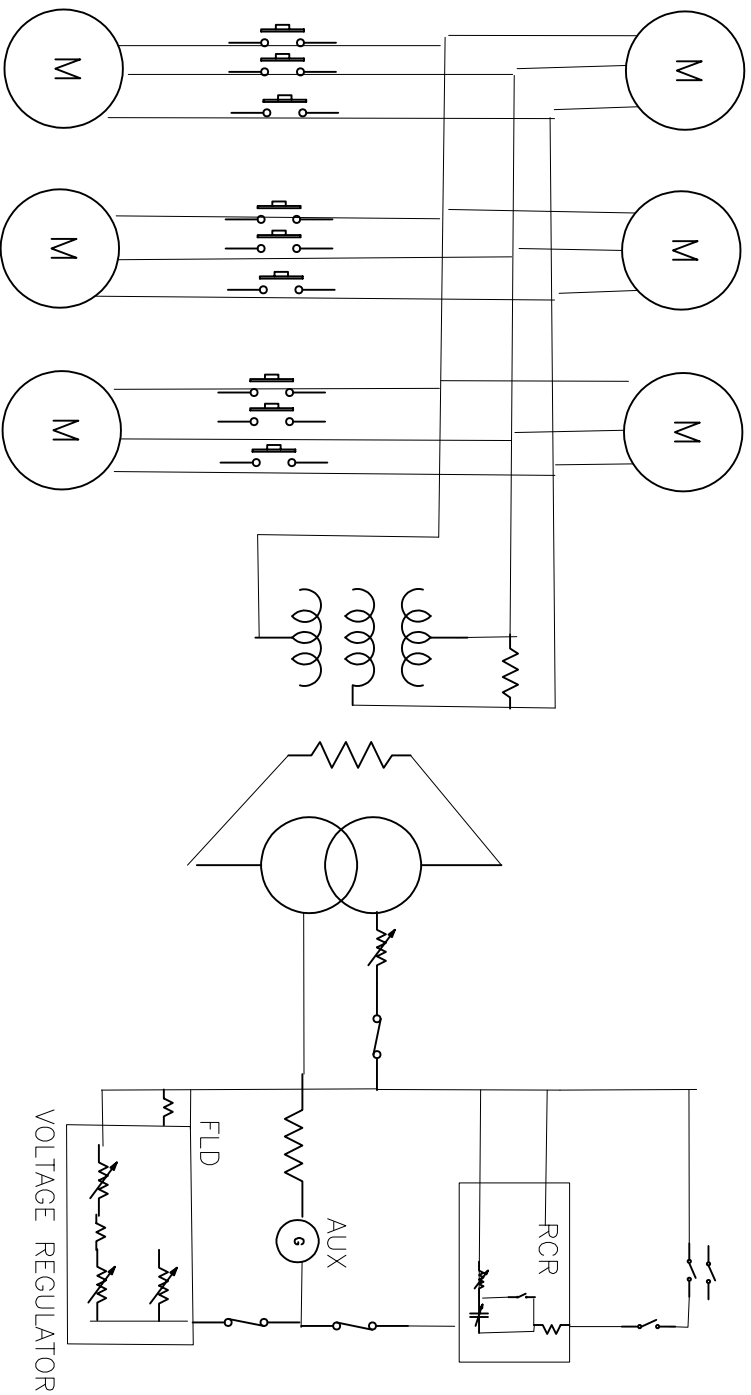
ADAM NUGENT ROSENBERGER
 JULY 10, 2022 COPYRIGHT



THROTTLE
CIRCUIT

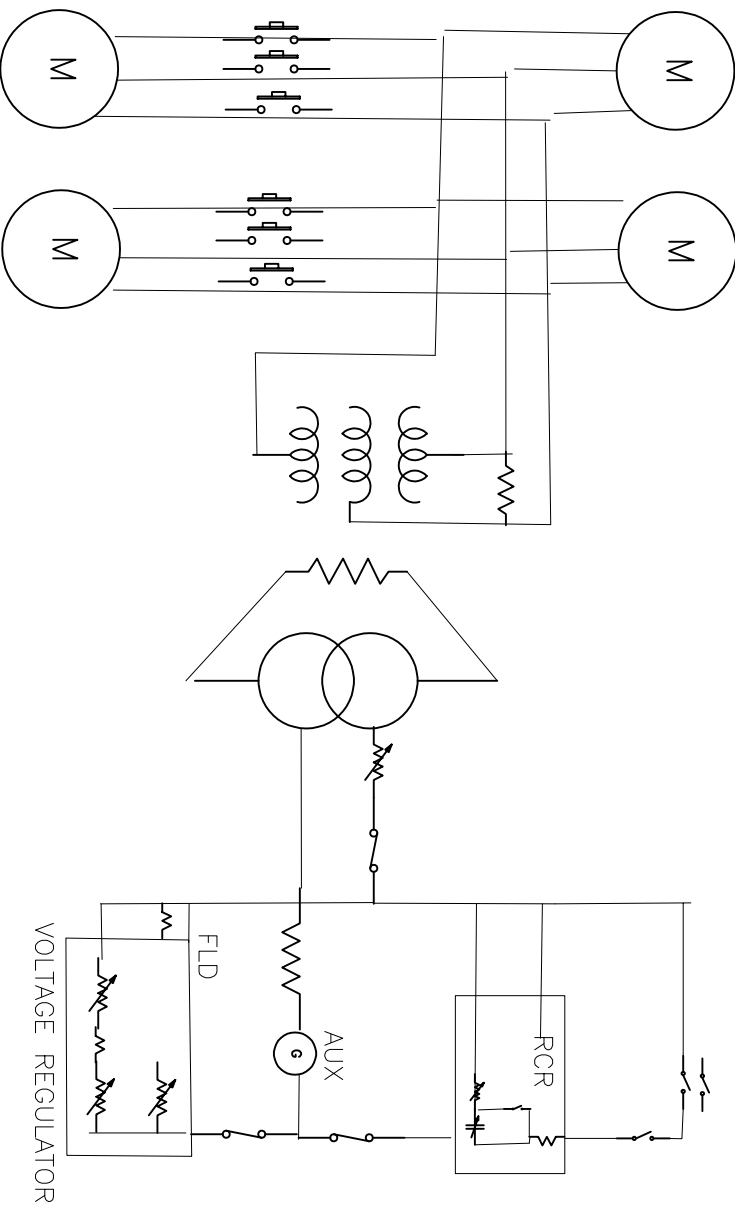
Adam Nugent Rosenberger
July 7, 2022 copyright

TRACTION BLOWER MOTOR



TRACTION BLOWER MOTOR		(mass)	
1		1	
scale 1:1		1	
TRACTION BLOWER MOTOR		ADAM NUGENT ROSENBERGER@10/27/2021	
name		date	
design		07/01/2021	
checked		dli	
auth. by		dli	
initial		name	
A1		part	
design		DDOONN	
change		number	
loc		replaces	
date		by	
07/01/2021		DDOONN	
name		1/1	
project		sheet	
project		1/1	

TRACTION BLOWER MOTOR



initial		date		name	
design		07/07/2021		ADAM NUGENT ROSENBERGER@10/27/2021	
checked		dli		dli	
auth. by		dli		dli	
project		project		project	
part number		part number		part number	
replaces		replaces		replaces	
by		by		by	
DDOONN		DDOONN		DDOONN	
1/1		1/1		1/1	
sheet		sheet		sheet	

scale 1:1 (inches)

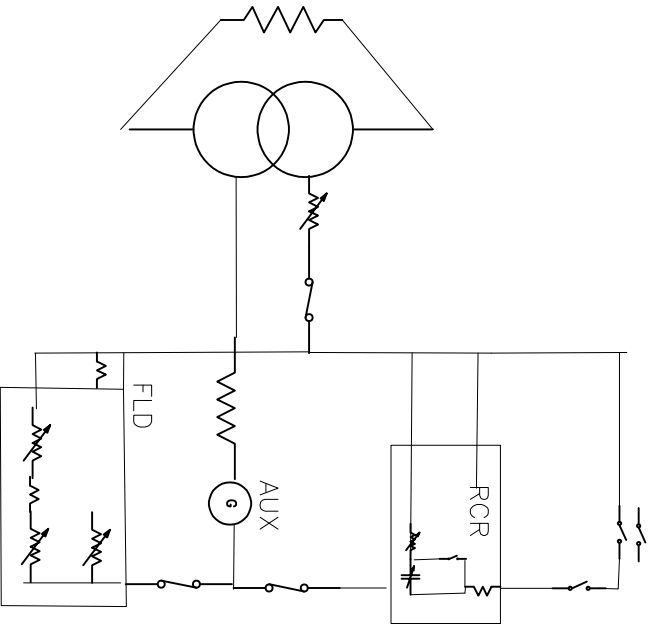
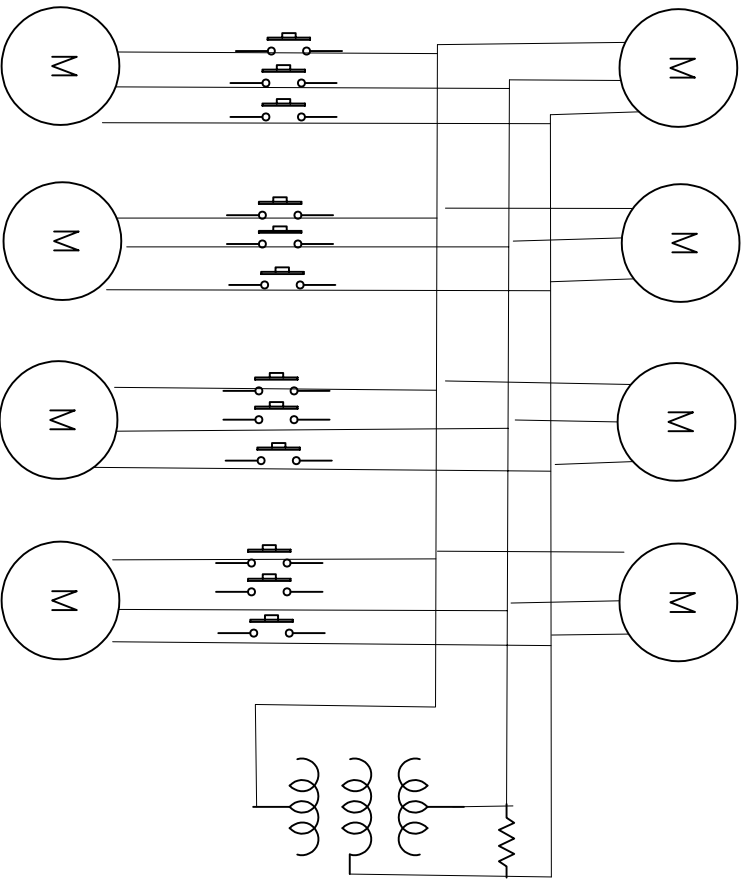
TRACTION BLOWER MOTOR

ADAM NUGENT ROSENBERGER@10/27/2021




DDOONN

1/1 sheet

TRACTION BLOWER MOTOR



VOLTAGE REGULATOR

					
TRACTION BLOWER MOTOR		TRACTION BLOWER MOTOR		TRACTION BLOWER MOTOR	
ADAM NUGENT ROSENBERGER®10/27/2021		ADAM NUGENT ROSENBERGER®10/27/2021		ADAM NUGENT ROSENBERGER®10/27/2021	
date		date		date	
design		design		design	
checked		checked		checked	
auth.		auth.		auth.	
part		part		part	
name		name		name	
initial		initial		initial	
design		design		design	
initial		initial		initial	
loc		loc		loc	
change		change		change	
date		date		date	
number		number		number	
replaces		replaces		replaces	
by		by		by	
sheet		sheet		sheet	

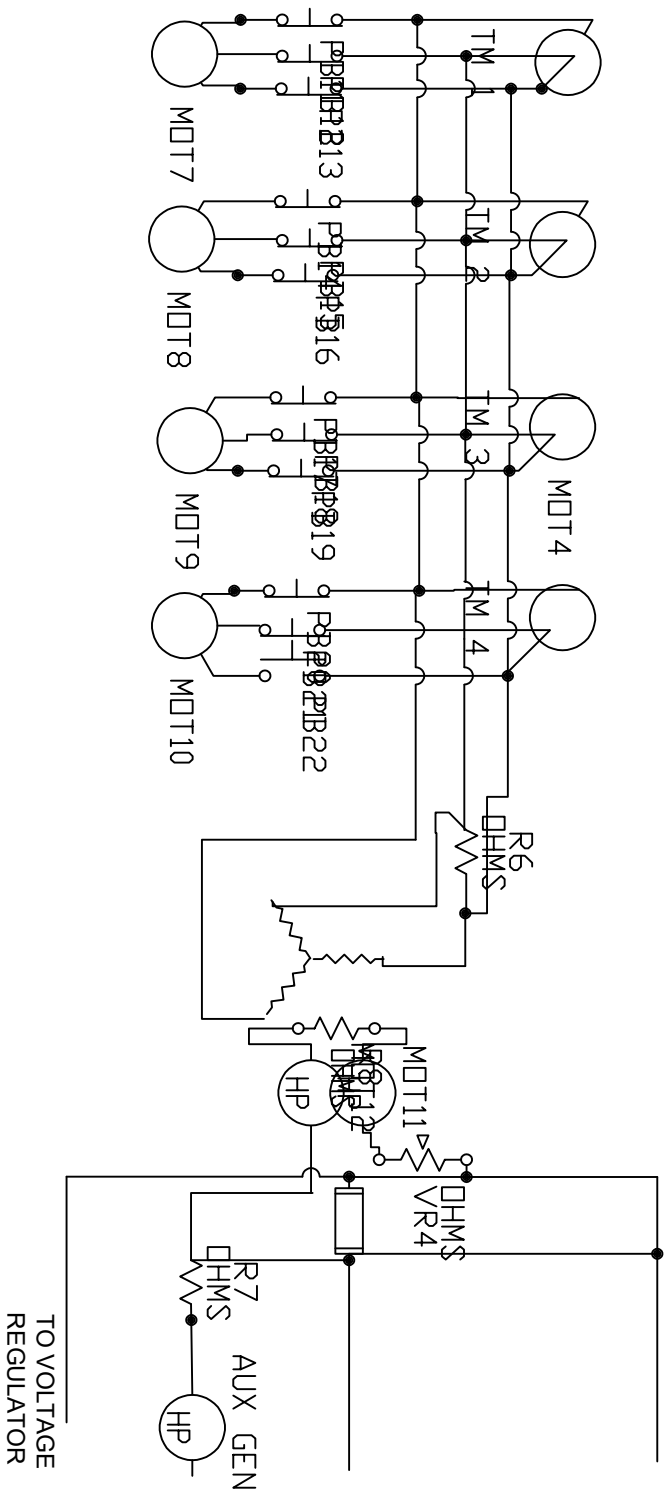
scale 1: (mass)

1

2

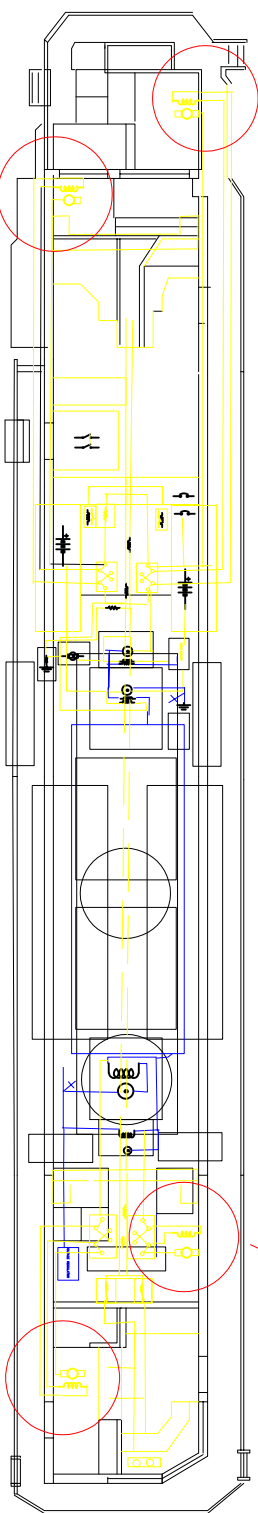
3

4



**TRACTION MOTOR
BLOWER CIRCUIT**

ADAM NUGENT ROSENBERGER
JULY 15, 2022 COPYRIGHT



TRACTION MOTOR 1

TRACTION MOTOR 3

TRACTION MOTOR 2

TRACTION MOTOR 4

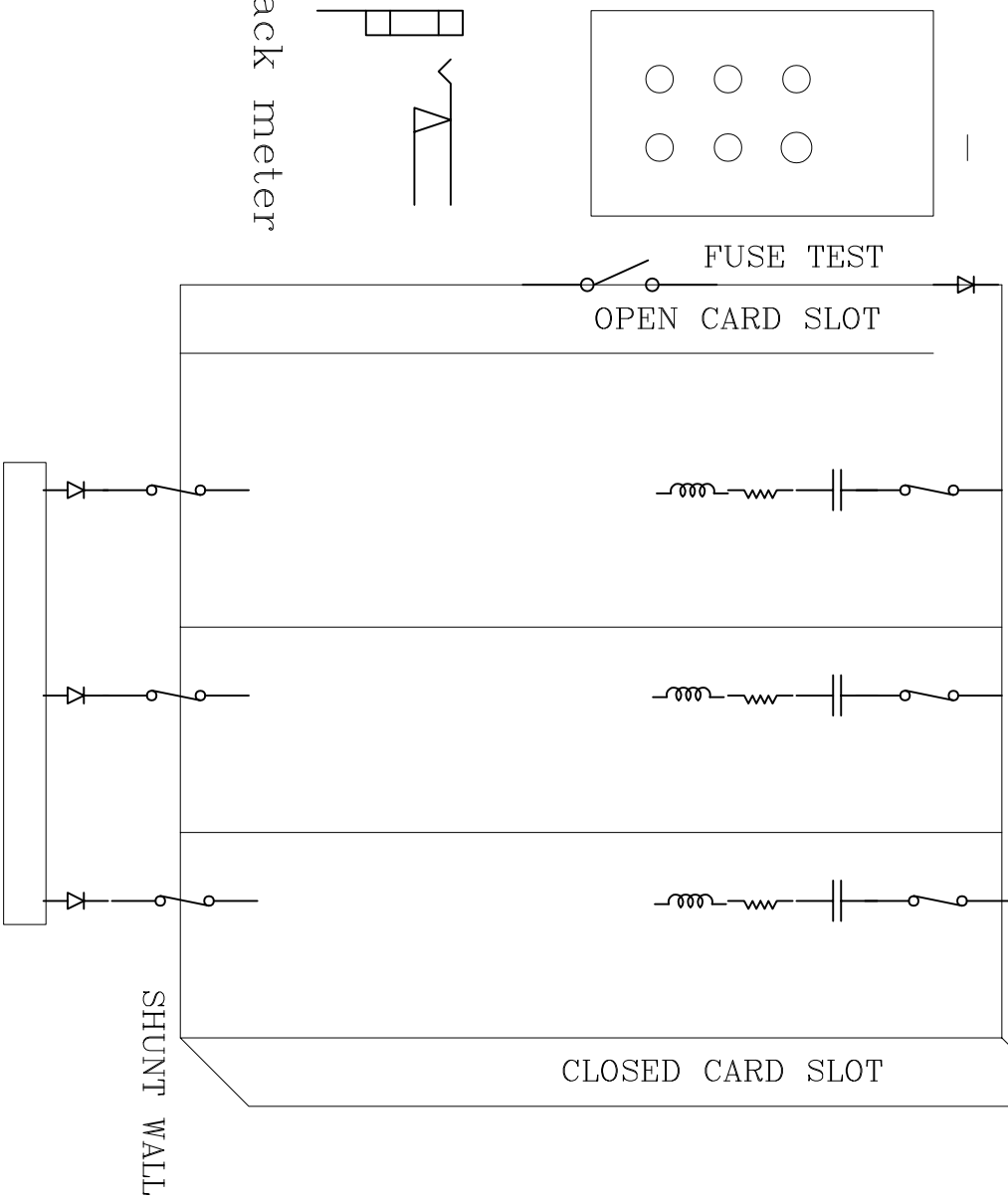
TRACTION MOTORS

RODOLPH BERGER © 11/5/2021

initial	date	name	design	check	auth.	tbl	dll	
AI	01/01/2021	BDII						
change								
loc							home	project

1 / 1
sheet

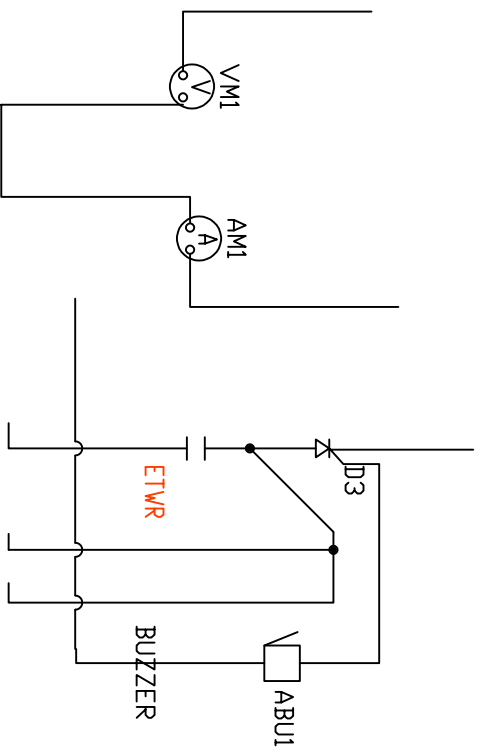
WHEATSTONE RECTIFIER BRIDGE ON FUSE TEST
+ and



jack meter

TRANSITION PANEL RELAY

ADAM NUGENT ROSENBERGER © DECEMBER 4 2020

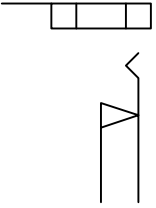
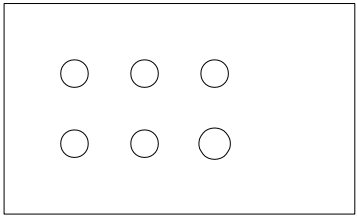


VOLT AND SERVICE METER
ENGINE TEMP WARNING SYSTEM

ADAM NUGENT ROSENBERGER

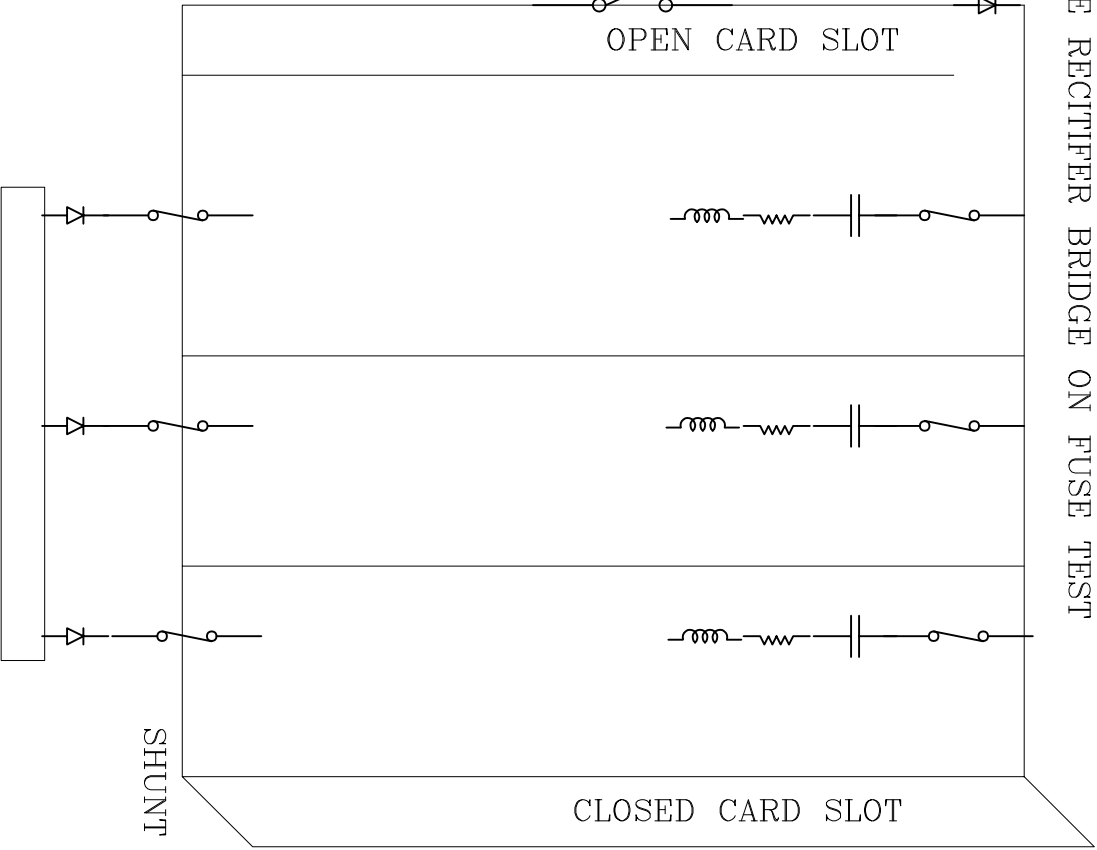
JULY 10, 2022 COPYRIGHT

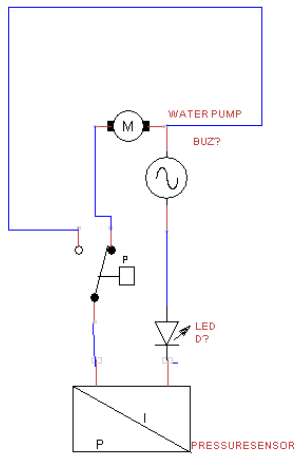
WHEATSTONE RECTIFIER BRIDGE ON FUSE TEST
+ and -



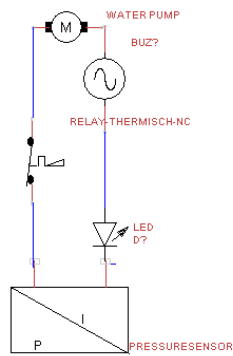
jack meter

FUSE TEST
OPEN CARD SLOT

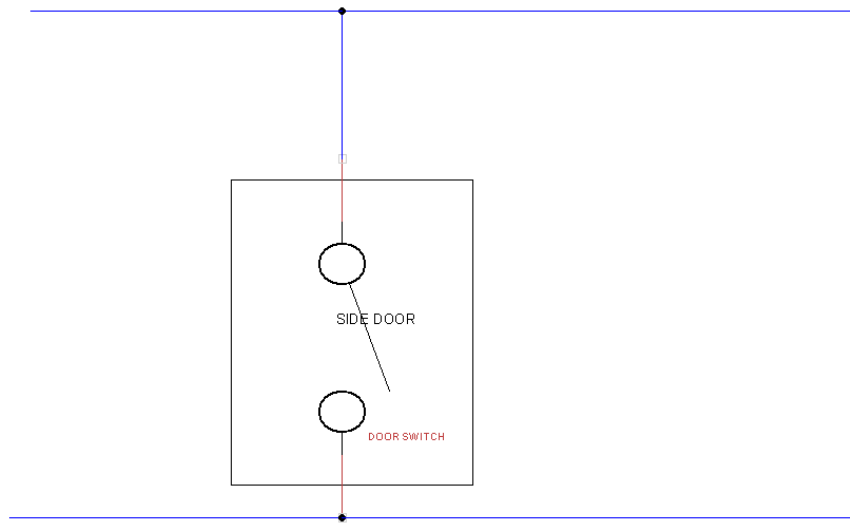




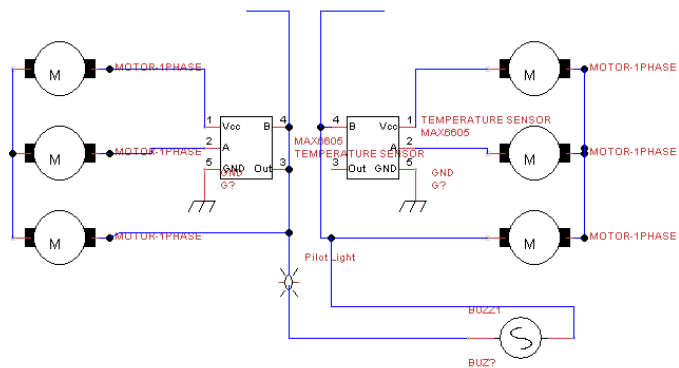
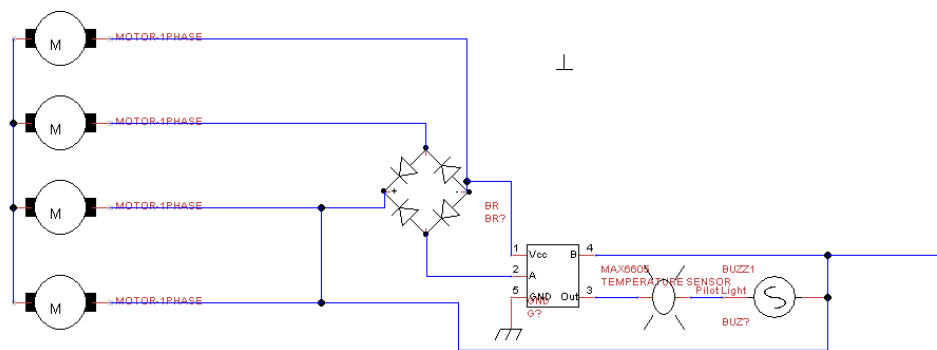
Title			SHUTDOWN LOW WATER FLOW		
Author			ADAM NUGENT ROSNEBERGER		
File		LOW WATER FLOW DUAL TROW SWITCH.dsn		Document	
Revision	1.0	Date	APRIL 25 2022	Sheets	1 of 1



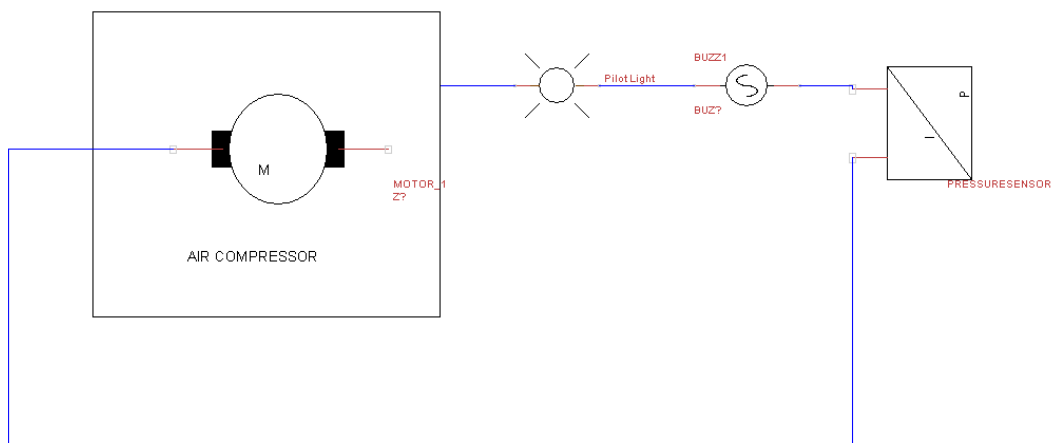
Title			SHUTDOWN LOW WATER FLOW
Author			ADAM NUGENT ROSNEBERGER
File		Document	
\Adam ... SHUTDOWN LOW WATER FLOW.dsn			
Revision	Date	APRIL 25 2022	Sheets
1.0			1 of 1



Title	SIDE DOOR OPEN	
Author	ADAM NUGENT ROSENBERGER	
File	J:\Users\Adam\Desktop\... SIDE DOOR OPEN.dsn	Document
Revision	Date	Sheets
1.0	APRIL 25, 2022	1 of 1



Title 4 AND 6 BOOGIE TRACTION MOTOR TEMP PROTECTION	
Author ADAM NUGENT ROSENBERGER	
File ers\Ad ... TRACTION MOTOR PROTECTION.dsn	Document
Revision 1.0	Date APRIL 26, 2022 Sheets 1 of 1



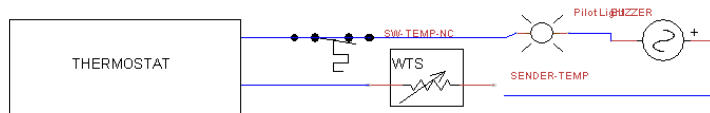
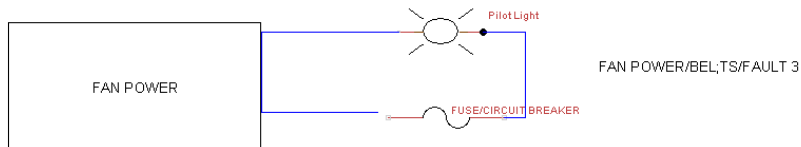
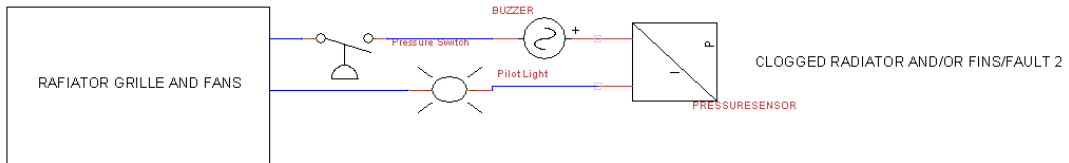
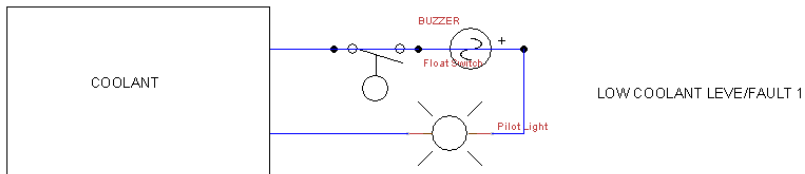
FAULT CODE 1 LEAK AIR HOSE OR GASKET

FAULT CODE 2 ANGLE OR DRAIN COCK LEAK

FAULT CODE 3 CHECK COMPRESSOR VAVLE BAD

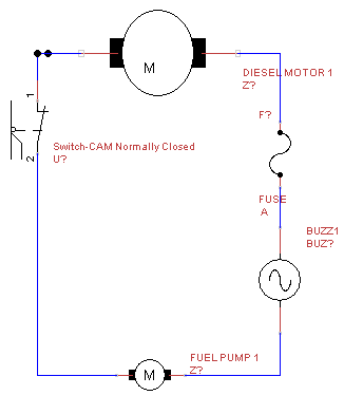
Title AIR COMPRESSOR FAILS TO PUMP AIR		
Author ADAM NUGENT ROSENBERGER		
File ... AIR COMPRESSOR FAILS TO PUMP AIR.dsn		Document
Revision 1.0	Date APRIL 26, 2022	Sheets 1 of 1

ENGINE OVERHEATING

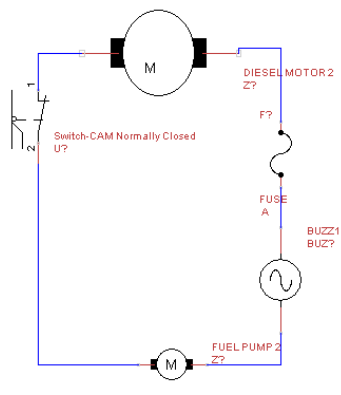


TEMPERATURE CONTROL AND/OR DEFECTIVE THERMOSTAT FAULT 4 AND 5

Title		ENGINE OVERHEATING	
Author		ADAMNUGENT ROSENBERGER	
File		sers\Adam\Desk ... ENGINE OVERHEATING.dsn	
Revision		Date	
1.0		APRIL 26, 2022	
Document		Sheets	
		1 of 1	



ENGINE OVERSPEED TRIPPED



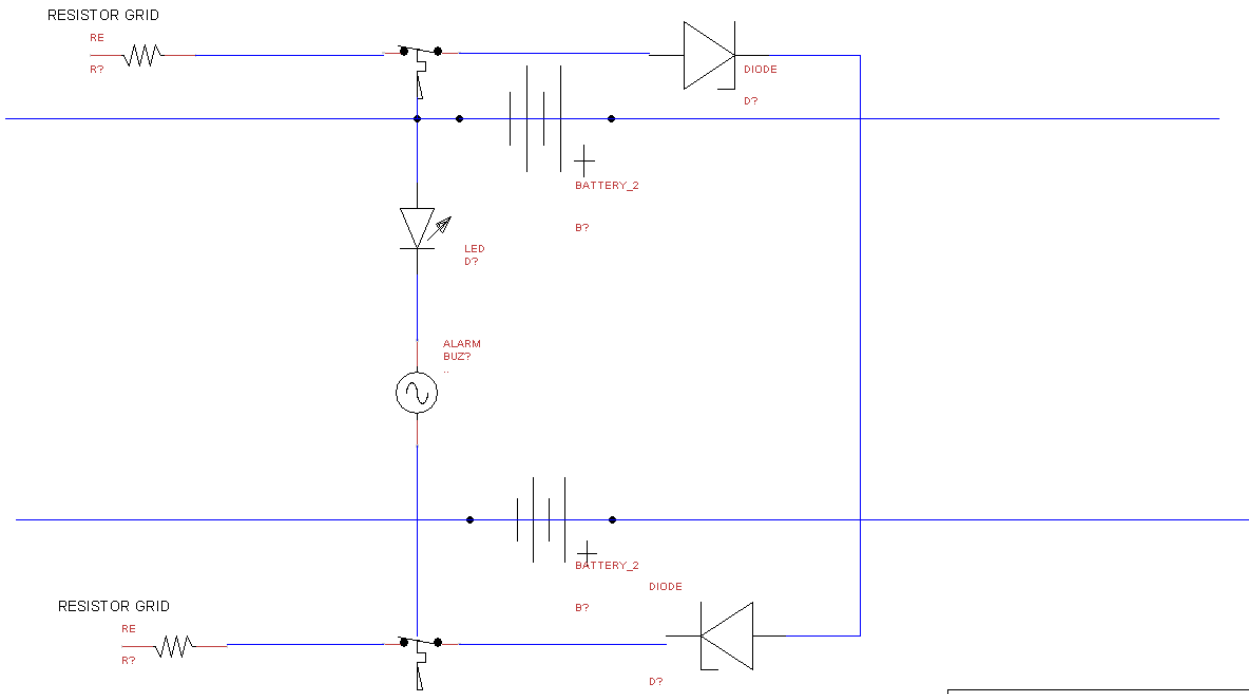
ENGINE OVERSPEED TRIPPED

FAULT CODE ENIGNE FAILS TO START

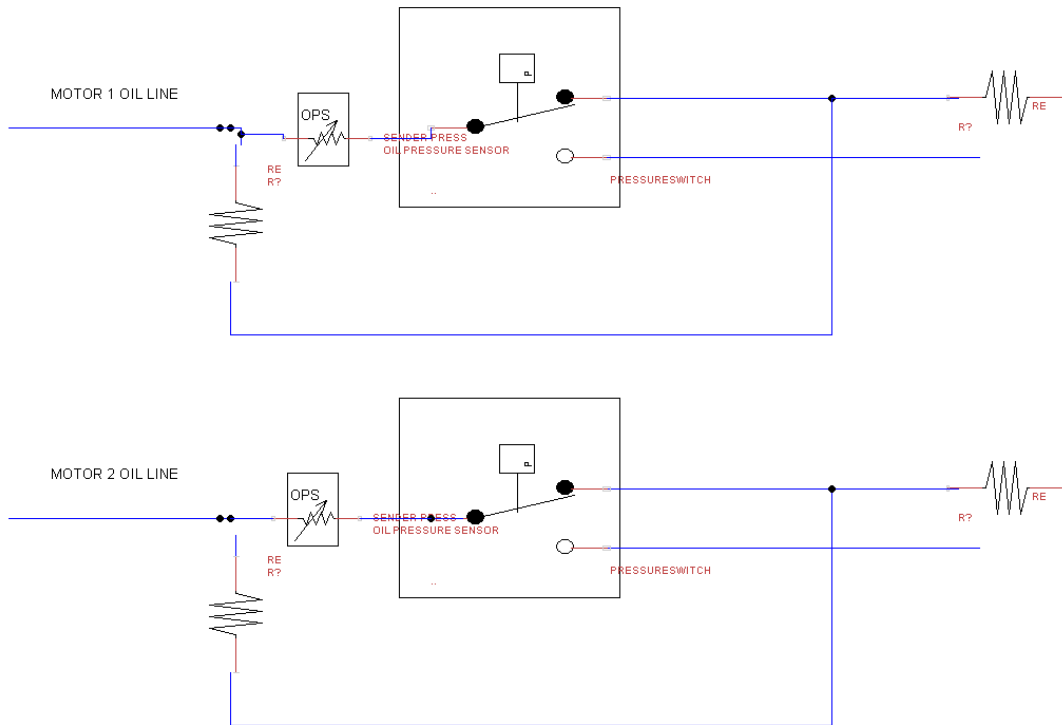
FAULT CODE 2 ENGINE STOPS WHILE IN OPERATION

FAULT CODE 3 CRANKS BUT FAILS TO START

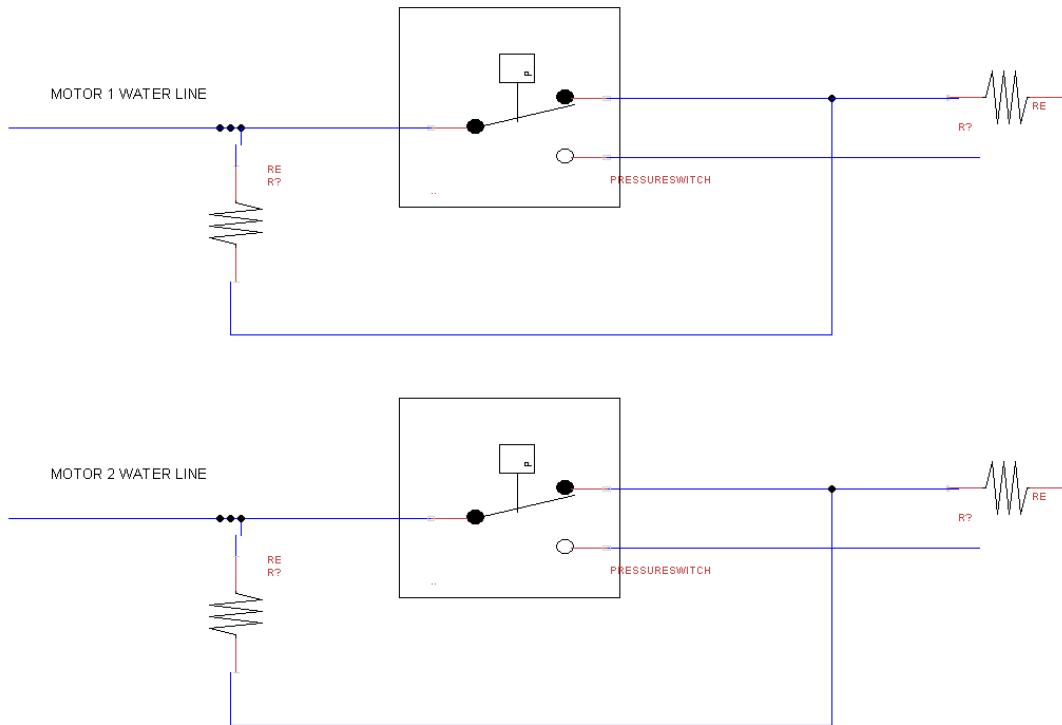
Title		ENGINE OVERSPEED TRIPPED	
Author		ADAM NUGENT ROSENBERGER	
File		ers\Ada... ENGINE OVERSPEED TRIPPED.dsn	
Revision		Date	APRIL 26, 2022
1.0		Sheets	1 of 1



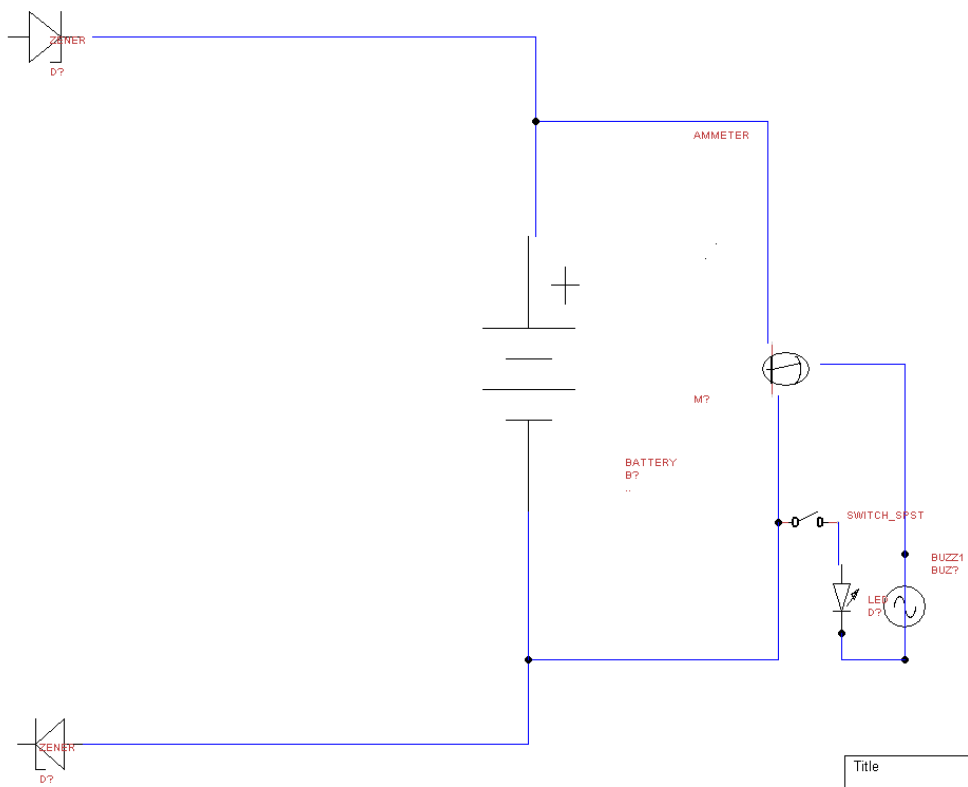
Title			HOT DIODES		
Author			ADAM NUGENT ROSENBERGER		
File		ser ... HOT DIODES FROM RESISTOR GRID.dsn		Document	
Revision	Date	APRIL 25, 2022		Sheets	1 of 1
1.0					



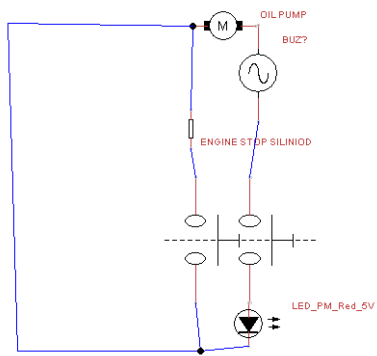
Title		LOW OIL PRESSURE	
Author		ADAM NUGENT ROSENBERGER	
File		sers\Adam\Desкто ... LOW OIL PRESSURE.dsn	
Revision	Date	Document	Sheets
1.0	APRIL 25, 2022	LOW OIL PRESSURE	1 of 1



Title			LOW WATER PRESSURE
Author			ADAM NUGENT ROSENBERGER
File		rs\Adam\Desk ...	LOW WATER PRESSURE.dsn
Revision		1.0	Document
Date		APRIL 25, 2022	Sheets
			1 of 1



Title		NO BATTERY CHARGE	
Author		ADAM NUGENT ROSENBERGER	
File		Document	
sers\Adam\Deskt ... NO BATTERY CHARGE.dsn			
Revision	Date	APRIL 25, 2022	Sheets
1.0			1 of 1



Title SHUTDOWN LOW OIL PRESSURE		
Author ADAM NUGENT ROSNEBERGER		
File	Document	
W OIL PRESSURE DUAL TROW SWTICH 2.dsn		
Revision	Date	Sheets
1.0	APRIL 25 2022	1 of 1