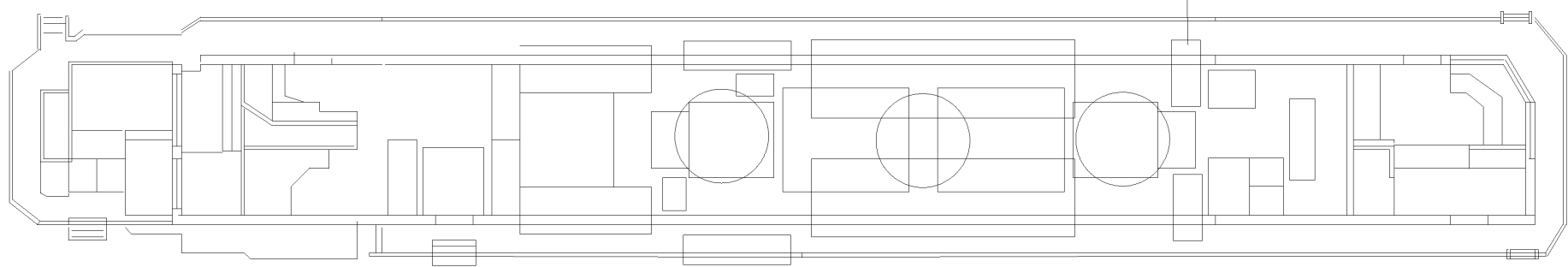
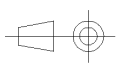


OVERHEAD RESERVIOR AUXILLARY AIR



						2 ENGINE FLOOR PLAN		
				date	name	ADAM NUGENT ROSENBERGER, 10/21/2021		
				desig.	07/01/04 dil			
				check	fbd dil			
				auth.	fbd dil			
A1	initial design	01/01/01	DDil				1/1 sheet	
loc	change	date	name	project	project			

①

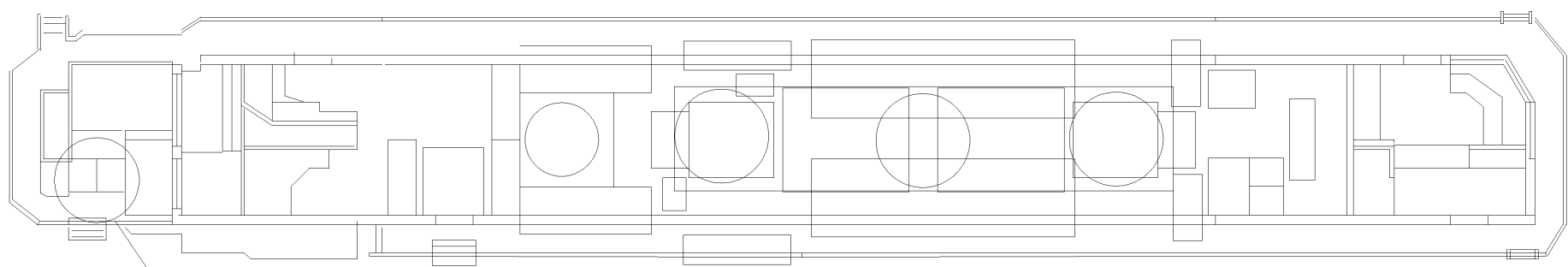
②

③

④

Ⓑ

Ⓑ



# AIRBRAKE COMPARTMENT

Ⓐ

Ⓐ

						AIRBRAKE COMPARTMENT			
				date	name	ADAM NUGENT ROSENBERGER, 10/21/2021			
			desig.	07/01/04	dil				
			check	fbd	dil				
			auth.	fbd	dil				
A1	initial design	01/01/01	DD	dil					
loc	change	date	name	project	project	1/1 sheet			

①

②

③

④

①

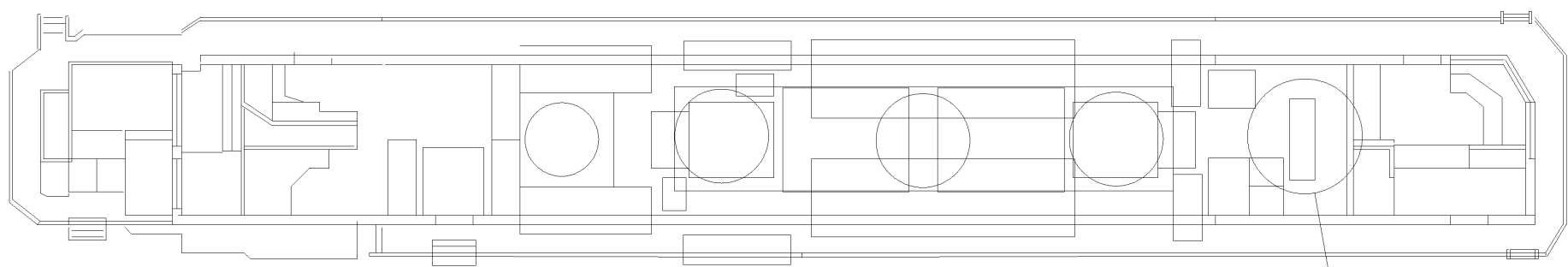
②

③

④

Ⓑ

Ⓑ



AIR COMPRESSOR

Ⓐ

Ⓐ

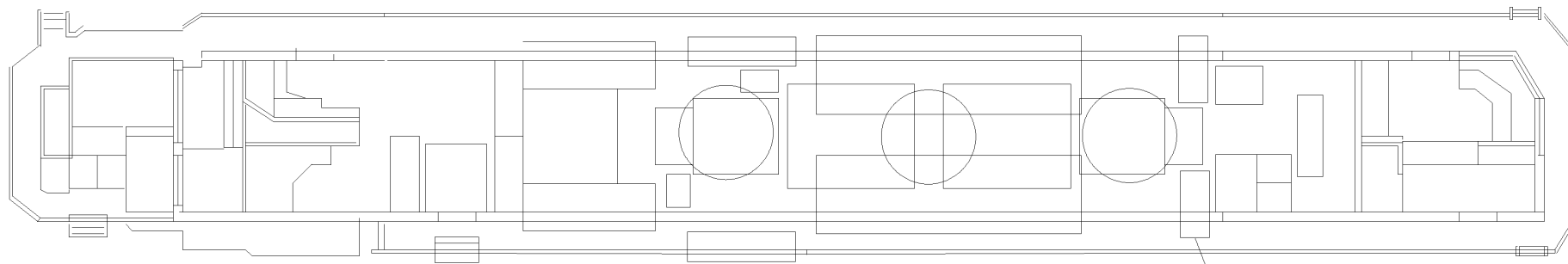
①

②

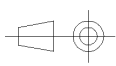
③

④

						AIR COMPRESSOR		
				date	name	ADAM NUGENT ROSENBERGER, 10/21/2021		
			desig.	07/01/04	dil			
			check	fbd	dil			
			auth.	fbd	dil			
A1	initial design	01/01/01	DD	dil		1/1 sheet		
loc	change	date	name	project	project			



OVERHEAD RESERVIOR MAIN AIR

						2 ENGINE FLOOR PLAN		
						ADAM NUGENT ROSENBERGER, 10/21/2021		
			date	name				
			desig.	07/01/04	dil			
			check	fbd	dil			
			auth.	fbd	dil			
A1	initial design	01/01/01	DD	dil		1/1 sheet		
loc	change	date	name	project	project			

①

②

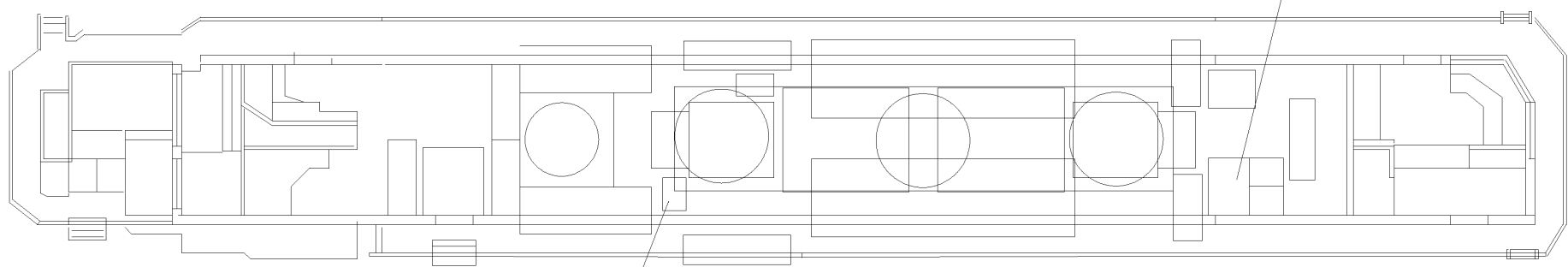
③

④

Ⓑ

Ⓑ

ALTERNATOR MOTOR BLOWER



ALTERNATOR MOTOR BLOWER

Ⓐ

Ⓐ

①

②

③

④

						ALTERNATOR MOTOR BLOWER	
				date	name	ADAM NUGENT ROSENBERGER, 10/21/2021	
				desig.	07/01/04 dil		
				check	fbd dil		
				auth.	fbd dil		
A1	initial design	01/01/01	DDil			1/1 sheet	
loc	change	date	name	project	project		

①

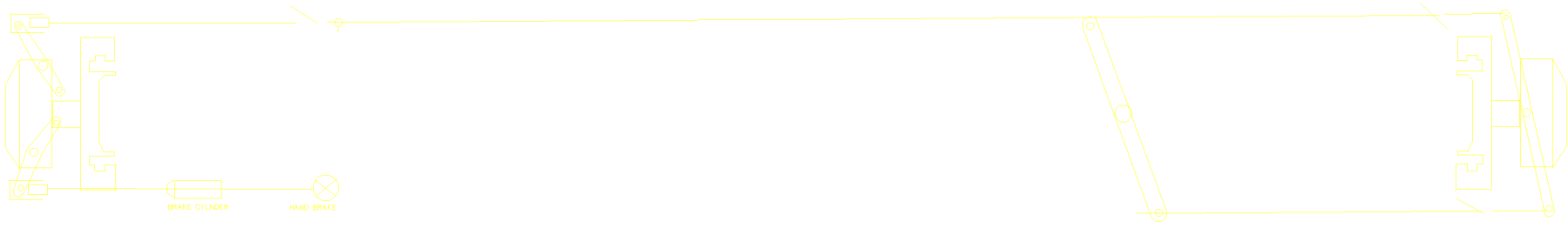
②

③

④

Ⓑ

Ⓑ



BRAKE CYLINDER

HAND BRAKE

Ⓐ

Ⓐ

	date	name
desig.	07/01/04	dil
check	fbd	dil
auth.	fbd	dil

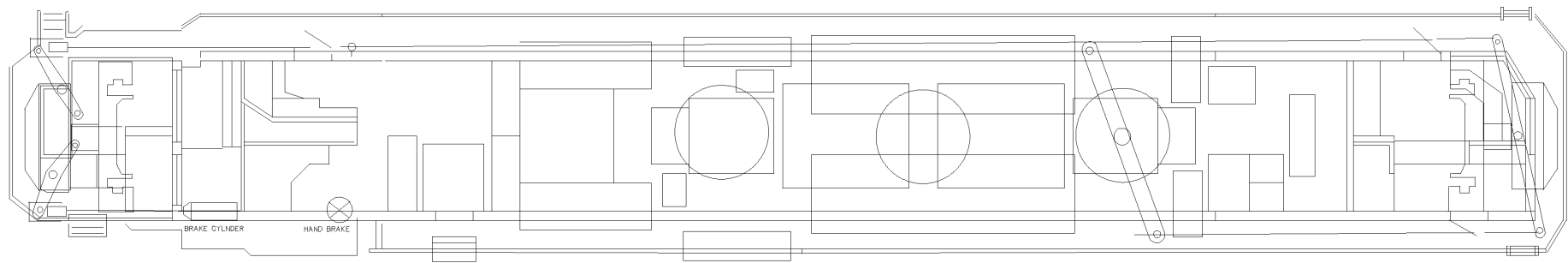
A1	initial design	01/01/01	DD	dil	
loc	change	date	name	project	project

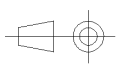
①

②

③

④



							
				2 ENGINE FLOOR PLAN			
				ADAM NUGENT ROSENBERGER, 10/21/2021			
						1/1 sheet	
A1	initial design	01/01/01	DDil				
loc	change	date	name	project	project		

①

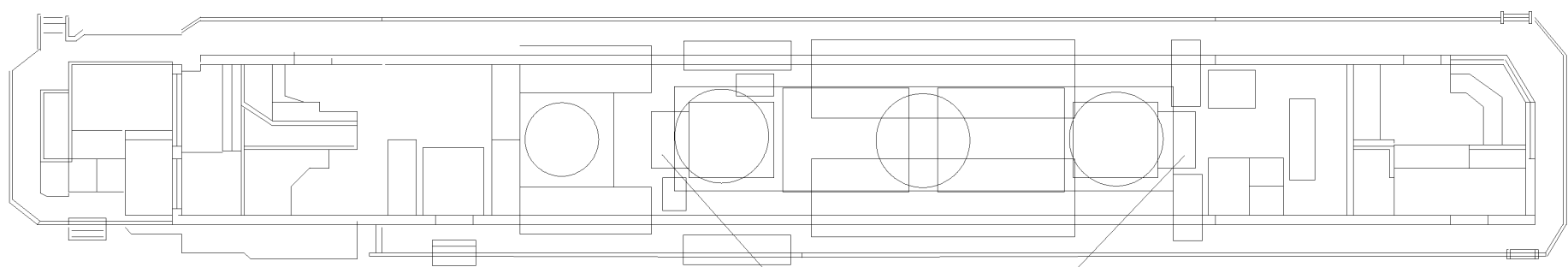
②

③

④

Ⓑ

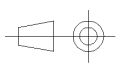
Ⓑ



# AUXILIARY GENERATORS

Ⓐ

Ⓐ

						AUXILIARY GENERATORS		
			date	name		ADAM NUGENT ROSENBERGER, 10/21/2021		
			desig.	07/01/04	dil			
			check	fbd	dil			
			auth.	fbd	dil			
A1	initial design	01/01/01	DD	dil		1/1 sheet		
loc	change	date	name	project	project			

①

②

③

④



①

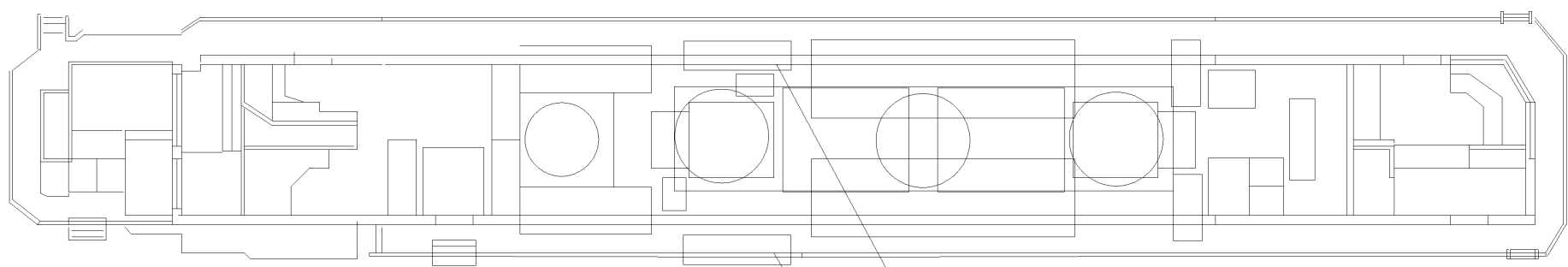
②

③

④

Ⓑ

Ⓑ



# BATTERY BOX

Ⓐ

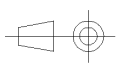
Ⓐ

①

②

③

④

					
			date	name	
			desig.	07/01/04	dil
			check	fbd	dil
			auth.	fbd	dil
					ADAM NUGENT ROSENBERGER, 10/21/2021
A1	initial design	01/01/01	DD		
loc	change	date	name	project	project
					1/1 sheet

①

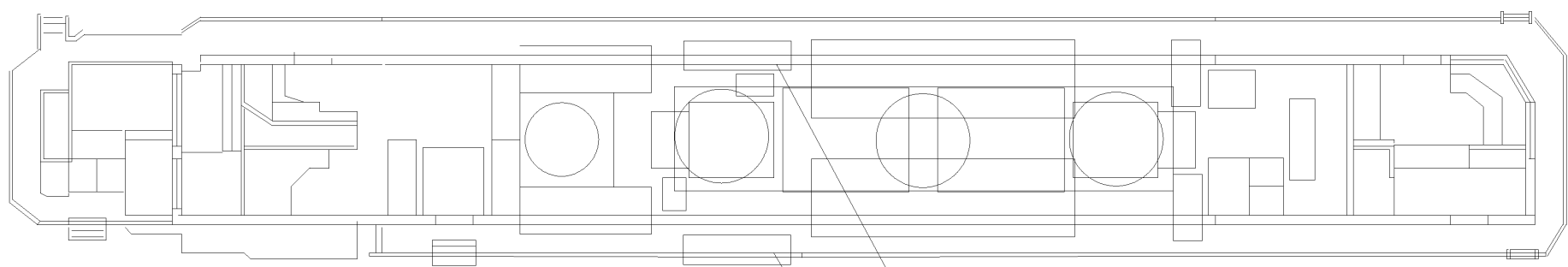
②

③

④

Ⓑ

Ⓑ



# BATTERIES AND CONNECTIONS

Ⓐ

Ⓐ

						BATTERIES AND CONNECTIONS			
				date	name	ADAM NUGENT ROSENBERGER, 10/21/2021			
			desig.	07/01/04	dil				
			check	fbd	dil				
			auth.	fbd	dil				
A1	initial design	01/01/01	DD	dil					
loc	change	date	name	project	project	1/1 sheet			

①

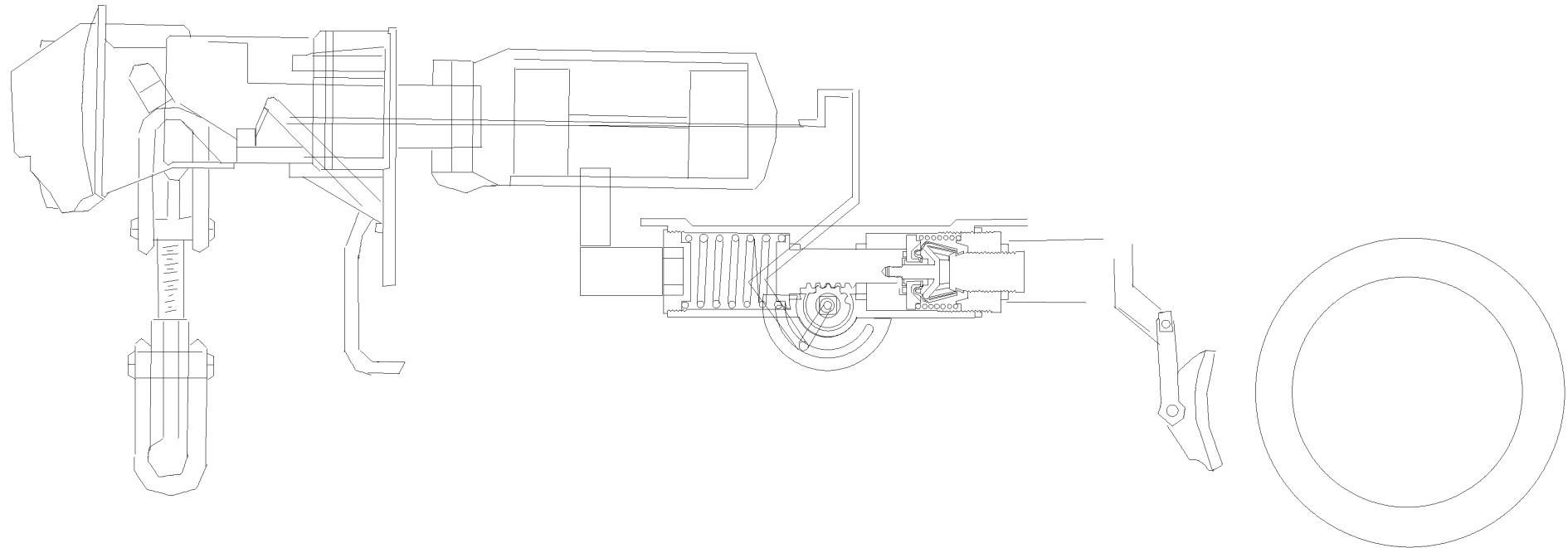
②

③

④

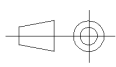
ⓑ

ⓑ



Ⓐ

Ⓐ

						scale 1 : 1	(mass)
						(material, specification)	
				date	name	title sub t	
				desig. 07/01/04	dil		
				check fbd	dil		
				auth. fbd	dil	part name	
						part number <b>DD00NN</b>	
A1	initial design	01/01/0	DDil			replaces	1/1 sheet
loc	change	date	name	project	project	replaced by	

①

②

③

④

①

②

③

④

①

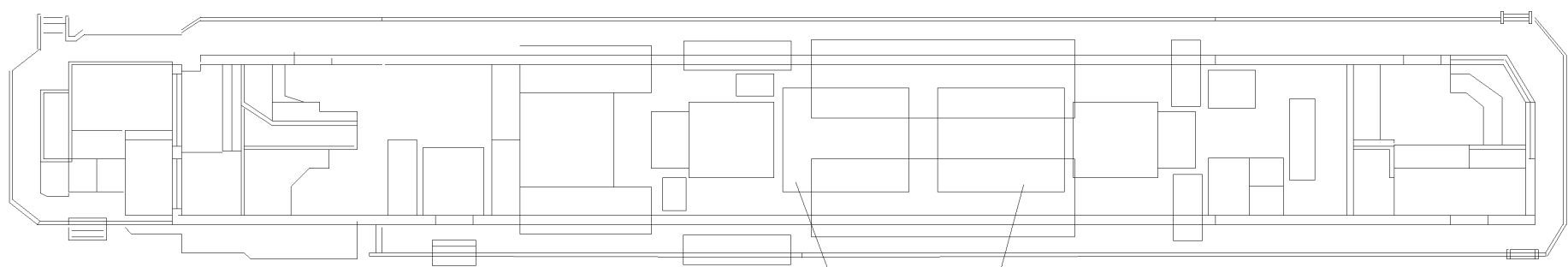
②

③

④

Ⓑ

Ⓑ



DIESEL ENGINE NO.1 AND NO.2

Ⓐ

Ⓐ

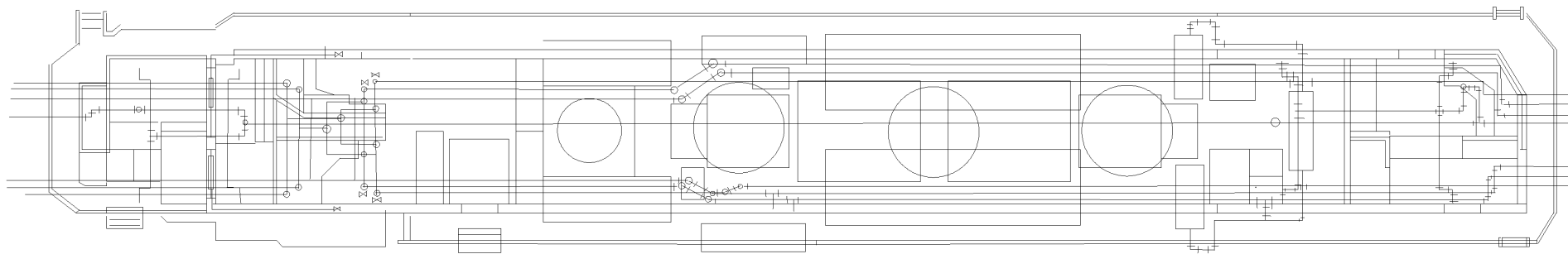
①

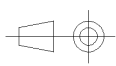
②

③

④

			2 ENGINE FLOOR PLAN					
			ADAM NUGENT ROSENBERGER, 10/21/2021					
							1/1 sheet	
A1	initial design	01/01/01	DD	dil				
loc	change	date	name	project				



						2 ENGINE FLOOR PLAN		
				date	name	ADAM NUGENT ROSENBERGER, 10/21/2021		
				desig.	07/01/04 dil			
				check	fbd dil			
				auth.	fbd dil			
								1/1 sheet
A1	initial design	01/01/01	DDil					
loc	change	date	name	project	project			

①

②

③

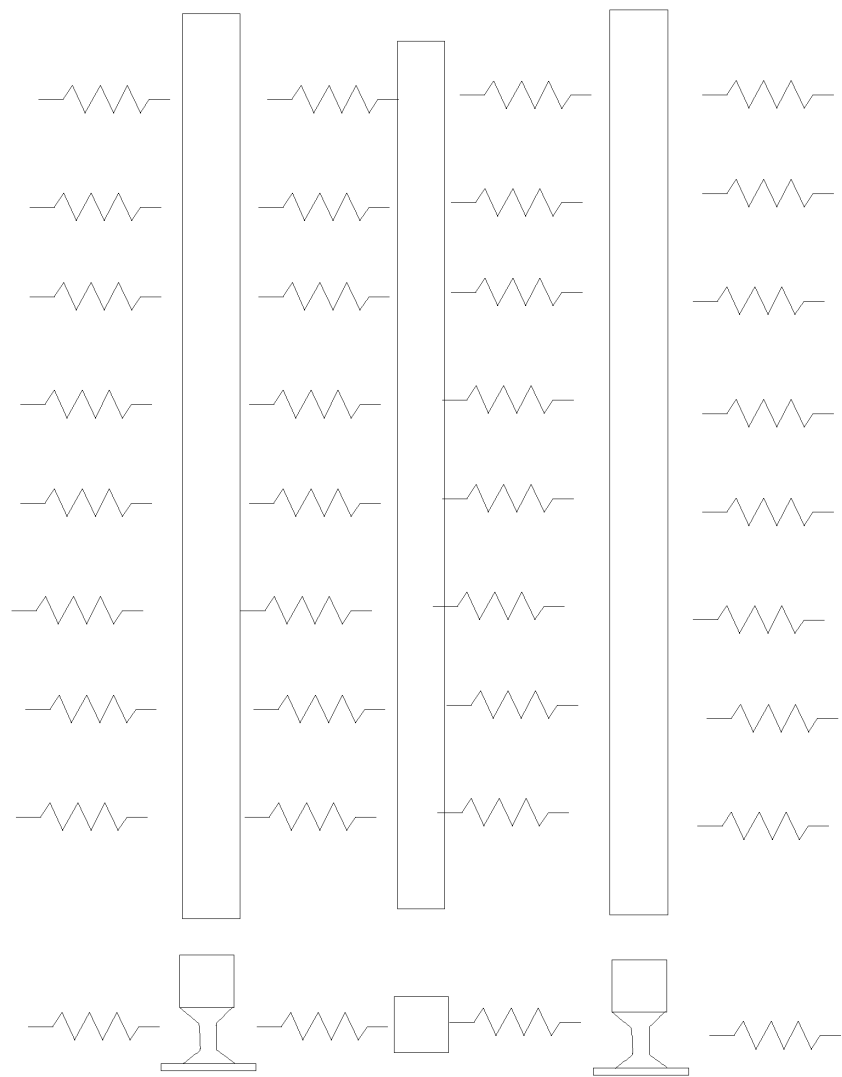
④

Ⓑ

Ⓐ

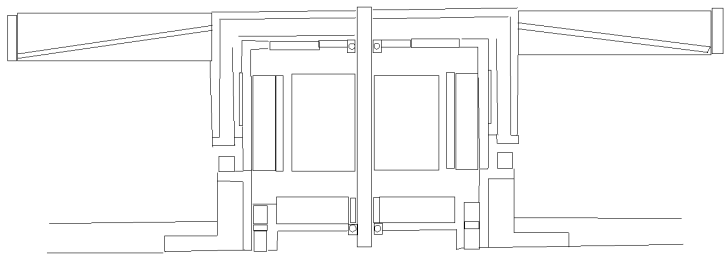
Ⓑ

Ⓐ



TYPE A ELECTRIC RETARDER USED FOR DYNAMIC BRAKING RESISTOR

DYNAMIC BRAKING RESISTOR GRID



ELECTRIC FAN Patent No.: (45) Date of Patent: US 7,042,121 B2

						DYNAMIC BRAKING RESISTOR GRID WITH FAN		
						ADAM NUGENT ROSENBERGER, 11/4/2021		
						part name		
						part number		
						1/1 sheet		
A1	initial design	01/01/01	DDil			part number		
loc	change	date	name	project	project	replaces		replaced by

①

②

③

④

①

②

③

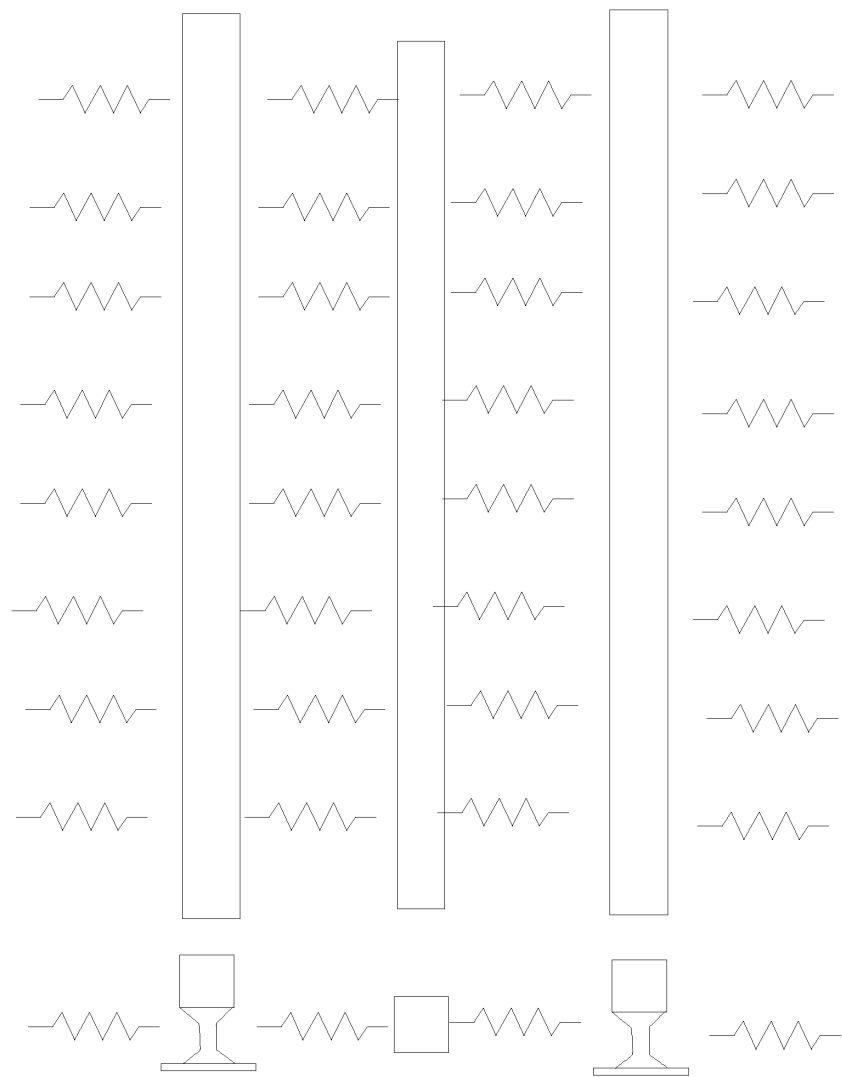
④

ⓑ

Ⓐ

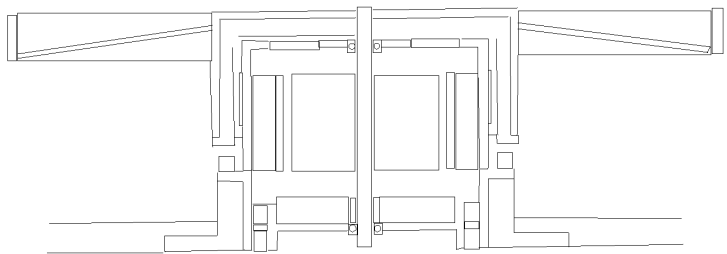
ⓑ

Ⓐ



TYPE A ELECTRIC RETARDER USED FOR DYNAMIC BRAKING RESISTOR

### DYNAMIC BRAKING RESISTOR GRID



ELECTRIC FAN Patent No.: (45) Date of Patent: US 7,042,121 B2

						DYNAMIC BRAKING RESISTOR GRID WITH FAN		
				date	name	ADAM NUGENT ROSENBERGER, 11/4/2021		
				desig.	07/01/04 dil			
				check	fbd dil			
				auth.	fbd dil	part name		
							part number	
A1	initial design	01/01/01	DDil				1/1 sheet	
loc	change	date	name	project	project	replaces	replaced by	

①

②

③

④

①

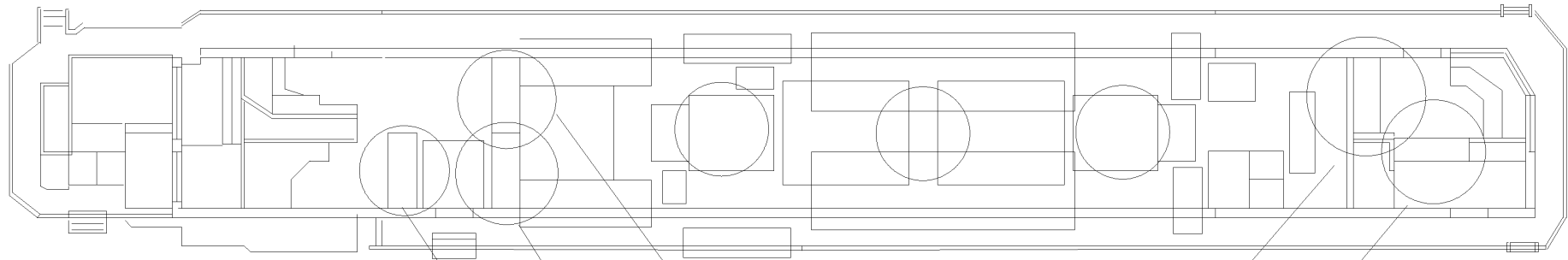
②

③

④

Ⓑ

Ⓑ



ELECTRICAL CABINETS

Ⓐ

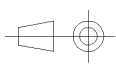
Ⓐ

①

②

③

④

								
						2 ENGINE FLOOR PLAN		
						ADAM NUGENT ROSENBERGER, 10/21/2021		
				date	name			
			design	07/01/04	dil			
			check	fbd	dil			
			auth.	fbd	dil			
A1	initial design	01/01/01	DD	dil				1/1
loc	change	date	name	project	project	sheet		



①

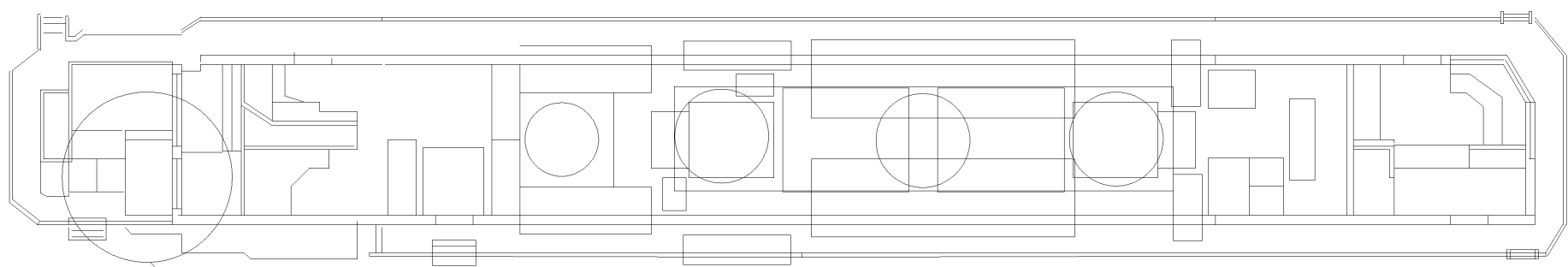
②

③

④

Ⓑ

Ⓑ



ENGINEER'S HEATER

Ⓐ

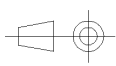
Ⓐ

①

②

③

④

						
			ENGINEER'S HEATER			
			ADAM NUGENT ROSENBERGER, 10/21/2021			
					1/1 sheet	
A1	initial design	01/01/01	DD	dil		
loc	change	date	name	project		

①

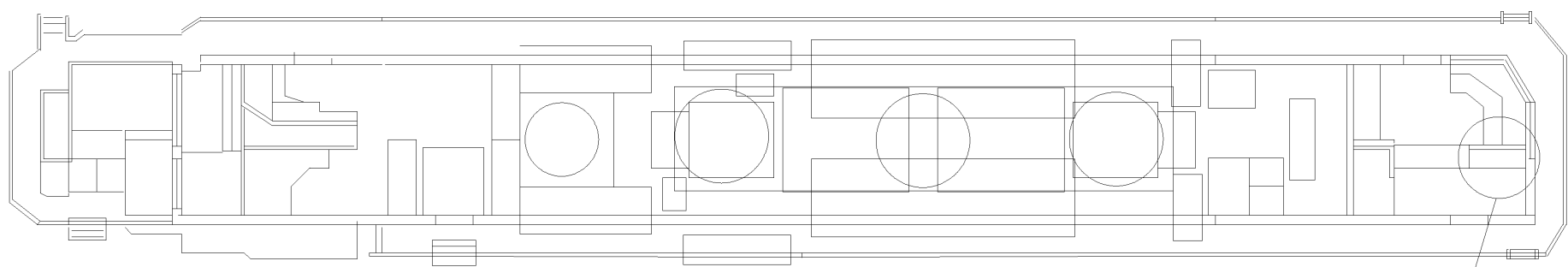
②

③

④

Ⓑ

Ⓑ



# FIREMAN'S HEATER

Ⓐ

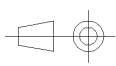
Ⓐ

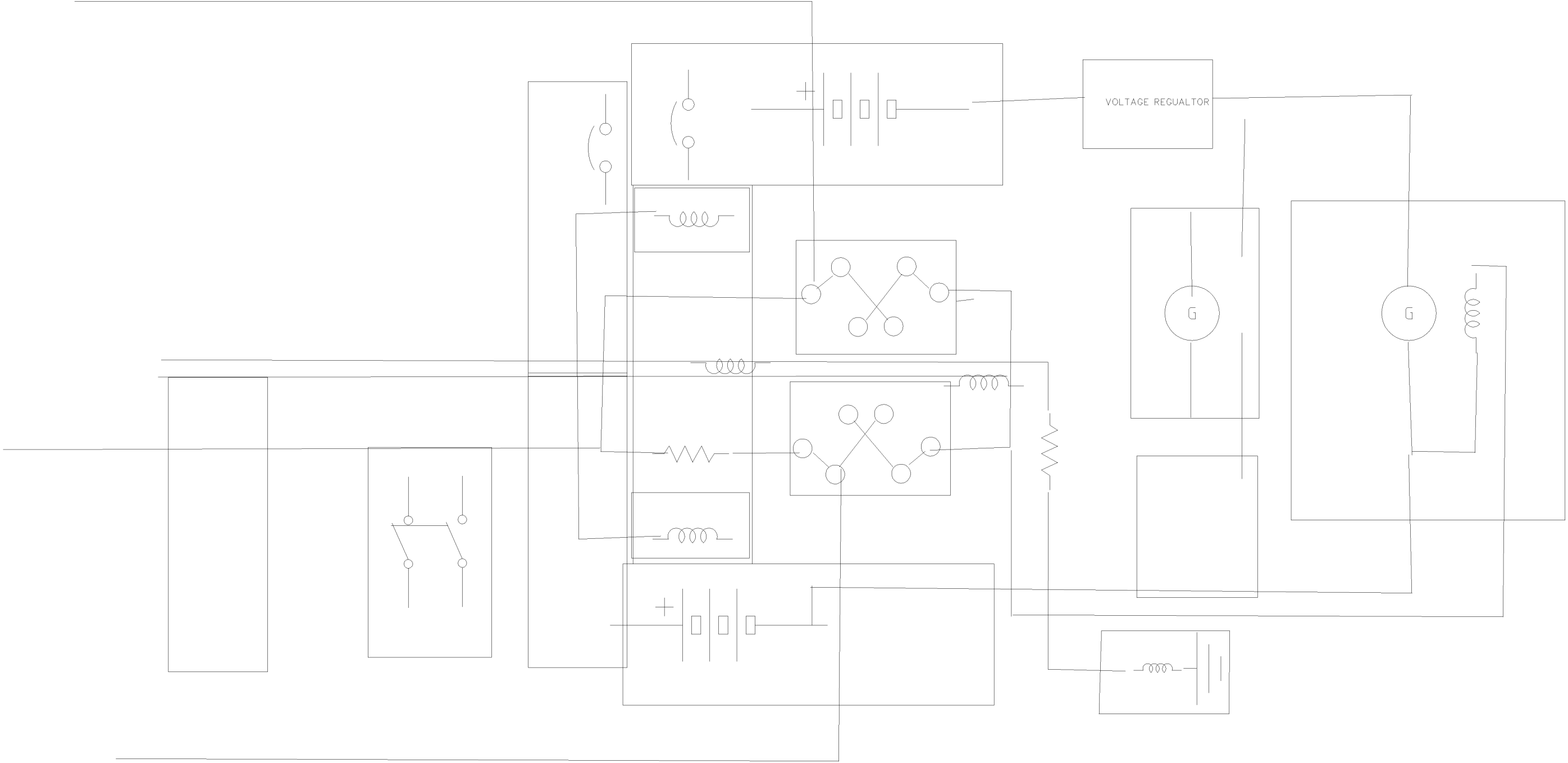
①

②

③

④

						FIREMAN'S HEATER	
				date	name	ADAM NUGENT ROSENBERGER, 10/21/2021	
				desig.	07/01/04 dil		
				check	fbd dil		
				auth.	fbd dil		
A1	initial design	01/01/01	DDil			1/1 sheet	
loc	change	date	name	project	project		



①

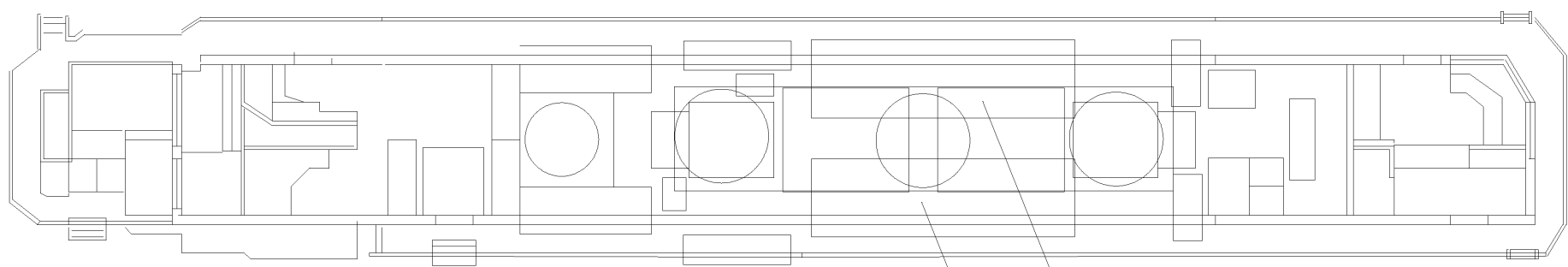
②

③

④

Ⓑ

Ⓑ



# FUEL TANK

Ⓐ

Ⓐ

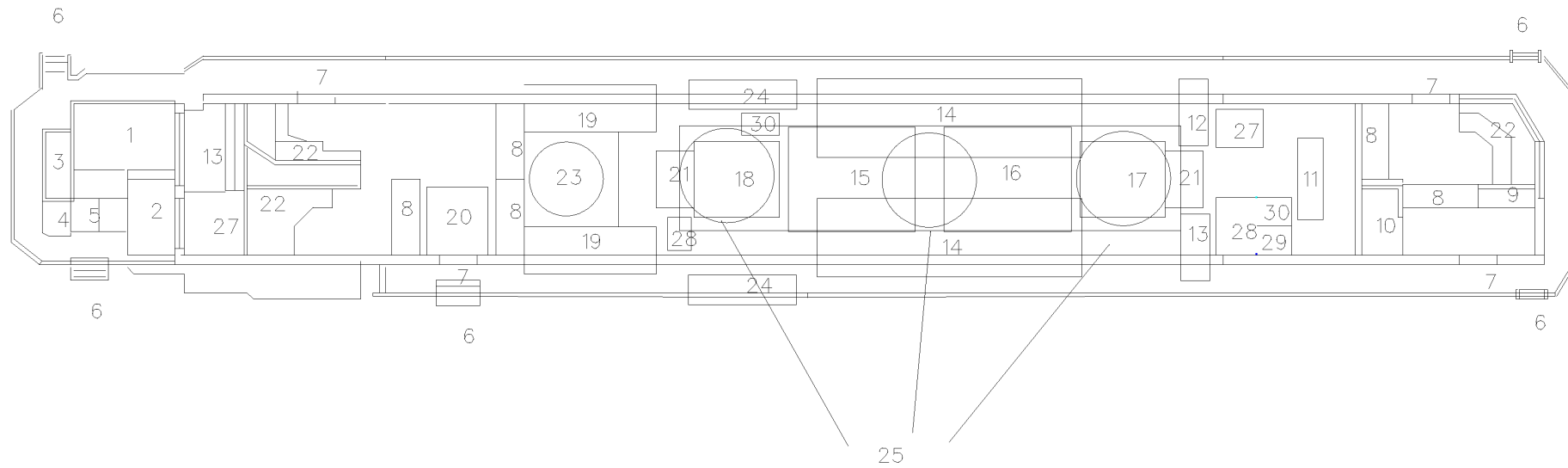
						FUEL TANK	
			date	name		ADAM NUGENT ROSENBERGER, 10/21/2021	
			desig.	07/01/04	dil		
			check	fbd	dil		
			auth.	fbd	dil		
A1	initial design	01/01/01	DD			1/1 sheet	
loc	change	date	name	project	project		

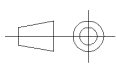
①

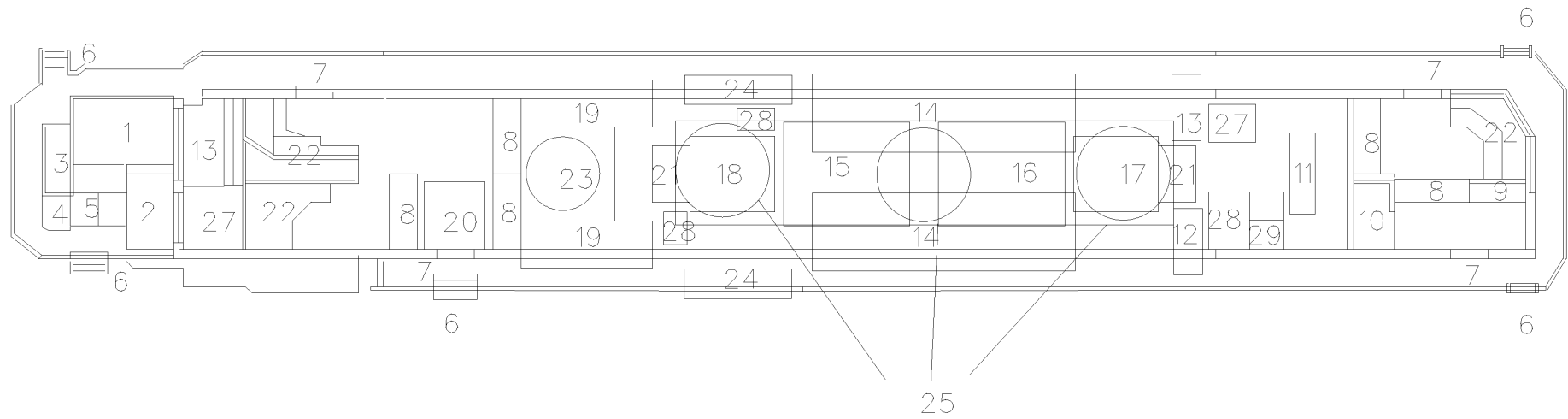
②

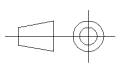
③

④



									
				date	name	ADAM NUGENT ROSENBERGER, 10/21/2021			
				desig.	07/01/04 dil				
				check	fbd dil				
				auth.	fbd dil				
A1	initial design	01/01/01	DDil				1/1 sheet		
loc	change	date	name	project	project				



						<b>2 ENGINE FLOOR PLAN LOCATION OF APPARATUS</b>		
				date	name	ADAM NUGENT ROSENBERGER, 10/21/2021		
			design	07/01/04	dil			
			check	fbd	dil			
			auth.	fbd	dil			
A1	initial design	01/01/01	DDil				1/1 sheet	
loc	change	date	name	project	project			

①

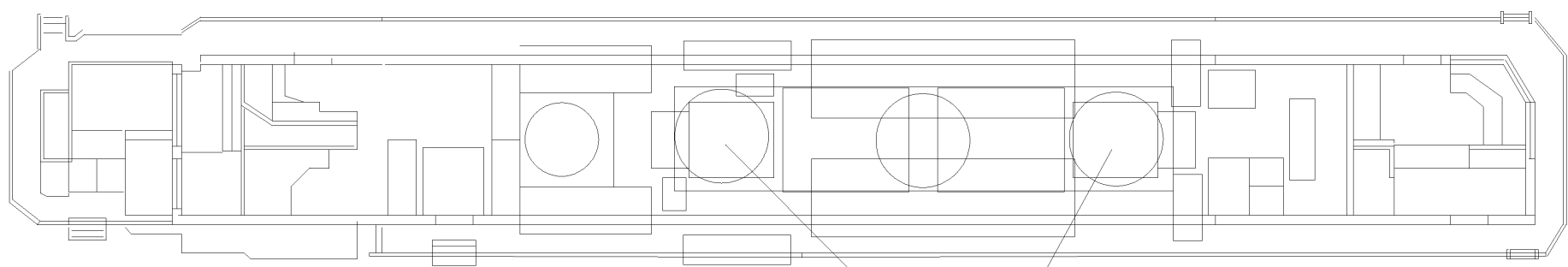
②

③

④

Ⓑ

Ⓑ



# MAIN GENERATOR 1 AND 2

Ⓐ

Ⓐ

①

②

③

④

						MAIN GENERATOR 1 AND 2		
				date	name	ADAM NUGENT ROSENBERGER, 10/21/2021		
			desig.	07/01/04	dil			
			check	fbd	dil			
			auth.	fbd	dil			
A1	initial design	01/01/01	DD	dil		1/1 sheet		
loc	change	date	name	project	project			

①

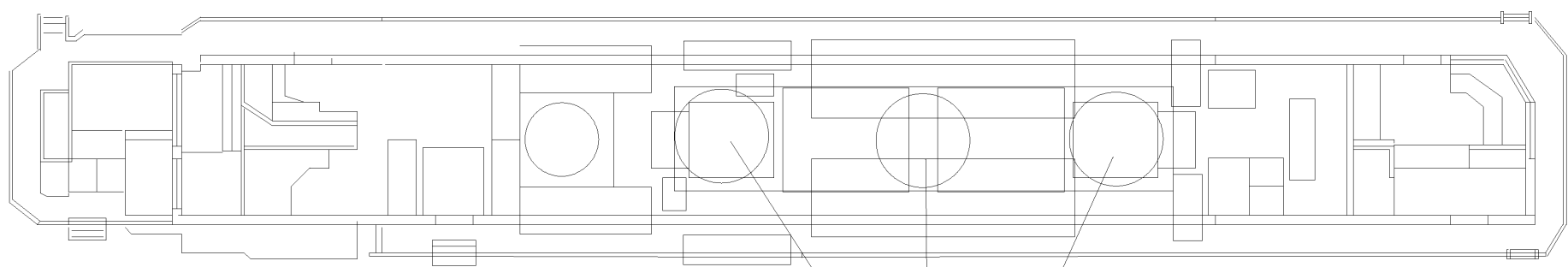
②

③

④

Ⓑ

Ⓑ



RADIATOR

Ⓐ

Ⓐ

						RADIATOR			
				date	name	ADAM NUGENT ROSENBERGER, 10/21/2021			
			desig.	07/01/04	dil				
			check	fbd	dil				
			auth.	fbd	dil				
A1	initial design	01/01/01	DD	dil		1/1 sheet			
loc	change	date	name	project	project				

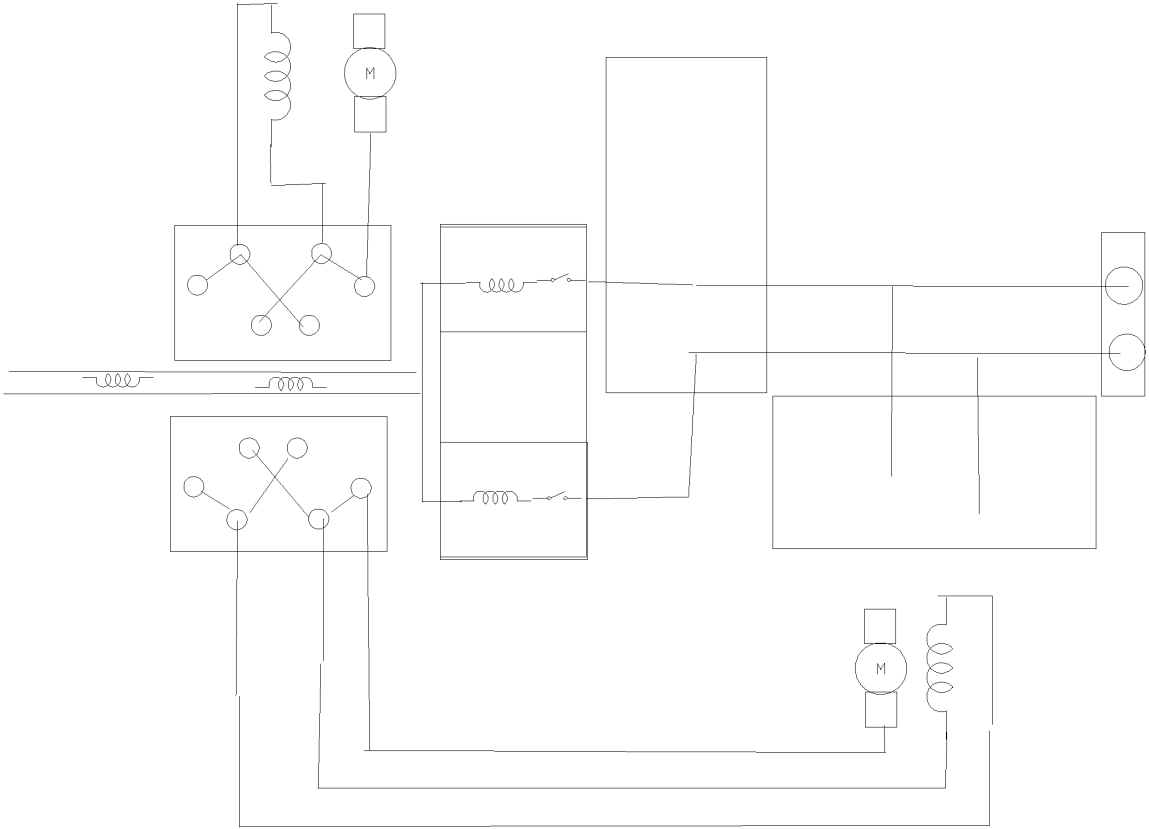
①

②

③

④





①

②

③

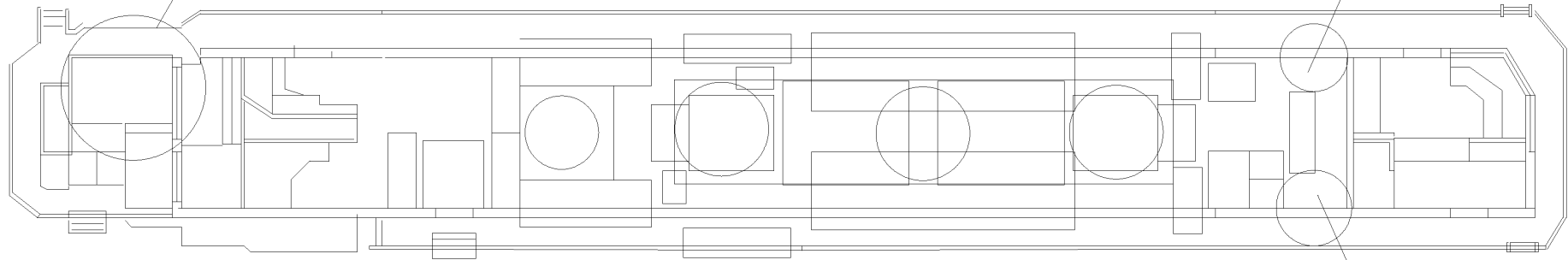
④

Ⓑ

Ⓑ

SAND TRAPS

SAND TRAPS



SAND TRAPS

Ⓐ

Ⓐ

				SAND TRAPS			
				date	name	ADAM NUGENT ROSENBERGER, 10/21/2021	
				desig.	07/01/04 dil		
				check	fbd dil		
				auth.	fbd dil		
A1	initial design	01/01/01	DDil			1/1 sheet	
loc	change	date	name	project	project		

①

②

③

④

①

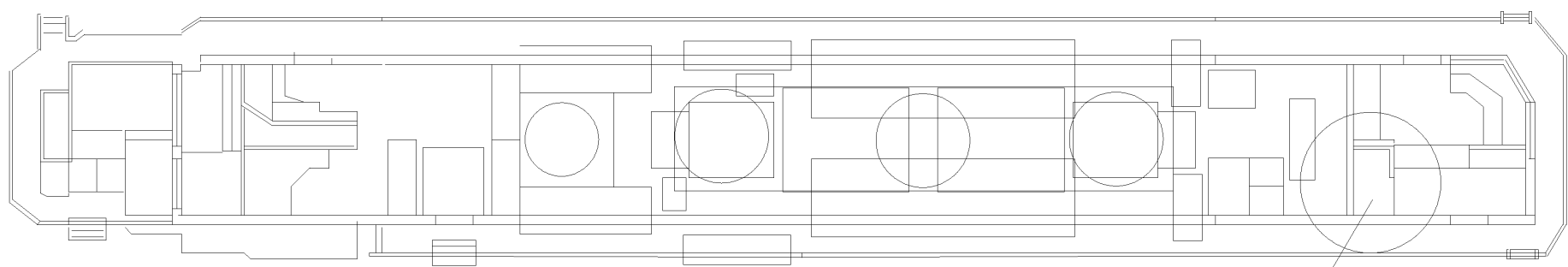
②

③

④

Ⓑ

Ⓑ



TOILET

Ⓐ

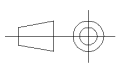
Ⓐ

①

②

③

④

						TOILET	
			date	name		ADAM NUGENT ROSENBERGER, 10/21/2021	
			desig.	07/01/04	dil		
			check	fbd	dil		
			auth.	fbd	dil		
A1	initial design	01/01/01	DDil			1/1 sheet	
loc	change	date	name	project	project		

①

②

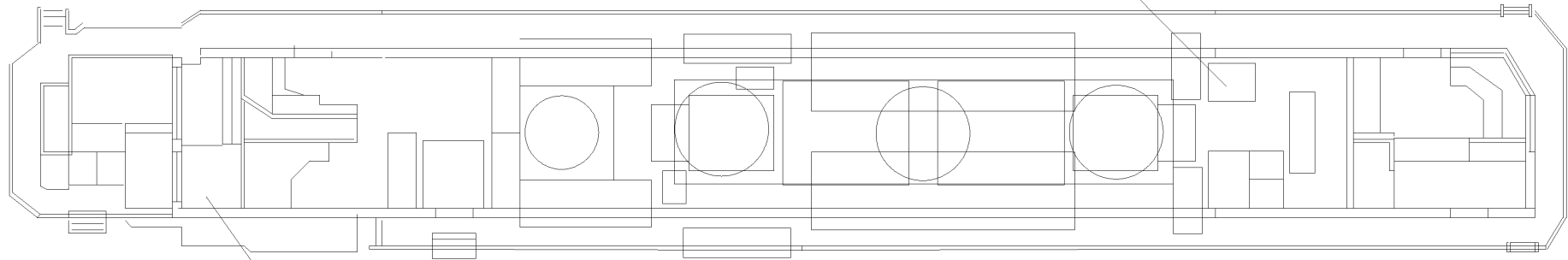
③

④

Ⓑ

Ⓑ

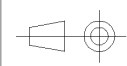
TRACTION MOTOR BLOWER



TRACTION MOTOR BLOWER

Ⓐ

Ⓐ



TRACTION MOTOR BLOWER

	date	name
desig.	07/01/04	dil
check	fbd	dil
auth.	fbd	dil

ADAM NUGENT ROSENBERGER, 10/21/2021

A1	initial design	01/01/01	DDil
loc	change	date	name/project project

1/1  
sheet

①

②

③

④

①

②

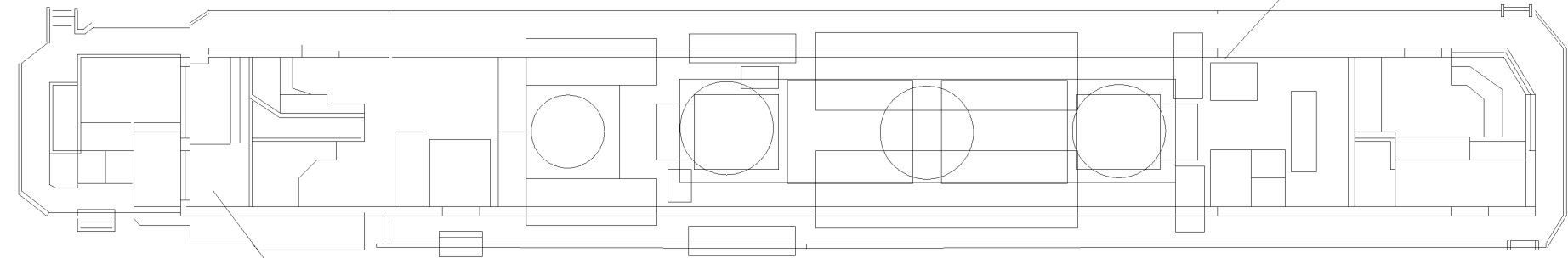
③

④

Ⓑ

Ⓑ

TRACTION MOTOR BLOWER



TRACTION MOTOR BLOWER

Ⓐ

Ⓐ

				<p>TRACTION MOTOR BLOWER</p>			
				<p>ADAM NUGENT ROSENBERGER, 10/21/2021</p>			
						<p>1/1 sheet</p>	
A1	initial design	01/01/01	DDil				
loc	change	date	name	project	project		

①

②

③

④

①

②

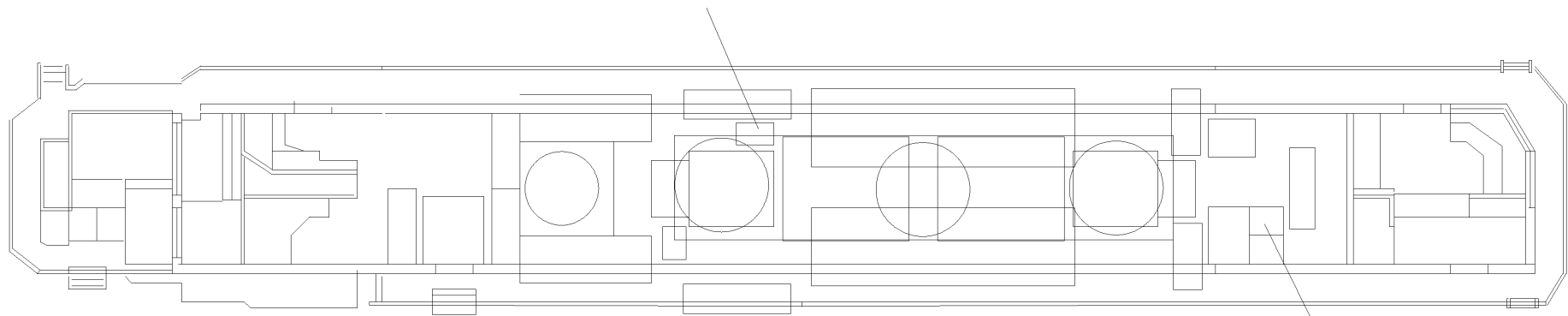
③

④

Ⓑ

Ⓑ

VOLTAGE REGUALTOR



VOLTAGE REGUALTOR

Ⓐ

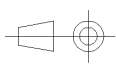
Ⓐ

①

②

③

④

							
				VOLTAGE REGUALTOR			
				ADAM NUGENT ROSENBERGER, 10/21/2021			
				1/1 sheet			
A1	initial design	01/01/01	DDil				
loc	change	date	name	project	project		