

Figure 117. Accessory Drive.

(1) ITEM NO.	(2) FSCM	(3) PART NUMBER	(4) DESCRIPTION AND USABLE ON CODE	(5) QTY
			GROUP 18 ENGINE GROUP, DIESEL	
			FIG. 117 HUB AND DRIVE	
1	15434	3010596	CAPSCREW, CAPTIVE	6
2	15434	212488	PULLEY, FAN	1
3	15434	70896	CAPSCREW, 1/2-13 X 3/4	2
4	15434	208081	PILOT, FAN HUB	1
5	15434	142176	NUT, LOCK	1
6	15434	3-12467	WASHER, PLAIN	1
7	15434	3001281	BEARING, ROLLER	2
8	15434	3002129	SPACER, BEARING	1
9	15434	217007	SPACER, BEARING	1
10	15434	S-911-B	PLUG, PIPE, 1/8	2
11	15434	212485	HUB, FAN	1
12	15434	3001286	RING, RETAINING	1
13	15434	200307	SEAL, OIL	1
14	15434	3012483	CAPSCREW, CAPTIVE	4
15	15434	117267	WASHER, COUNTERWEIGHT	4
16	15434	201620	SHAFT, FAN, HUB	1
17	15434	66912-1-A	CAPSCREW	1
18	15434	3019574	CAPSCREW, CAPTIVE	2
19	15434	S-176	CAPSCREW, 1/2-13 X 5	2
20	15434	S-608	WASHER, LOCK, 1/2	2
21	15434	3015282	CAPSCREW, CAPTIVE	2
22	15434	210235	BRACKET, FAN	1
			END OF FIGURE	

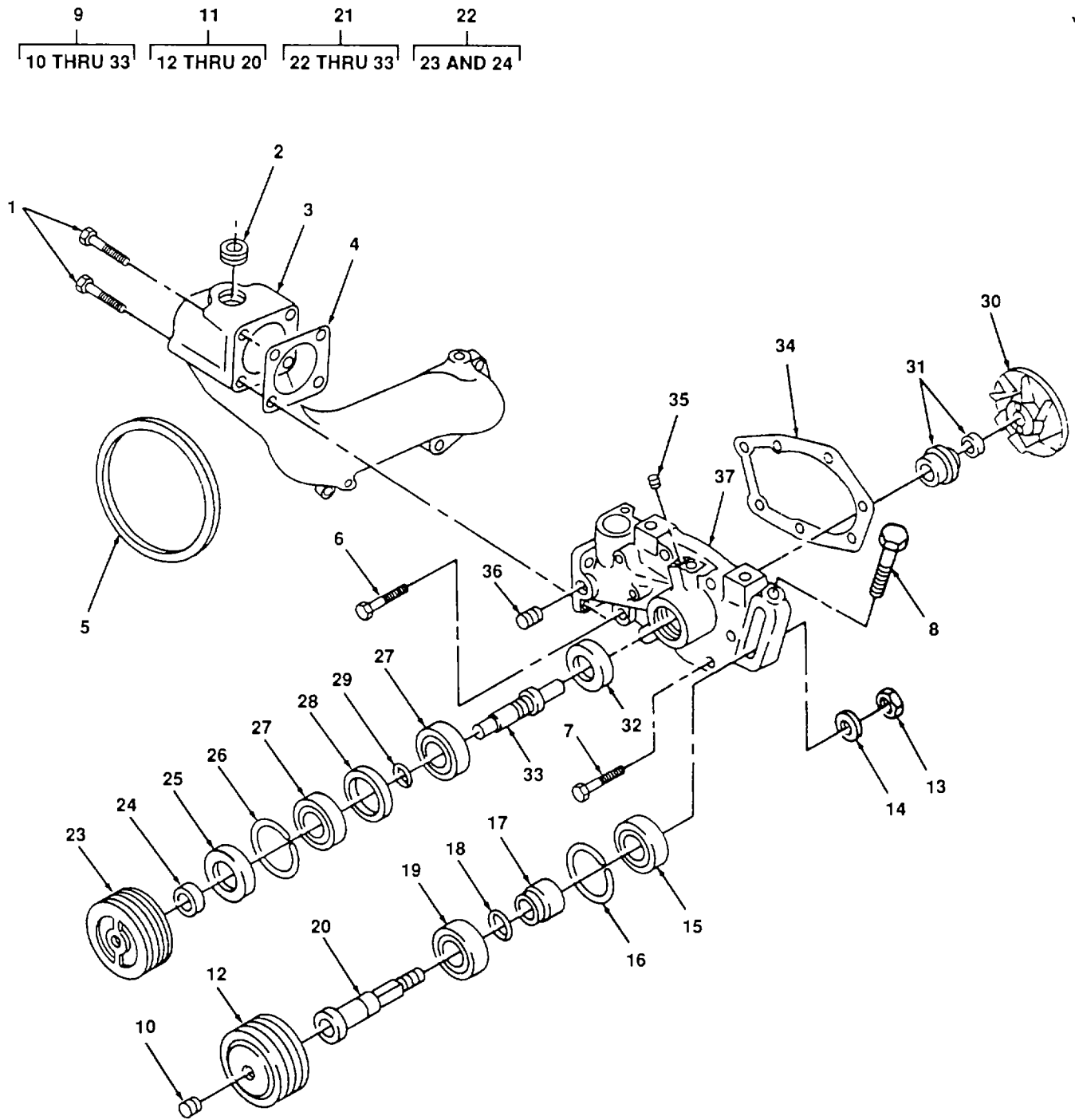


Figure 118. Water Pump and Idler.