

3
4 THRU 7

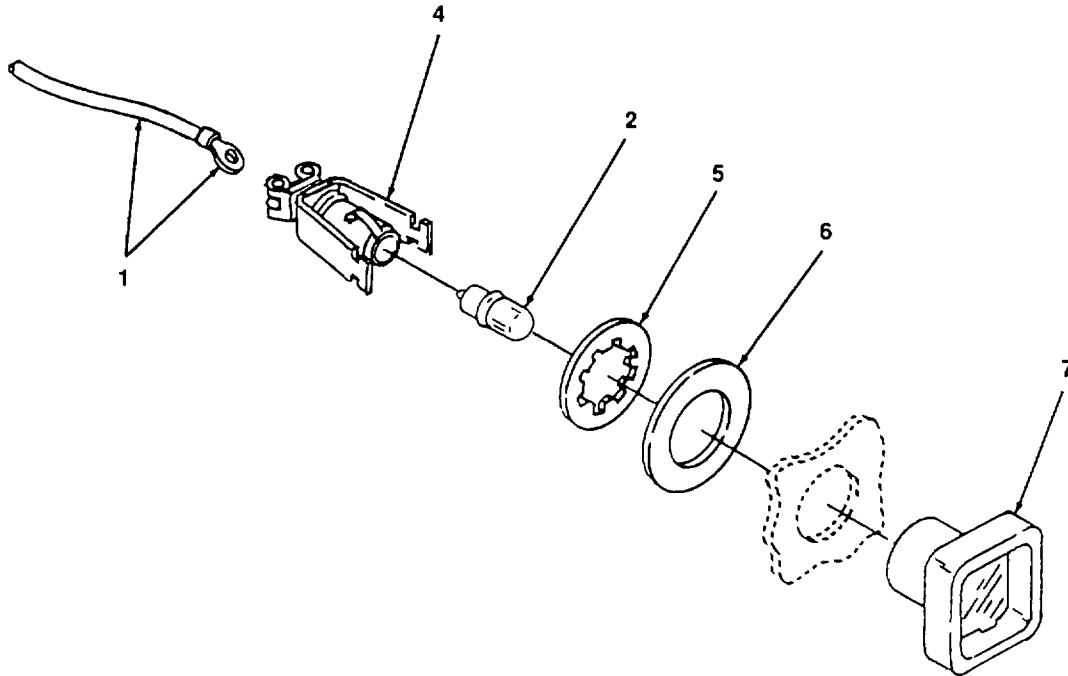


Figure 39. Indicator Light.

(1) ITEM NO.	(2) FSCM	(3) PART NUMBER	(4) DESCRIPTION AND USABLE ON CODE	(5) QTY
			GROUP 08 ELECTRICAL ACCESSORIES	
			FIG. 39 LIGHT INDICATOR, GROUND RELAY AND WHEEL SLIP	
1	72915		LEAD, ELECTRICAL, 14 AWG STD, MADE FROM, PN 8491796, TERMINAL, SPADE, 16-14 AWG, (P/N 640905)	2
2	24446	41A300500G1	73N(-) (J) GLAA, GND TO SLIP	1
3	24446	41B564389G1	73N(+) P/N 17LV66AA19 (24446)	1
4	24446	827294	BULB (GE44)	1
5	24446		SOCKET, LIGHT INDICATOR ASSEMBLY (WSL1, GRL1)	1
6	24446		SOCKET, LIGHT	1
7	24446		NUT, MOUNTING PUSH ON	1
			WASHER, FLAT	1
			LENS, INDICATOR LIGHT	1
			END OF FIGURE	