

5  
6 THRU 10

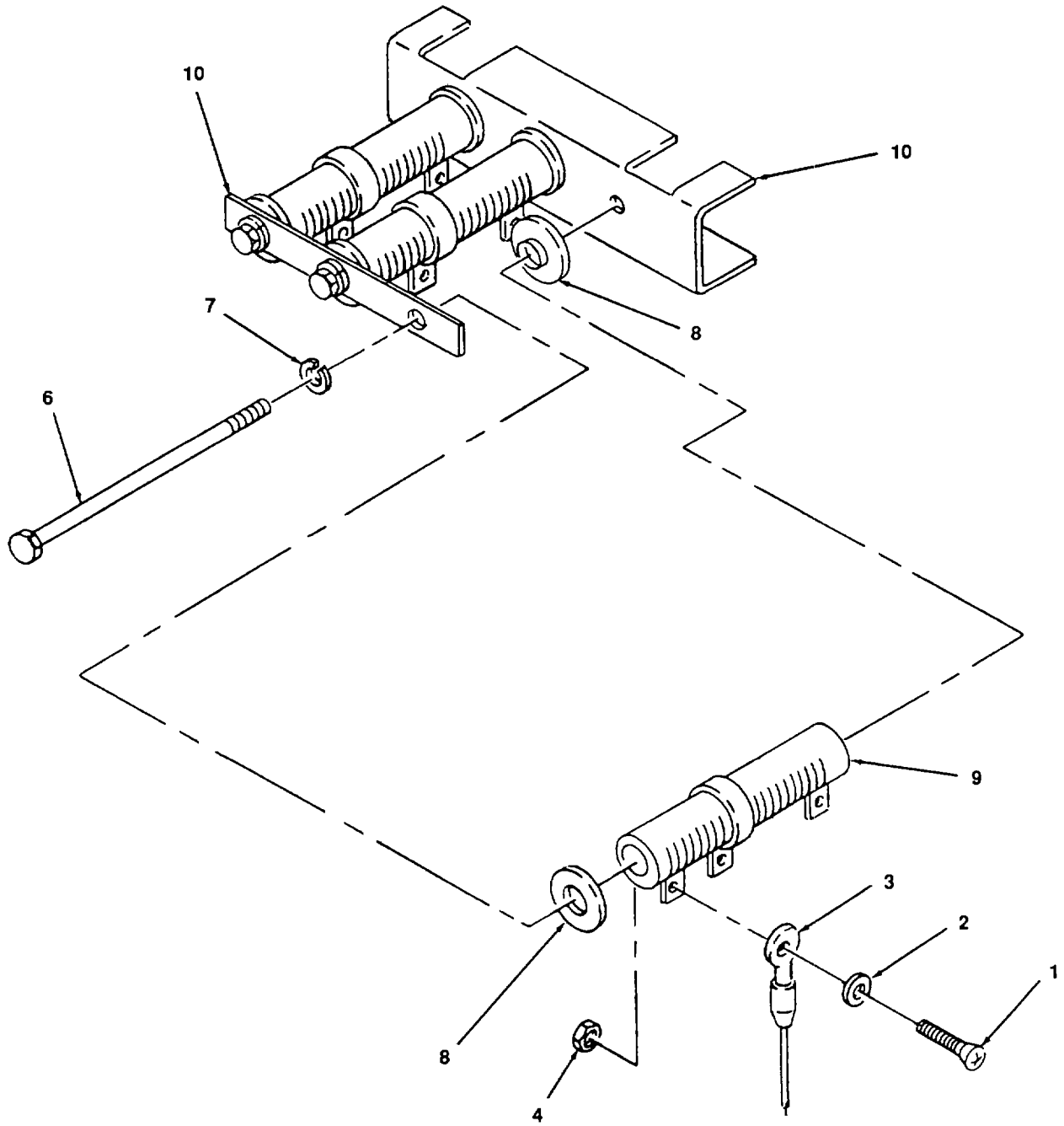


Figure 59. Wheel-Slip Relay Resistor

(1) ITEM NO.	(2) FSCM	(3) PART NUMBER	(4) DESCRIPTION AND USABLE ON CODE	(5) QTY
			GROUP 10 BRAKE SYSTEM, AIR	
			FIG. 59 RESISTOR, ASSEMBLY, WHEEL SLIP RELAY	
1	96906	MS90725-3	SCREW, 1/4 IN.	7
2	96906	MS27183-10	WASHER, FLAT, 1/4 IN.	7
3			LEAD, ELECTRICAL, MAKE FROM, 14 AWG P/N 31906 (89110), TERMINAL, 14-16 AWG #10 STUD, P/N 8491796 (72195) REF DES, WS, WSA, J, AA1,1 AA3	7
4	96906	MS51967-03	NUT, 1/4 IN	7
5	24446	17FR45B3	RESISTOR ASSEMBLY, WHEEL SLIP RELAY	3
6	96906	MS90725	SCREW, 3/8 IN	3
7	96906	MS35338-46	WASHER, LOCK, 3/8 IN	3
8	24446		INSULATOR, 3/8 IN	6
9	24446	496A755G1	RESISTOR, WHEEL SLIP RELAY	3
10	24446	392A951G2	BRACKET	1
			END OF FIGURE	