

3
4 THRU 114

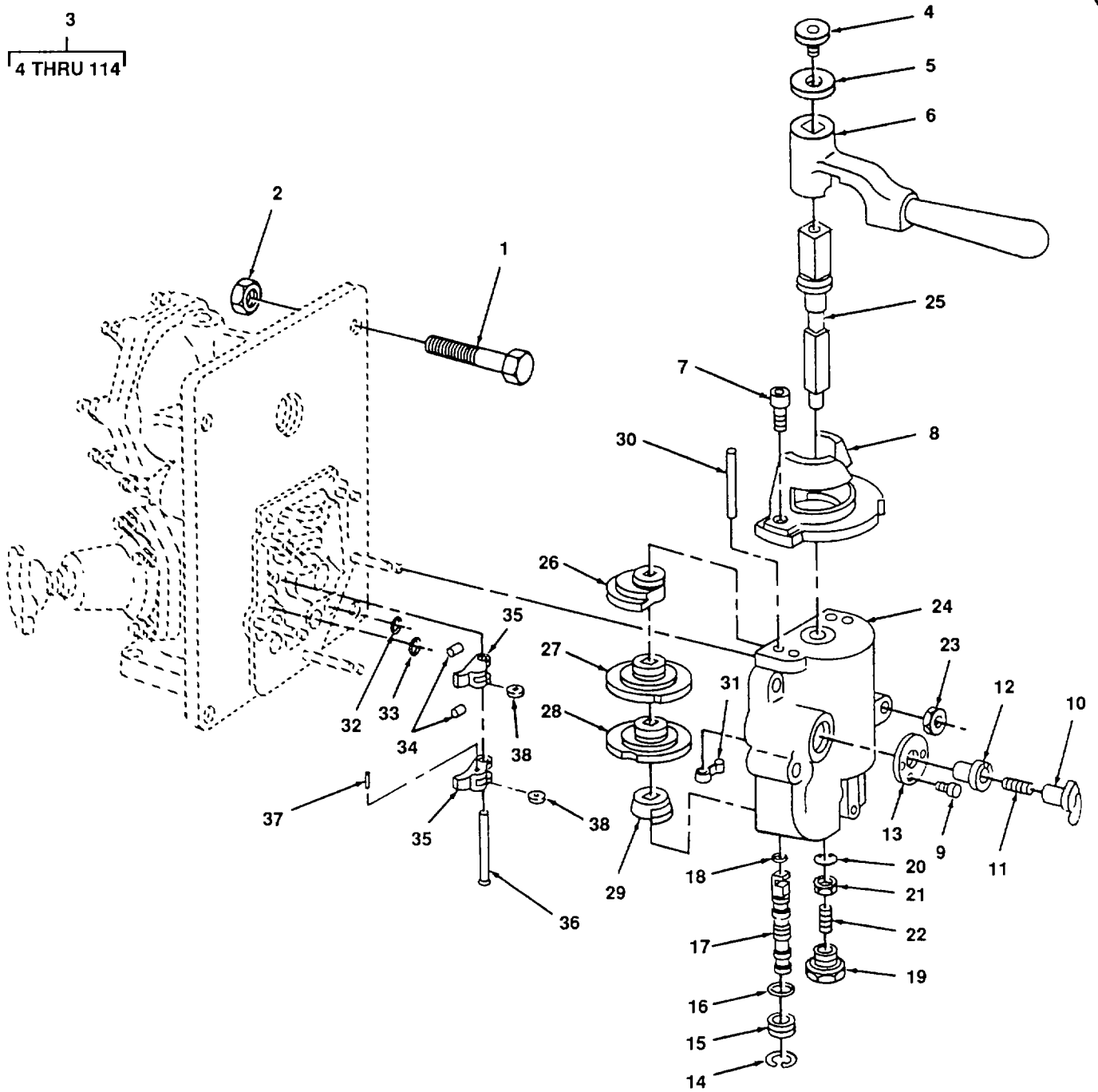


Figure 131. Valve, Automatic Brake (Sheet 1 of 3)

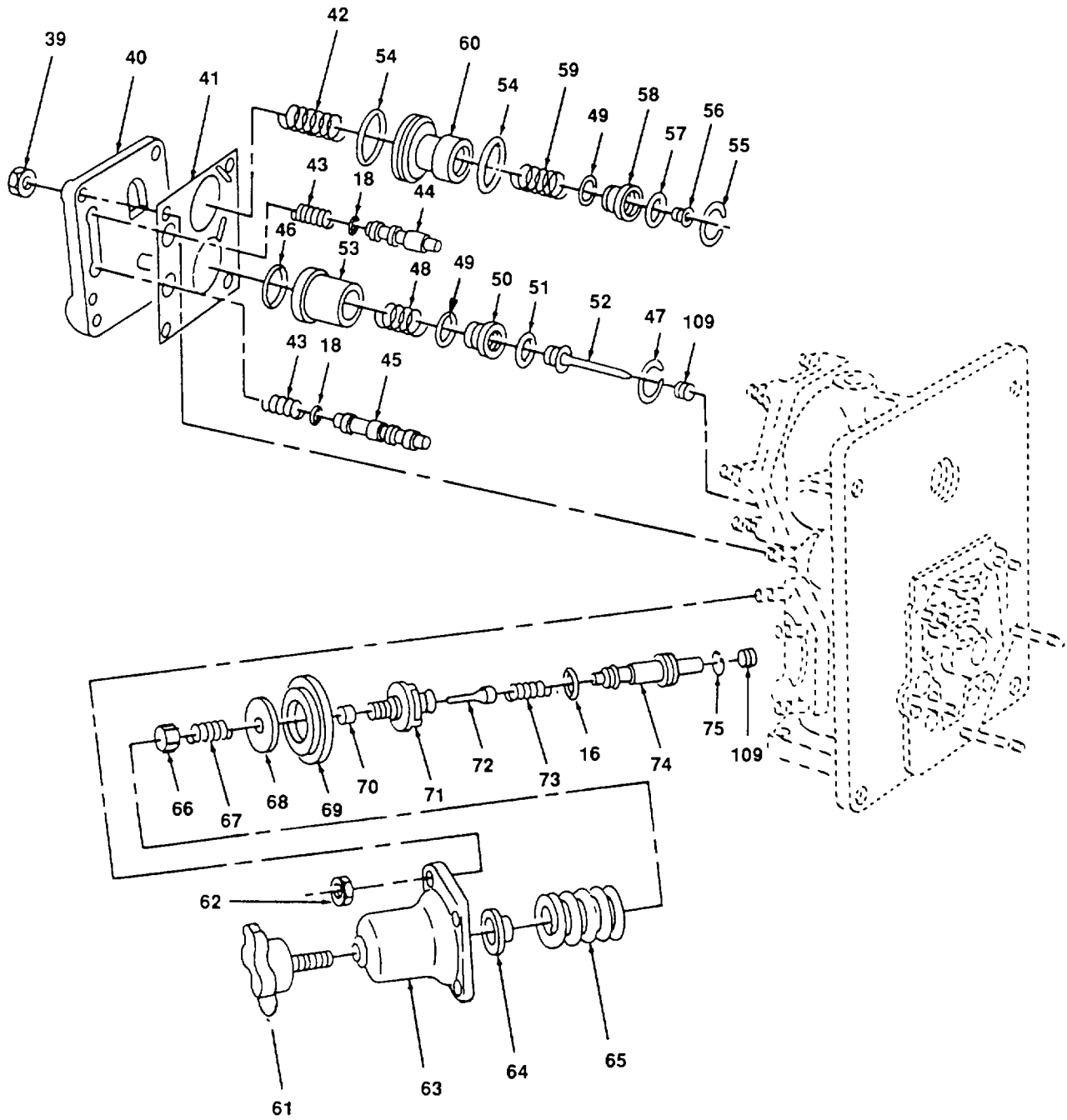


Figure 131. Valve, Automatic Brake (Sheet 2 of 3)

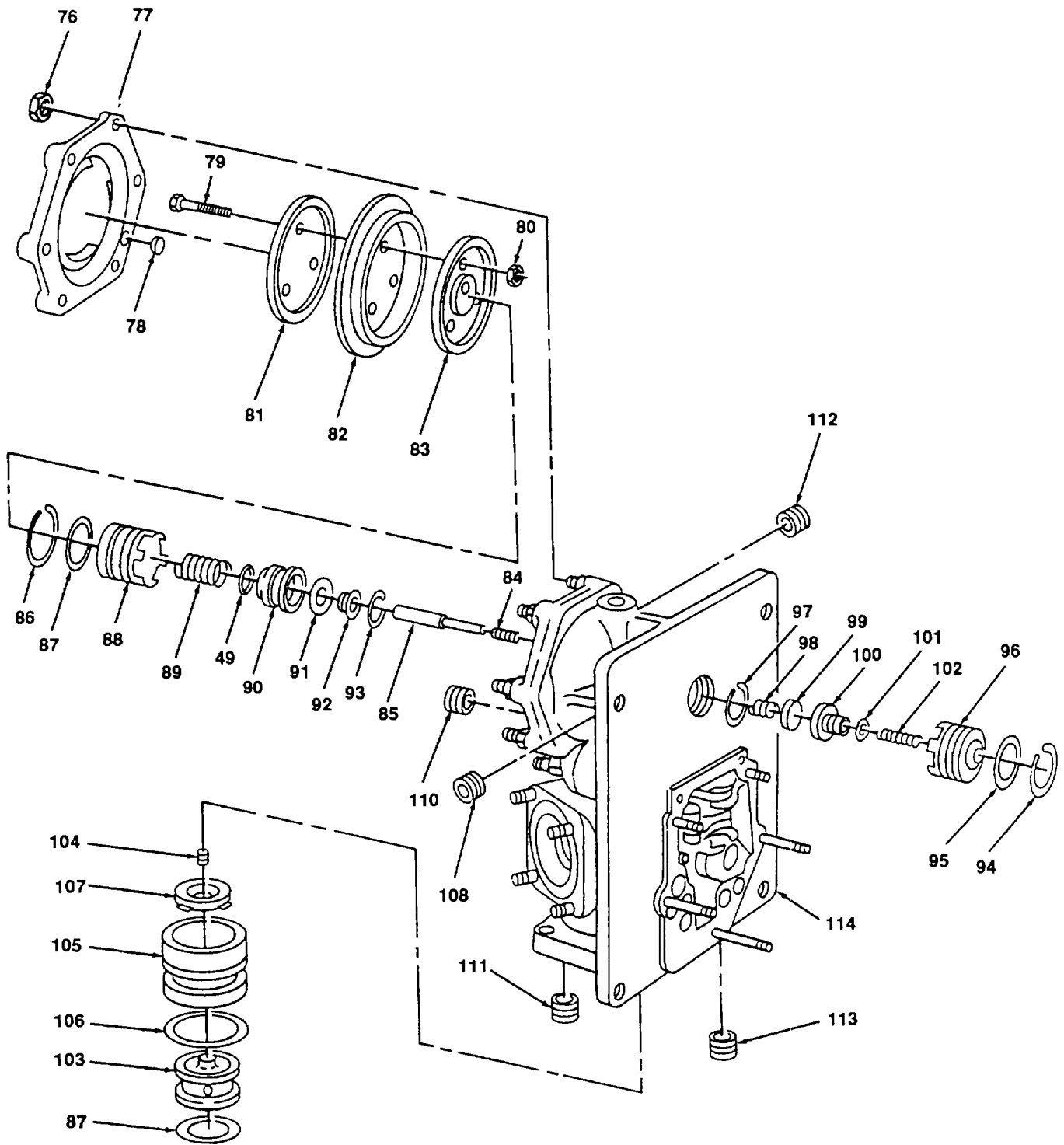


Figure 131. Valve, Automatic Brake (Sheet 3 of 3)

(1) ITEM NO.	(2) FSCM	(3) PART NUMBER	(4) DESCRIPTION AND USABLE ON CODE	(5) QTY
			GROUP 19 BRAKE SYSTEM, AIR	
			FIG 131 VALVE, AUTOMATIC BRAKE	
1	96906	MS90725	BOLT	4
2	96906	MS51922-23	NUT, LOCK	4
3	82722	562073	VALVE BRAKE, AUTOMATIC	1
4	82722	566156	SCREW, SOCKET-HEAD	1
5	82722	566155	WASHER, FLAT	1
6	82722	558495	HANDLE	1
7	82722	526640	SCREW, SOCKET-HEAD	2
8	82722	558476	QUADRANT	1
9	82722	64910	SCREW	3
10	82722	562075	VALVE, CUTOFF CONTROL KNOB	1
11	82722	570625	SPRING	1
12	82722	562074	VALVE, CUTOFF PILOT OPERATING SHAFT	1
13	82722	561715	PLATE, INSIGNIA	1
14	82722	526445	RING, RETAINING	1
15	82722	558462	PLUG	1
16	82722	524935	O-RING	4
17	82722	561717	VALVE, CUTOFF	1
18	82722	524612	O-RING	4
19	82722	558459	CAPNUT, SPILLOVER CHECK VALVE	1
20	82722	558460	RING, RETAINING	2
21	82722	529009	VALVE, CHECK	2
22	82722	562336	SPRING	2
23	82722	96500	NUT	5
24	82722	558483	CAM, HOUSING	1
25	82722	558474	SHAFT, CAM	1
26	82722	558473	VALVE, EMERGENCY CAM	1
27	82722	562090	VALVE, REGULATING CAM	1
28	82722	562089	VALVE, SUPPRESSION CAM	1
29	82722	55847n	VALVE, VENT CAM	1
30	82722	558468	PIN	1
31	82722	562303	DOG, CAM	1
32	82722	534527	O-RING	4
33	82722	534031	O-RING	1

(1) ITEM NO.	(2) FSCM	(3) PART NUMBER	(4) DESCRIPTION AND USABLE ON CODE	(5) QTY
			FIG 131 VALVE, AUTOMATIC BRAKE (CONT)	
34	82722	550673	PINS, CYLINDRICAL SPRING	2
35	82722	558467	DOGS, CAM	2
36	82722	558469	PIN, CAM	1
37	82722	559233	PIN	1
38	82722	567289	ROLLER, CAM DOG	2
39	82722		NUT	4
40	82722	558487	COVER	1
41	82722	557394	GASKET	1
42	82722	93070	VALVE, CUTOFF SPRING	1
43	82722	570511	VALVE, EMERGENCY SPRING	1
44	82722	558477	VALVE, EMERGENCY	1
45	82722	558479	VALVE, SUPPRESSION	1
46	82722	526388	O-RING	1
47	82722	536868	RETAINING RING	1
48	82722	562295	SPRING	1
49	82722	524614	O-RING	1
50	82722	558449	HOUSING	1
51	82722	557396	SEAL	1
52	82722	558484	RETAINER	1
53	82722	558482	VALVE, VENT CAGE	1
54	82722	526388	O-RING	1
55	82722	536868	RETAINING RING	1
56	82722	562300	RETAINER	1
57	82722	557396	SEAL	1
58	82722	558449	HOUSING	1
59	82722	562295	SPRING	1
60	82722	558485	VALVE, CUTOFF CAGE	1
62	82722		NUT	4
61	82722	558495	HANDLE	1
63	82722	562310	VALVE, REGULATING SPRING HOUSING	1
64	82722	566480	SEAT, SPRING	1
65	82722	562293	SPRING, ADJUSTING	1
66	82722	560415	VALVE, EXHAUST SPRING SEAT	1
67	82722	560410	SPRING	1
68	82722	562345	FOLLOWER	1

(1) ITEM NO.	(2) FSCM	(3) PART NUMBER	(4) DESCRIPTION AND USABLE ON CODE	(5) QTY
			FIG 131 VALVE, AUTOMATIC BRAKE (CONT)	
69	82722	562346	DIAPHRAGM	1
70	82722	560417	SEAT, SPRING	1
71	82722	560418	VALVE, SEAT EXHAUST	1
72	82722	560411	VALVE, INLET	1
73	82722	561135	SPRING	1
74	82722	560421	VALVE, REGULATING INLET	1
75	82722	534459	RETAINING RING	1
76	82722	96500	NUTS	6
77	82722	562317	COVER, VALVE	1
78	82722	527717	GASKET, 9/16 O D RING	1
79	82722	562299	SCREW, RETAINING	3
80	82722	17152	NUT	3
81	82722	559583	FOLLOWER, UPPER	1
82	82722	536300	DIAPHRAGM	1
83	82722	562313	FOLLOWER, LOWER	1
86	82722	540570	RETAINING RING	1
85	82722	554953	STEM, DIAPHRAGM	1
84	82722	562294	SPRING	1
87	82722	532282	O-RING	1
88	82722	562304	VALVE, EXHAUST CAGE	1
89	82722	562295	SPRING	1
90	82722	558449	HOUSING	1
91	82722	557396	VALVE, SEAL	1
92	82722	562300	RETAINER	1
93	82722	536868	RING, RETAINING	1
94	82722	558938	RING, RETAINING	1
95	82722	536239	O-RING	1
96	82722	554951	VALVE, SUPPLY CAGE	1
97	82722	850021	RING, RETAINING	1
98	82722	562301	RETAINER	1
99	82722	850047	SEAL	1
100	82722	554952	HOUSING	1
101	82722	532257	O-RING	1
102	82722	562292	SPRING, CAGE	1
103	82722	558491	VALVE, RESERVOIR CUTOFF PISTON	1

(1) ITEM NO.	(2) FSCM	(3) PART NUMBER	(4) DESCRIPTION AND USABLE ON CODE	(5) QTY
			FIG 131 VALVE, AUTOMATIC BRAKE (CONT)	
104	82722	562297	SPRING	1
105	82722	558490	VALVE, CUTOFF SEAT	1
106	82722	524715	O-RING	2
107	82722	551188	VALVE, CHECK	1
108	82722	523179	CHOKE, PLUGS	5
109	82722	523437	PLUG, HEX, 1/8 IN	2
110	82722	57585	PLUG, 3/8 CHOKE	1
111	82722	528323	PLUG, 3/8 CHOKE	1
112	82722	50716	PLUG, 3/8 CHOKE	1
113	82722	528324	PLUG, 3/8 CHOKE	1
114	82722	558440	VALVE, BRAKE BODY	1
			END OF FIGURE	