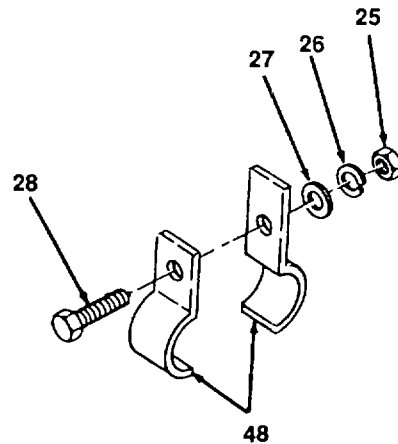


DETAIL F



DETAIL E

Figure 35. Sand System Piping (Sheet 2 of 2)

(1) ITEM NO.	(2) FSCM	(3) PART NUMBER	(4) DESCRIPTION AND USABLE ON CODE	(5) QTY
			GROUP 07 SANDER GROUP	
			FIG. 35 SAND SYSTEM PIPING	
1	39428	5140K15	UNION, MALE HALF, PIPE TO TUBE, 3/8 IN	14
2	39428	5133K12	NUT, TUBE, FLARE, 3/8 IN	12
3	81346	ASTMB280-83	TUBING, COPPER, 3/8 IN	V
4	72423	1201-060	ELBOW, 900, BLACK, 3/8 IN	9
5	81346	ASTM-A120-84	PIPE, BLACK, SCHEDULE 80, 3/8 IN	V
6	72423	1203-060	ELBOW, STREET, BLACK, THREADED	6
7	72423	2071-148	REDUCER, BUSHING, 3/4 TO 3/8 IN	2
8	72423	1201-150	ELBOW, 90-DEGREE, BLACK, THREADED, 3/4 IN	8
9	81346	ASTM-A120-84	PIPE, BLACK, SCHEDULE 80, 3/4 IN	V
10	72423	1201-199	ELBOW, REDUCING, 1-TO 3/4 IN	1
11	96906	MS51873-121B	NIPPLE, BLACK, CLOSE, 1 IN	1
12	72423	1647-200	TEE, UNION, FEMALE RUN	1
13	96906	MS51873-128B	NIPPLE, BLACK PIPE, 4 IN LONG, 1 IN	1
14	72423	2071-199	REDUCER BUSHING, 1- TO 3/4 IN	2
15	96906	MS51873-106B	NIPPLE, BLACK PIPE, 4 1/2 IN LONG, 3/4 IN	1
16	72423	1547-150	TEE, UNION, FEMALE RUN, 3/4 IN	1
17	81346	ASTM-A120-84	PIPE, BLACK, SCHEDULE 80, 1 IN	V
18	72423	1201-200	ELBOW, 90-DEGREE, THREADED, 1 IN	1
19	82722	578322	FITTING, 90-DEGREE ELBOW, WELD	1
20	96906	MS51967-9	NUT, HEX, 3/8 IN	11
21	96906	MS35338-46	WASHER, LOCK, 3/8 IN	11
22	96906	MS27183-14	WASHER, FLAT, 3/8 IN	11
23	96906	MS90725-64	SCREW, HEX, 3/8 IN	10
24	97403	13228e2146-18	CLAMP, PIPE, SINGLE, 3/4 IN	10
25	96906	MS51967-10	NUT, HEX, 5/16 IN 5	10
26	96906	MS35338-45	WASHER, LOCK, 5/16 IN	5
27	96906	MS27183-12	WASHER, FLAT 5/16 IN	5
28	96906	MS90725-38	SCREW, HEX, 5/16 IN	5
29	97403	13228E2146-25	CLAMP, PIPE, SINGLE, 3/8 IN	5
30	97403	13228E2146-50	CLAMP, PIPE, SINGLE, 1 IN	1
31	96906	MS51967-06	NUT, HEX, 1/4 IN	4
32	96906	MS35338-44	WASHER, LOCK, 1/4 IN	4
33	96906	MS27183-10	WASHER, FLAT, 1/4 IN	4
34	96906	MS90725-	SCREW, HEX, 3/4 IN X 1 3/4 IN	4

(1) ITEM NO.	(2) FSCM	(3) PART NUMBER	(4) DESCRIPTION AND USABLE ON CODE	(5) QTY
			FIG. 35 SAND SYSTEM PIPING (CONT)	
35	97403	13228E2146-69	CLAMP SPACER, 3/8 IN	2
36	96906	MS51873-105B	NIPPLE, BLACK, 4 IN LONG, 3/4 IN	2
37	96906	MS51873-61B	NIPPLE, BLACK, 5 IN LONG, 3/8 IN	1
38	72423	2071-149	REDUCER, BUSHING, 3/4- TO 1/2 IN	2
39	72423	1201-100	ELBOW, PIPE, 90-DEGREE THREADED	2
40	81346	ASTM-A120-84	PIPE, BLACK, SCHEDULE 80, 1/2 IN	V
41	72423	2071-099	REDUCER, BUSHING, 1/2- TO 3/8 IN	2
42	72423	1221-100	TEE, BLACK PIPE, THREADED, 1/2 IN	1
43	96906	MS51873-49B	NIPPLE, BLACK THREADED CLOSE	1
44	96906	MS35872-4	NUT, FLARE, 1/2 IN	10
45	04741	55229	TUBING, COPPER, 1/2 IN	V
46	5068K26	39428	UNION, HALF, 3/8 PIPE TO 1/2 IN TUBE	5
47	96905	MS35929-4	TEE, TUBING, FLARE	1
48	97403	13228E2146-53	CLAMP, PIPE, SINGLE, 1/2 IN	3
49	97403	13228E2146-62	CLAMP, PIPE, DOUBLE, 3/8 IN	2
			END OF FIGURE	