

Figure 122. Rocket Levers Housing Assembly

(1) ITEM NO.	(2) FSCM	(3) PART NUMBER	(4) DESCRIPTION AND USABLE ON CODE	(5) QTY
			GROUP 18 ENGINE GROUP	
			FIG. 122 ROCKER LEVER AND HOUSING	
1	15434	3010589	CAPSCREW, CAPTIVE	18
2	15434	3017750	GASKET, HOUSING TO HEAD	3
3	15434	AR-3307	HOUSING, ROCKER LEVER ASSEMBLY	3
4	15434	168319	SCREW, ROCKER LEVER SHAFT	3
5	15434	218736	PLUG, EXPANSION	6
6	15434	3000521	O-RING	6
7	15434	140297	SHAFT, ROCKER LEVER	3
8	15434	BM-95162	LEVER ASSEMBLY, EXHAUST VALVE	3
9	15434	S-212	NUT, ADJUSTING SCREW	1
10	15434	168306	SCREW, ADJUSTING	1
11	15434	208084	RIVET, BLIND	1
12	15434	104330	BUSHING, LEVER	1
13	15434	169705	LEVER	1
14	15434	AR-02308	LEVER ASSEMBLY, INJECTOR ROCKER	2
15	15434	S-212	NUT, ADJUSTING SCREW	1
16	15434	168306	SCREW, ADJUSTING	2
17	15434	208084	RIVET, BLIND	1
18	15434	194037	SOCKET	2
19	15434	218153	BUSHING, LEVER	1
20	15434	218152	LEVER, INJECTOR ROCKER	2
21	15434	BM-95160	LEVER ASSEMBLY, INTAKE VALVE	3
22	15434	S-212	NUT, ADJUSTING SCREW	1
23	15434	168306	SCREW, ADJUSTING	1
24	15434	208084	RIVET, BLIND	1
25	15434	140330	BUSHING, LEVER	1
26	15434	168803	LEVER, INTAKE VALVE	1
27	15434	BM-95160	LEVER ASSEMBLY, INTAKE VALVE	3
28	15434	S-212	NUT, ADJUSTING SCREW	1
29	15434	168306	SCREW, ADJUSTING	1
30	15434	208084	RIVET, BLIND	1
31	15434	140330	BUSHING, LEVER	1
32	15434	168805	LEVER, INTAKE	1
33	15434	BM95159	LEVER ASSEMBLY, VALVE	1
34	15434	S-212	NUT, ADJUSTING SCREW	1

(1) ITEM NO.	(2) FSCM	(3) PART NUMBER	(4) DESCRIPTION AND USABLE ON CODE	(5) QTY
35	15434	168306	FIG. 122 ROCKER LEVER AND HOUSING (CONT)	
36	15434	208084	SCREW, ADJUSTING	1
37	15434	140330	RIVET, BLIND	1
38	15434	168805	BUSHING, LEVER	1
39	15434	3007242	LEVER, INTAKE VALVE	1
			HOUSING	3
			END OF FIGURE	

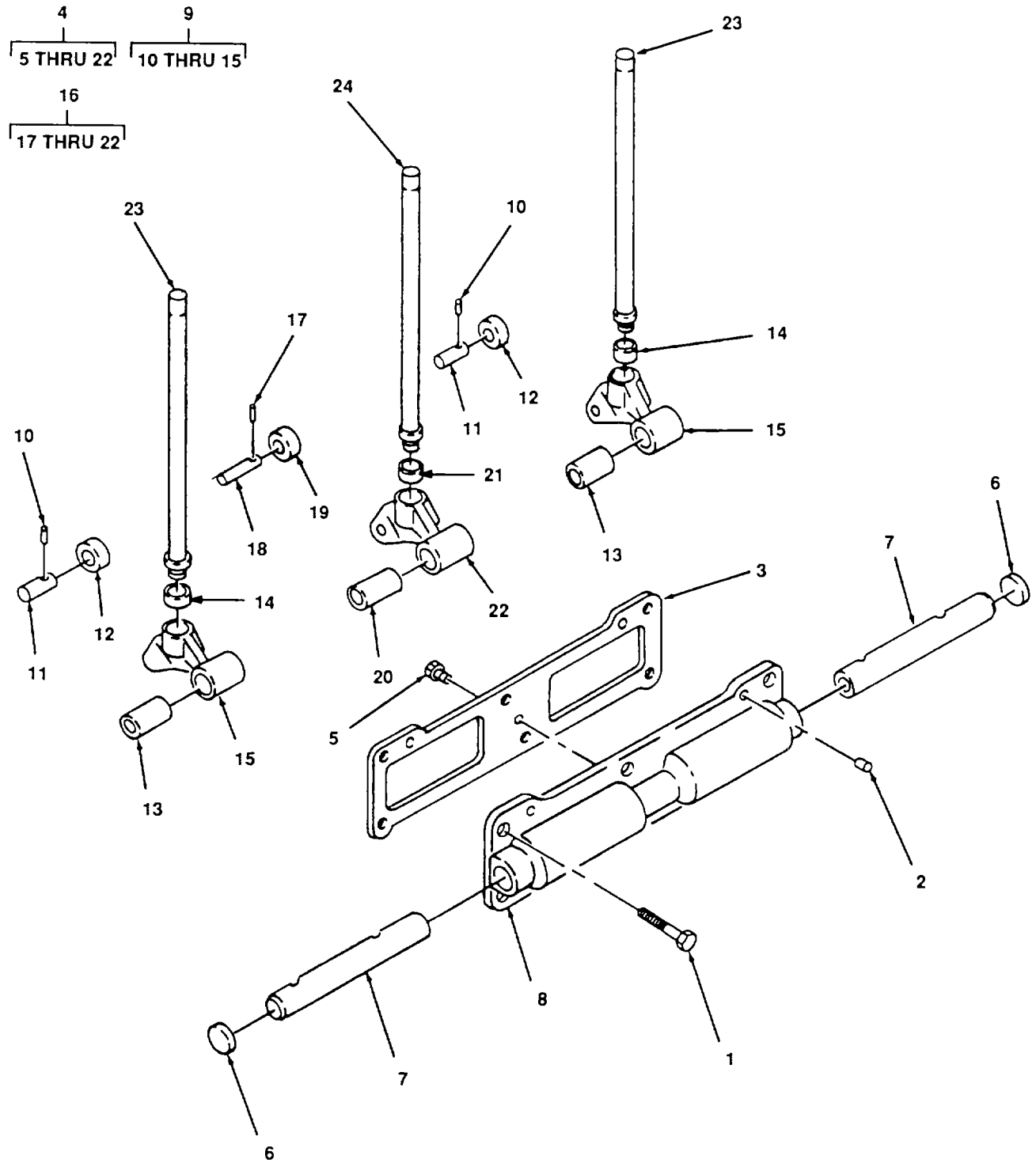


Figure 123. Push Rods and Cam Followers