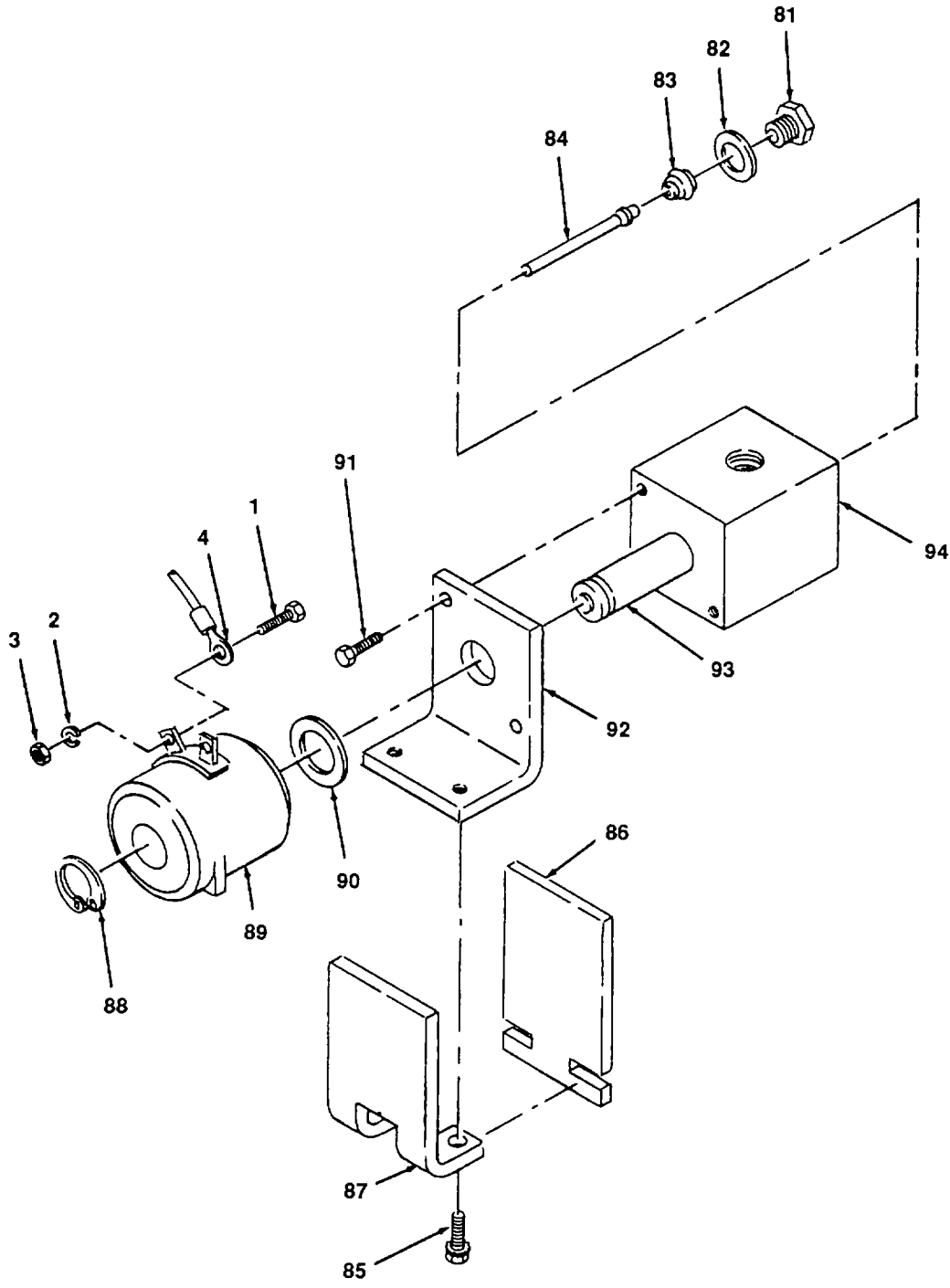


4834-053 1

Figure 53. Reverser (Sheet 1 of 2)



DETAIL A

Figure 53. Reverser (Sheet 2 of 2).

(1) ITEM NO.	(2) FSCM	(3) PART NUMBER	(4) DESCRIPTION AND USABLE ON CODE	(5) QTY
			GROUP 10 BRAKE SYSTEM, AIR	
			FIG. 53 REVERSER	
1	96906		SCREW, #10	2
2	96906	MS35338-43	WASHER, LOCK, #10	18
3	96906	MS356049-202	NUT, #10	18
4			LEAD, ELECTRICAL, MAKE FROM, WIRE, 14 AWG P/N 8491796 (72915), LUG 14 AWG #10 STUD 31906(89110), REF DES, 1CC 531H, CCA N61, N62, SD 11R, CC, SD11S, 2SD51K, CCA, 1CC61Z, 1AA1, 1AA2, N60, CC, 10C 53K, N61, AA2, 1AA3, 1AA4	
5	96906	MS90725-66	SCREW BOLT	4
6	96906	MS27183-14	WASHER, FLAT	4
7	96906	MS35338-46	WASHER, LOCK	4
8	96906	MS51967-09	NUT, HEX	
9			LEAD, ELECTRICAL, MAKE FROM, CABLE 3/0, LUG 3/8 STUD, REF DES, FI, FF1, FF2, F2, F3, AA3, FF3J, FF4, AA4, F4J, FS1J, AM1, FF1J, AM1, FF1J, FS2J, 16AA1, F2J, FS2J, 1GAA1, F2J, FS3J, 1GAA2, FF3, FS4J, AM2, F4	4
10	96906	MS51967-15	NUT	2
11	96906	MS35338-48	WASHER, LOCK	2
12	96906	MS27183-18	WASHER, FLAT	4
13	96906	MS90725	SCREW, HEX-HEAD	2
14	80971	17DP21C3	REVERSER	1
15	80971	41C600937P10	HOSE	1
16	96906	MS51504-B4-4	ELBOW	1
17	80971	N5700P31	PLUG, PIPE	1
18	01276	2021-8-10B	ADAPTER	1
19	80971	N5704P316B	NIPPLE	2
20	80971	N5701P103	TEES	2
21	80971	N26P23032B	BOLTS	2
22	80971	N405P42B	WASHER, LOCK	2
23	80971	17MV38A12	VALVE, MAGNET ASSY	2
24	80971	6714650P1	GASKET	2
25	80971	N44P25010B	SCREW	4

(1) ITEM NO.	(2) FSCM	(3) PART NUMBER	(4) DESCRIPTION AND USABLE ON CODE	(5) QTY
			FIG. 53 REVERSER (CONT)	
26	80971	N405P43B	WASHERS, LOCK	24
27	96906	MS51967-09	NUT	2
28	96906	MS90725-66	SCREW, HEX-HEAD	2
29	96906	MS35338-46	WASHER, LOCK	2
30	80971	6742812G3	INTERLOCK	1
31	80971	487A212P1	SPRING, TENSION	1
32	80971	N504P2820	PIN, COTTER	1
33	80971	N203P29B	NUT	10
34	80971	N22P29028B	BOLT	10
35	80971	N405P45B	WASHER, LOCK	11
36	80971	6742810G2	ASSEMBLY, PAWL	1
37	80971	N203P25B	NUT, LOCK	21
38	80971	N72P2520B	SETSCREW	1
39	80971	6742810G1	LEVER, ASSY OPERATING	1
40	80971	N3400P607	KEY, WOODRUFF	1
41	80971	N402P13B	WASHER, FLAT, 3/8 IN	40
42	80971	426C379G1	FINGER	8
43	80971	41A252683P2	BOLT, CARRIAGE, 2 3/4 IN	8
44	80971	41A262072P5	SPACERS	8
45	80971	8800596P1	SUPPORTS	4
46	80971	N22P29020B	BOLTS, CARRIAGE	10
47	80971	880058861	ROD	2
48	80971	8800589G1	ROD	
49	80971	8800588G1	SLEEVE	1
50	80971	880058P1	SLEEVES	8
51	80971	8800585P1	SLEEVES	10
52	80971	MS90725-70	BOLTS, HEX-HEAD, 3/8-16 X 3 IN	8
53	80971	311V223P1	BUS BARS	4
54	80971	496A427G1	SUPPORTS	8
55	80971	41A262072P4	SPACERS, 0 615 IN	8
56	80971	N22P25044B	BOLT, HEX-HEAD, 3/8-16 X 2 3/4	4
57	80971	496A428G1	SUPPORTS	4

(1) ITEM NO.	(2) FSCM	(3) PART NUMBER	(4) DESCRIPTION AND USABLE ON CODE	(5) QTY
			FIG. 53 REVERSER (CONT)	
58	80971	N44P14016B	BOLT	16
59	80971	N405P38B	WASHER, LOCK	16
60	80971	311V255P1	SUPPORT	8
61	80971	729074P1	SPRING	8
62	80971	8800594P1	SEAT	8
63	80971	6750344G2	FRAME, TOP END	1
64	80971	41A251410P8	BUSHING, 0 878 IN ID, BRONZE	1
65	80971	41A250534P1	BEARING, THRUST	1
66	80971	8800584P1	SLEEVE, 59/64 IN LONG	1
67	80971	496A427G1	SUPPORT BARRIERS	4
68	80971	8800590P1	INSULATORS	3
69	80971	8800592P1	SHAFT	1
70	80971	498A624P1	SLEEVE, 13/16 IN LONG	1
71	80971	311V750P1	SPACER	1
72	80971	6742614G1	FRAME, BOTTOM END	1
73	80971	8800663P1	BLOCK, GUIDE	1
74	80971	N22P23014B	BOLT, HEX-HEAD	8
75	80971	9964324P1	HEAD, CYLINDER	2
76	80971	6715989P1	GASKET	2
77	80971	41A260076P2	NUT, SELF-LOCKING	2
78	80971	41A251866P3	PACKING	2
79	80971	41B550968P1	FOLLOWER	2
80	80971	6735780G2	PISTON	2
81	80971	41A251655P1	CAP PLUG	1
82	80971	499960P1	GASKET	1
83	80971	41A274588P1	SPRING, COMPRESSION	1
84	80971	41A251653P1	VALVE, INLET	1
85	80971	8823750P234	SCREW, W/LOCKWASHER #10-32 X 3/8	2
86	80971	41A251647P1	ARMATURE	1
87	80971	8818143P1	ARMATURE, GUIDE	1
88	80971	N900P75	RING, RETAINING	1
89	80971	9960925G1	COIL	1
90	80971	881 0476P1	WASHER, RUBBER	1
91	80971	N84P16008B	SCREWS	2
92	80971	41B550459P1	MAGNET, FRAME	1

(1) ITEM NO.	(2) FSCM	(3) PART NUMBER	(4) DESCRIPTION AND USABLE ON CODE	(5) QTY
93 94	80971 80971	41A251652P1 41A251658G2	FIG. 53 REVERSER (CONT) VALVE, STEM 1 VALVE, BODY END OF FIGURE	