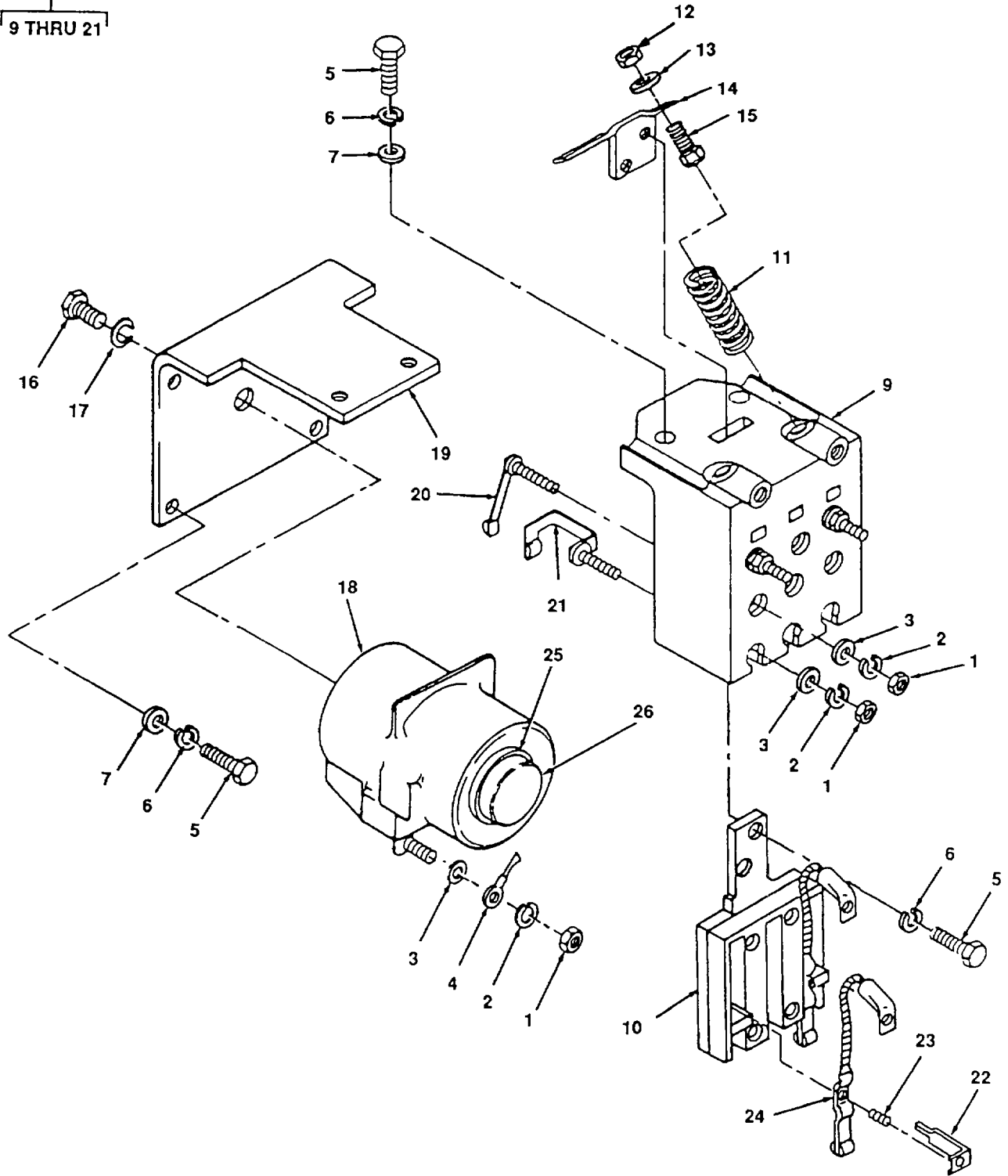


8
9 THRU 21



4834-052

Figure 52. Relay, Wheel Slip

(1) ITEM NO.	(2) FSCM	(3) PART NUMBER	(4) DESCRIPTION AND USABLE ON CODE	(5) QTY
			GROUP 10 BRAKE SYSTEM, AIR	
			FIG. 52 RELAY, WHEEL SLIP	
1	96906	N210P16B	NUT, #10	8
2	96906	N405P39B	WASHER, LOCK #10	8
3	96906	N402P9B	WASHER, FLAT #10	8
4			LEAD, ELECTRICAL, MAKE FROM, 14 AWG 8491796 (72915) TERMINAL , STUD, 14-16 AWG, #10, P/N 31906 (89110), REF DES, (WSR1), J, J, WS, 22CP, 23CP, WSB, 1AA2, (WSR2), J, J, WSA, 22CP, 21CP, NSB, 1WSB, 1AA4	
5	96906	MS90725-8	SCREW, HEX-HEAD, 1/4-20 X 1 IN	6
6	96906	MS35338-44	WASHER, LOCK, 1/4	6
7	96906	MS27183-10	WASHER, FLAT, 1/4	6
8	80971	17LV66AA19	RELAY, SLIP WHEEL ASSEMBLY (WS41, WSR2)	
9	80971	8831782P1	SUPPORT, BLOCK ASSEMBLY	1
10	96906	6743654G3	ARMATURE	1
11	80971	498A357P1	SPRINGS	2
12	96906	N210P14B6	NUT	2
13	96906	N404P13B	WASHER, LOCK	2
14	80971	8831781P4	SEAT, SPRING	1
15	96906	N57P12010B6	STUD	2
16	96906	MS90725-32	BOLT, SL, HEX-HEAD, 5/16 IN -18, 3/4 IN LONG	1
17	96906	MS27183-45	WASHER, LOCK, 5/16	1
18	80971	9960940G1	COIL, OPERATING	1
19	80971	8867935G1	FRAME, MAGNET	1
20	80971	8860749G1	FINGER, CLOSED	1
21	80971	6700284G1	FINGER, OPEN	1
22	80971	8823863P1	RETAINER	2
23	80971	8823868P1	SPRING	2
24	80971	8860749G1	CONTACT FINGER	2
25		41A25011P1	WASHER, SPRING	1
26		9960712G1	CORE	1
			END OF FIGURE	