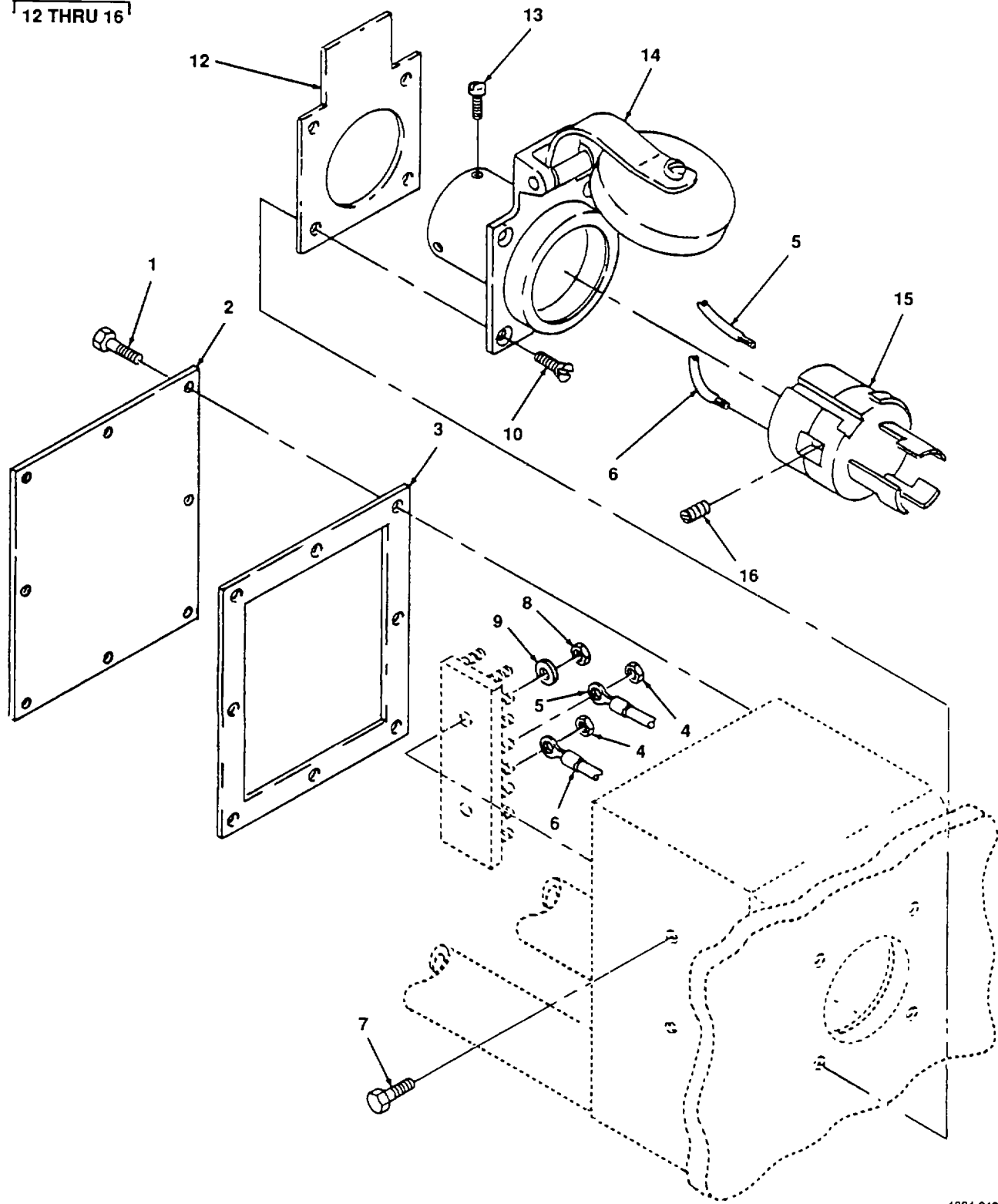


11
12 THRU 16



4834 043

Figure 43. Receptacle, Engine Heater

(1) ITEM NO.	(2) FSCM	(3) PART NUMBER	(4) DESCRIPTION AND USABLE ON CODE	(5) QTY
			GROUP 08 ELECTRICAL ACCESSORIES	
			FIG 43. RECEPTACLE, ENGINE HEATER	
1	96906	MS-24617	SCREW, SHEETMETAL, PAN HEAD #10	8
2	07858	57-0270-1	COVER, BACK	1
3	07858	57-0270-2	GASKET	1
4	07858	830288	NUT, HEX, SELF LOCKING, 1/4 IN	4
5			LEAD, ELECTRICAL, 12 AWG STD, MADE FROM, P/N 849176 (72915), TERMINAL, 1/4 IN STUD, 31900 (89110) REF DES, (TB37), IER37A, IER37B, IER37C, EH37A, EH37B, EH37C, (TB38), 2ER38A, 2ER38B, 2ER38C	2
6			LEAD, ELECTRICAL, 6 AWG STD, MADE FROM, P/N 9326091 (72915), TERMINAL, 1/4 IN STUD P/N 31900 (89110), REF DES, 37A38A, 37B38B,37C38C	2
7	96906	MS35206-283	SCREW, PAN HEAD	2
8	96906	MS51922-1	NUT, LOCKING 25-20 X 75	2
9	96906	MS27183-10	WASHER, FLAT, 25 ROUND	2
10	96906	24616	SCREWS, FLAT HEAD, #10	4
11	07858	63CR72	RECEPTACLE, ENGINEHEATER ASSY	2
12	07858		GASKET	1
13	07858		SCREW	3
14	07858		RECEPTACLE, HOUSING	1
15	07858		RECEPTACLE	1
16	07858		SCREW, SET	3
			END OF FIGURE	