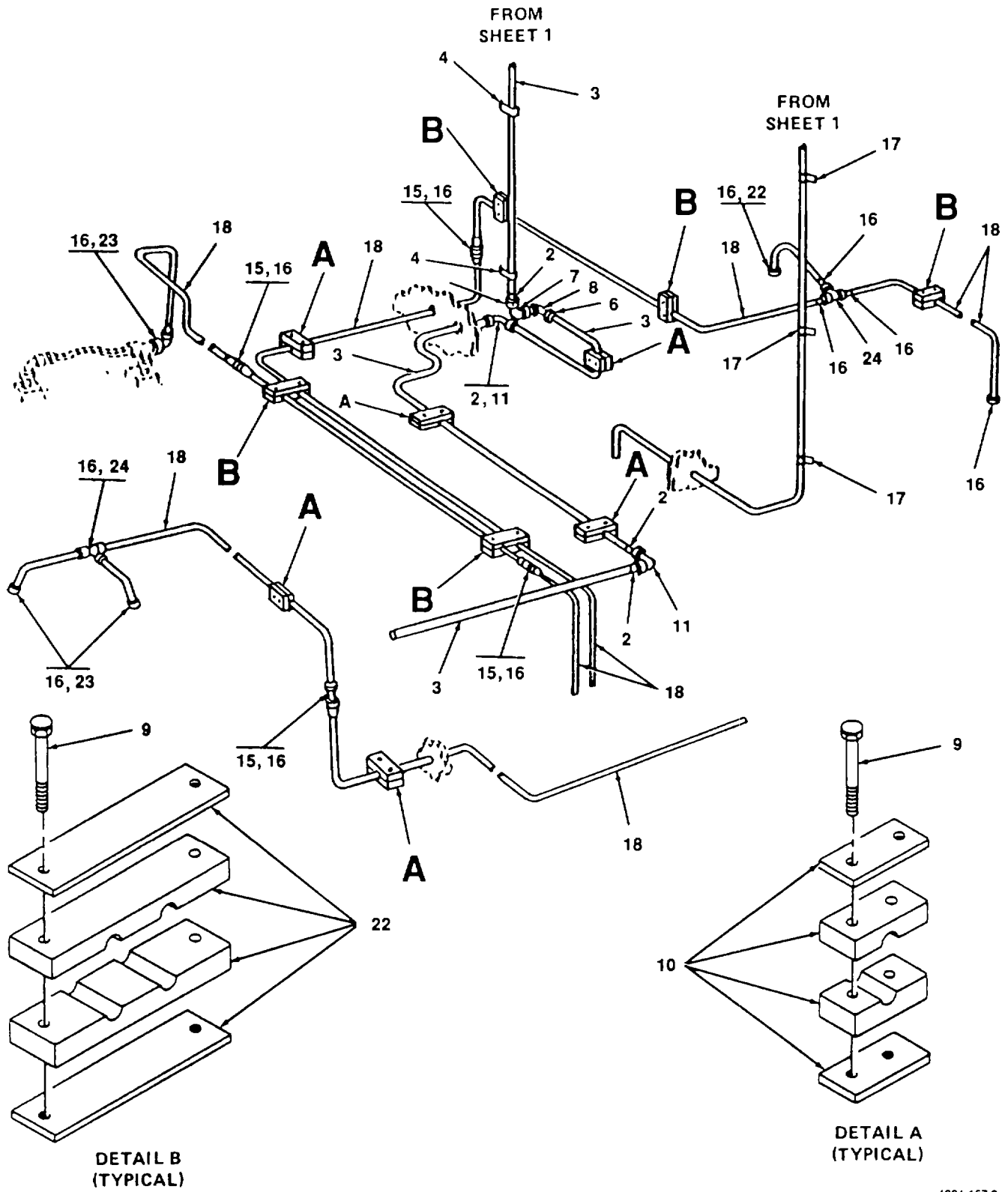


Figure 157. Piping, Cab Air (Sheet 1 of 2)



4834 157 2

Figure 157. Piping, Cab Air (Sheet 2 of 2).

(1) ITEM NO.	(2) FSCM	(3) PART NUMBER	(4) DESCRIPTION AND USABLE ON CODE	(5) QTY
			GROUP 24 PIPING SYSTEMS	
			FIG. 157 CAB AIR PIPING	
1	96906	MS51504-B8-8	ELBOW, 90 DEGREE, PIPE TO TUBE, 1/2 IN	1
2	96906	MS35872-48	NUT, FLARE, 1/2 IN	9
3	95535	55229	TUBING, COPPER, 1/2 IN.	V
4	96906	MS21333-71	CLAMP, TUBING, 1/2 IN.	6
5	95535	642F1-2	COUPLING, TUBING	1
6	96906	MS51500-B8	ADAPTER, STRAIGHT, 3/8 TO 1/2 IN.	1
7	72423	1001-060	ELBOW, PIPE, 3/8 IN	1
8	72423	1003-060	ELBOW, STREET, 3/8	1
9	96906	MS90725-10	SCREW, HEX, 1/4 X1 1/2 IN.	22
10	97403	13228E2153-16	CLAMP TUBE, SINGLE, 1/2 IN.	6
11	96906	MS51050-B8	ELBOW, FLARE	2
12	96906	MS51873-17	NIPPLE, PIPE, 1/2 X 6 IN	2
13	96906		VALVE, GATE, 1/4 IN (NSN 4820-00-289-2143)	2
14	96906		HOSE, W/ADAPTER (NSN 4720-00-767-4273)	2
15	30327	642F1-4	UNION, TUBING, 1/4 IN.	5
16	96906	MS35872-2B	NUT, FLARE	19
17	96906	MS21333-67	CLAMP, TUBING, 1/4 IN	15
18	04741	IBC9350	TUBING, COPPER, 1/4 IN	V
19	13174	651-F-04X04	TEE, RUN, 1/8 TO 1/4 IN	1
20	96906	MS51504-B4	ADAPTER, ELBOW, 1/8 TO 1/4 IN	1
21	96906	MS51953-13	NIPPLE, PIPE, 1/4 X4 IN	1
22	97403	13228E2153-24	CLAMP, TUBE, DOUBLE, 1/4 IN	6
23	96906	MS51504-B4-4	ELBOW, 90 DEGREE, PIPE TO TUBE, 1/4 IN	5
24	96906	MS49008-1	TEE, TUBING, 1/4 IN.	2
25	96906	MS51873-14B8	NIPPLE, CLOSE	1
26	72423	1201-299	ELBOW, REDUCING PIPE, 1 1/2 TO 1 1/4 IN	1
27	96906	MS51673-169B	NIPPLE, CLOSE, 1 1/2 IN.	1
28	72423	1201-300	ELBOW, PIPE, 1 1/2 IN.	1
29	72423	ASTM-A120	PIPE, SCHED 80, 1 1/2 IN	V
30	82722	565262	FLANGE, 1 1/4 IN	1
31	72423	ASTM-A120	PIPE, SCHED 80, 1 1/4 IN	1
			END OF FIGURE	