

1
2 THRU 15

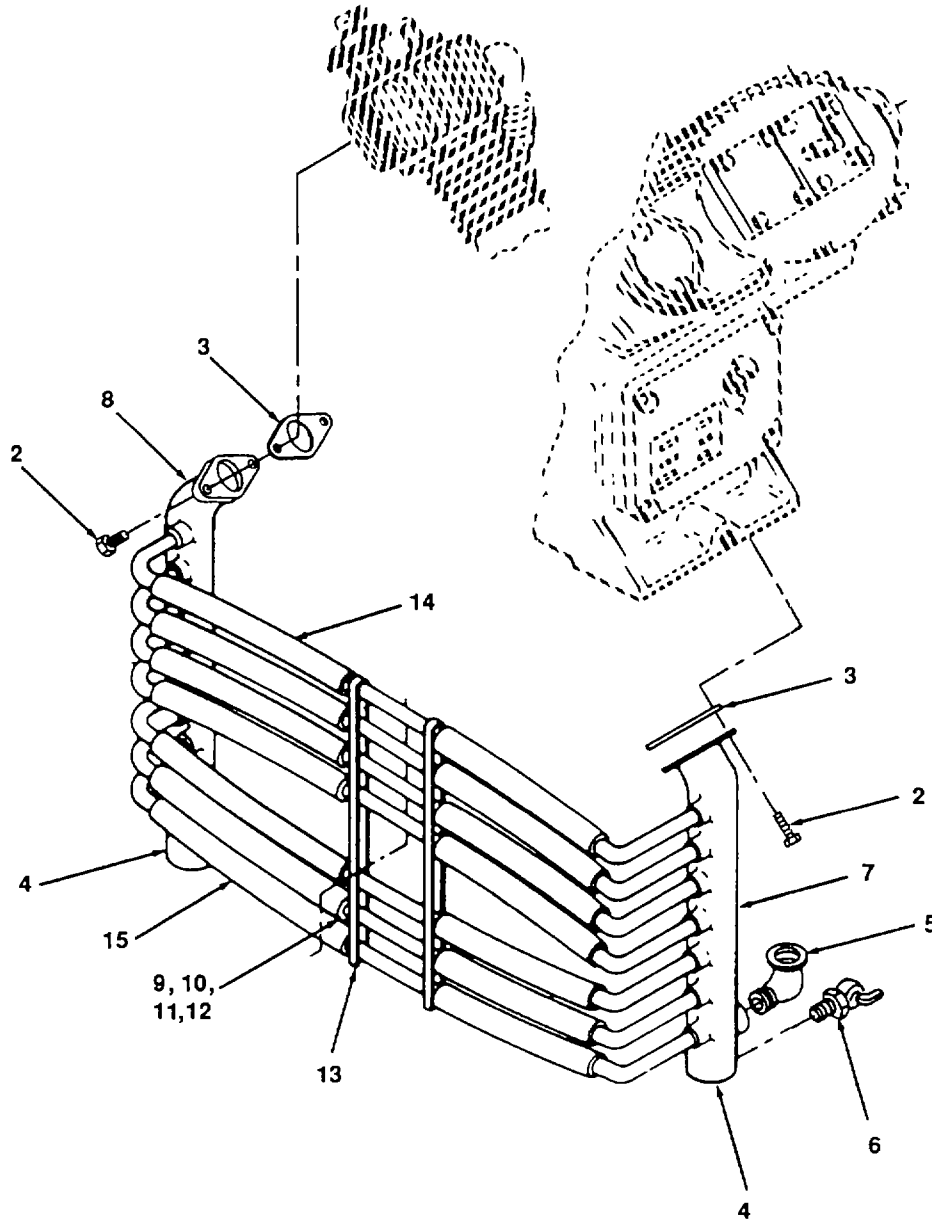


Figure 88. Intercooler.

(1) ITEM NO.	(2) FSCM	(3) PART NUMBER	(4) DESCRIPTION AND USABLE ON CODE	(5) QTY
			GROUP 16 AIR COMPRESSOR ASSEMBLY	
			FIG. 88 INTERCOOLER	
1	2K654	2ADL243A	INTERCOOLER ASSEMBLY	1
2	2K654	75A18	SCREW, CAP HEX-HEAD	4
3	2K654	25C692	GASKET, ELLIPTICAL	2
4	2K654	64B4	PLUG, CSK PIPE	2
5	2K654	64D10	ELBOW, PIPE STREET	1
6	2K654	90W1	COCK, DRAIN	2
7	2K654	3ADL476	HEADER, INTERCOOLER, LOW PRESSURE	1
8	2K654	2ADL476	HEADER, INTERCOOLER, HIGH PRESSURE	1
9	2K654	75A51	SCREW, CAP HEX-HEAD	10
10	2K654	80A89	SPACER, INTERCOOLER TUBE BRACE	10
11	2K654	50B1	HUT, HEX, TUBE BRACE	10
12	2K654	95H1	WASHER, LOCK, TUBE BRACE	10
13	2K654	ADL613	BRACE, INTERCOOLER TUBE	2
14	2K654	3ADL243	TUBE, INTERCOOLER UPPER	4
15	2K654	2ADL243	TUBE, INTERCOOLER LOWER	3
			END OF FIGURE	