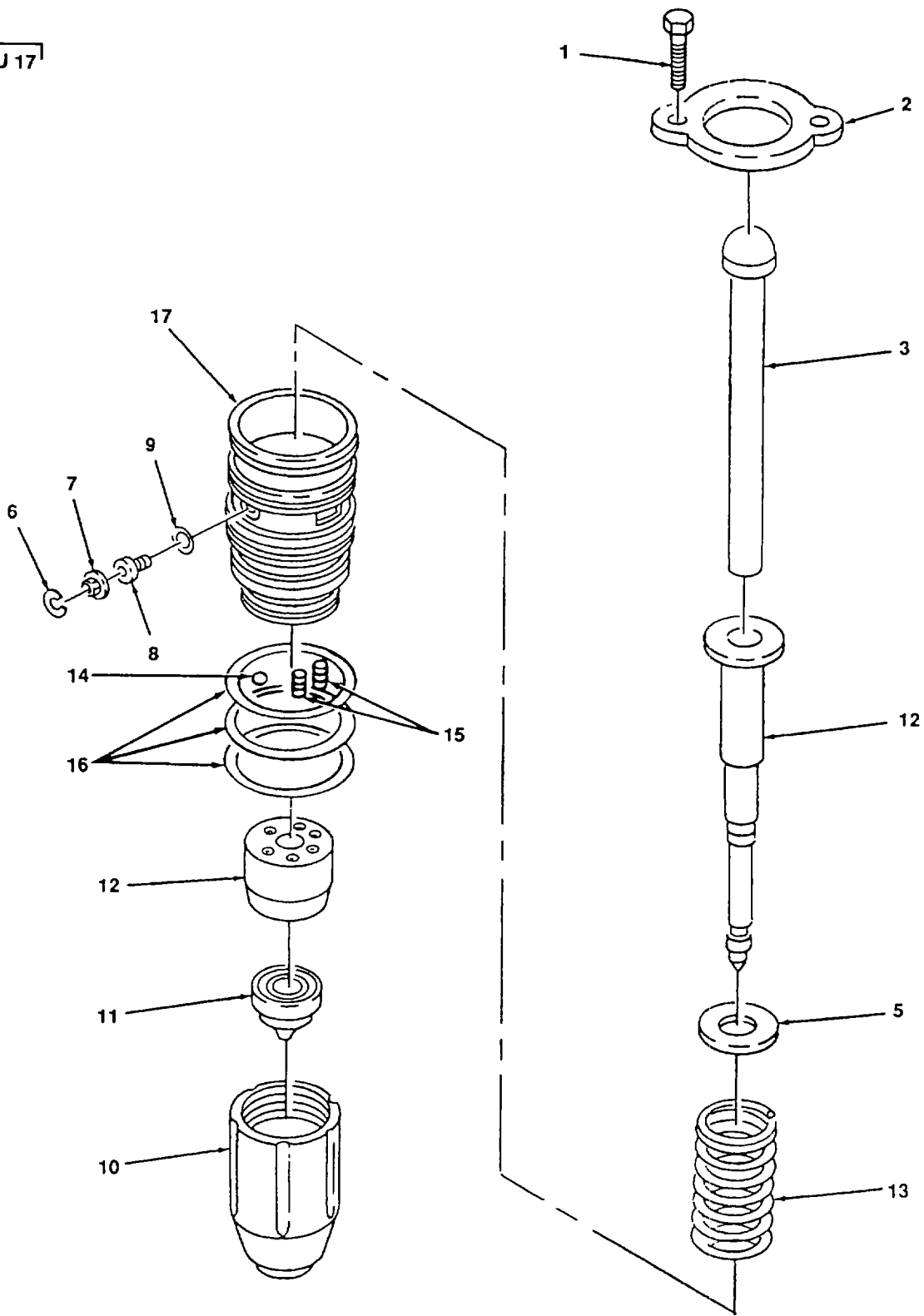


4
5 THRU 17



4834-109

Figure 109. Fuel Injector.

(1) ITEM NO.	(2) FSCM	(3) PART NUMBER	(4) DESCRIPTION AND USABLE ON CODE	(5) QTY
			GROUP 18 ENGINE GROUP, DIESEL	
			FIG. 109 FUEL INJECTORS	
1	15434	3028279	CAPSCREW	12
2	15434	3031137	CLAMP, INJECTOR	6
3	15434	191916	LINK, INJECTOR	6
4	15434	3018217	INJECTOR, FUEL LESS LINK	6
5	15434	180626	WASHER	6
6	15434	174299	CLIP, FILTER SCREEN	6
7	15434	30308706	SCREEN, FILTER	6
8	15434	3024914	PLUG	6
9	15434	173086	GASKET, ORIFICE	6
10	15434	185138	RETAINER, CUP	6
11	15434	3012538	CUP, INJECTOR	6
12	15434	3022552	PLUNGER AND BARREL	6
13	15434	166009	SPRING, INJECTOR	6
14	15434	167157	BALL, CHECK	6
15	15434	203426	PIN, SPIROL	12
16	15434	193736	O-RING	18
17	15434	185139	ADAPTER, INJECTOR	6
			END OF FIGURE	