

5  
6 THRU 16

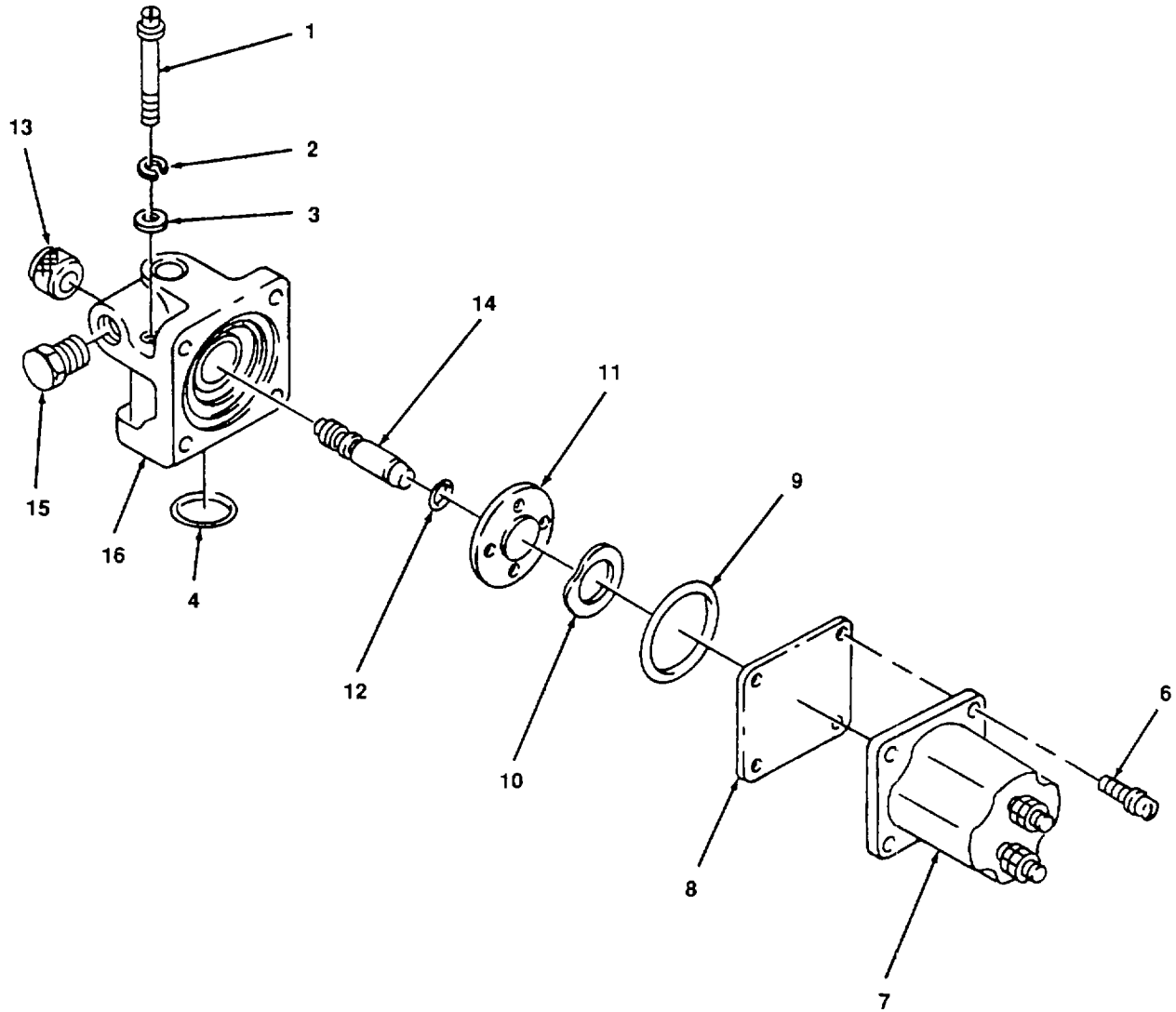


Figure 110. Engine Shutdown Valve.

(1) ITEM NO.	(2) FSCM	(3) PART NUMBER	(4) DESCRIPTION AND USABLE ON CODE	(5) QTY
			GROUP 18 ENGINE GROUP, DIESEL	
			FIG. 110 ENGINE SHUTDOWN VALVE	
1	15434	S-189-C	CAPSCREW	2
2	15434	181466	WASHER, LOCK	2
3	15434	67684	WASHER, FLAT	2
4	15434	154087	RING, SEALING	1
5	15434	3035344	VALVE ASSEMBLY, SHUTDOWN	1
6	15434	187556	SCREW	4
7	15434	134074	SOLENOID	1
8	15434	129839	SHIELD, FUEL	1
9	15434	129888	O-RING	1
10	15434	129768	SPRING	1
11	15434	3030970	VALVE	1
12	15434	190876	O-RING	1
13	15434	129838	KNOB	1
14	15434	3000266	SHAFT, SHUTOFF VALVE	1
15	15434	3025458	PLUG, PIPE	1
16	15434	129826	HOUSING, VALVE	1
			END OF FIGURE	