

4834-158 1

Figure 158. Electrical Conduit (Sheet 1 of 3)

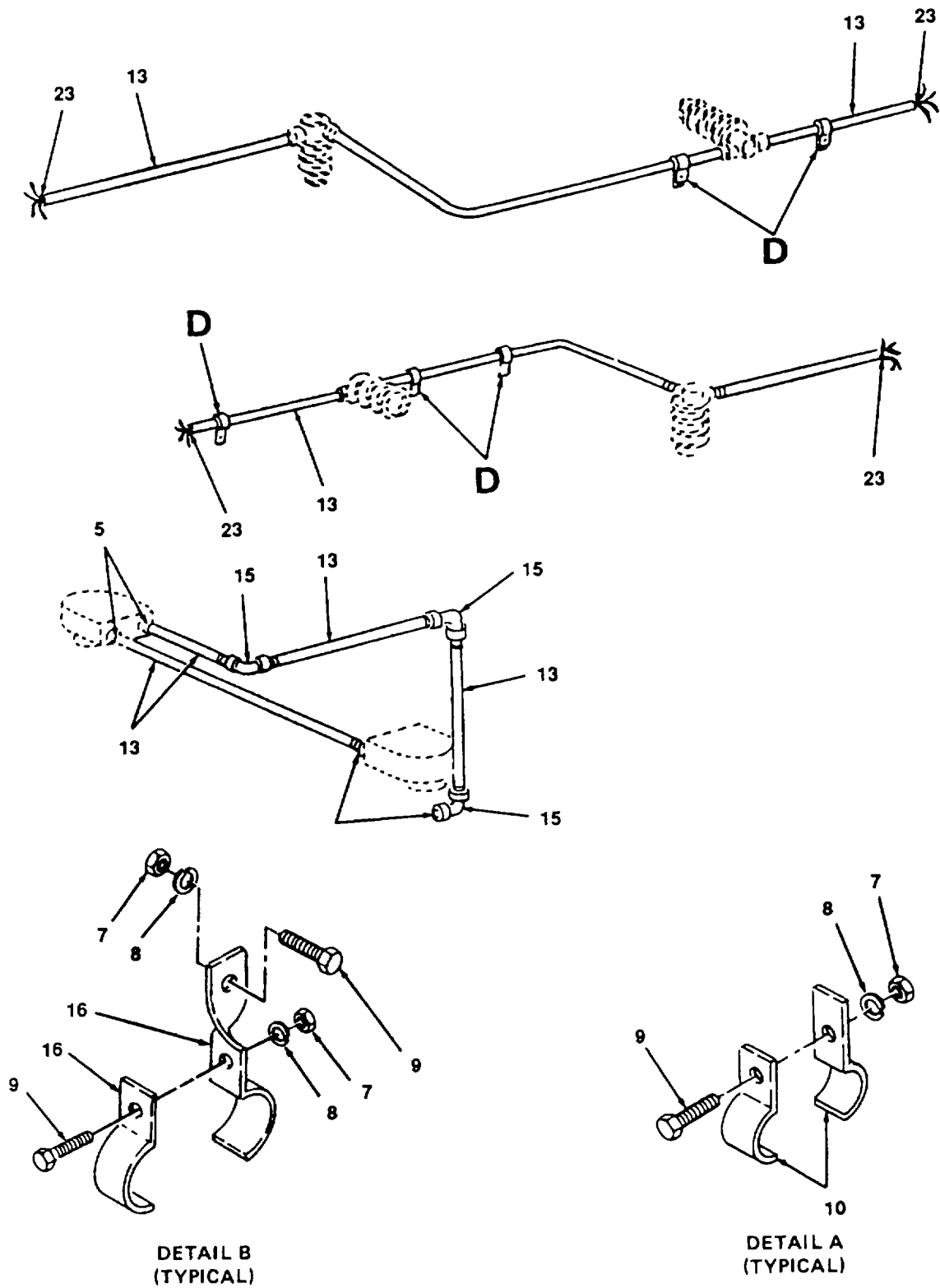


Figure 158. Electrical Conduit (Sheet 2 of 3)

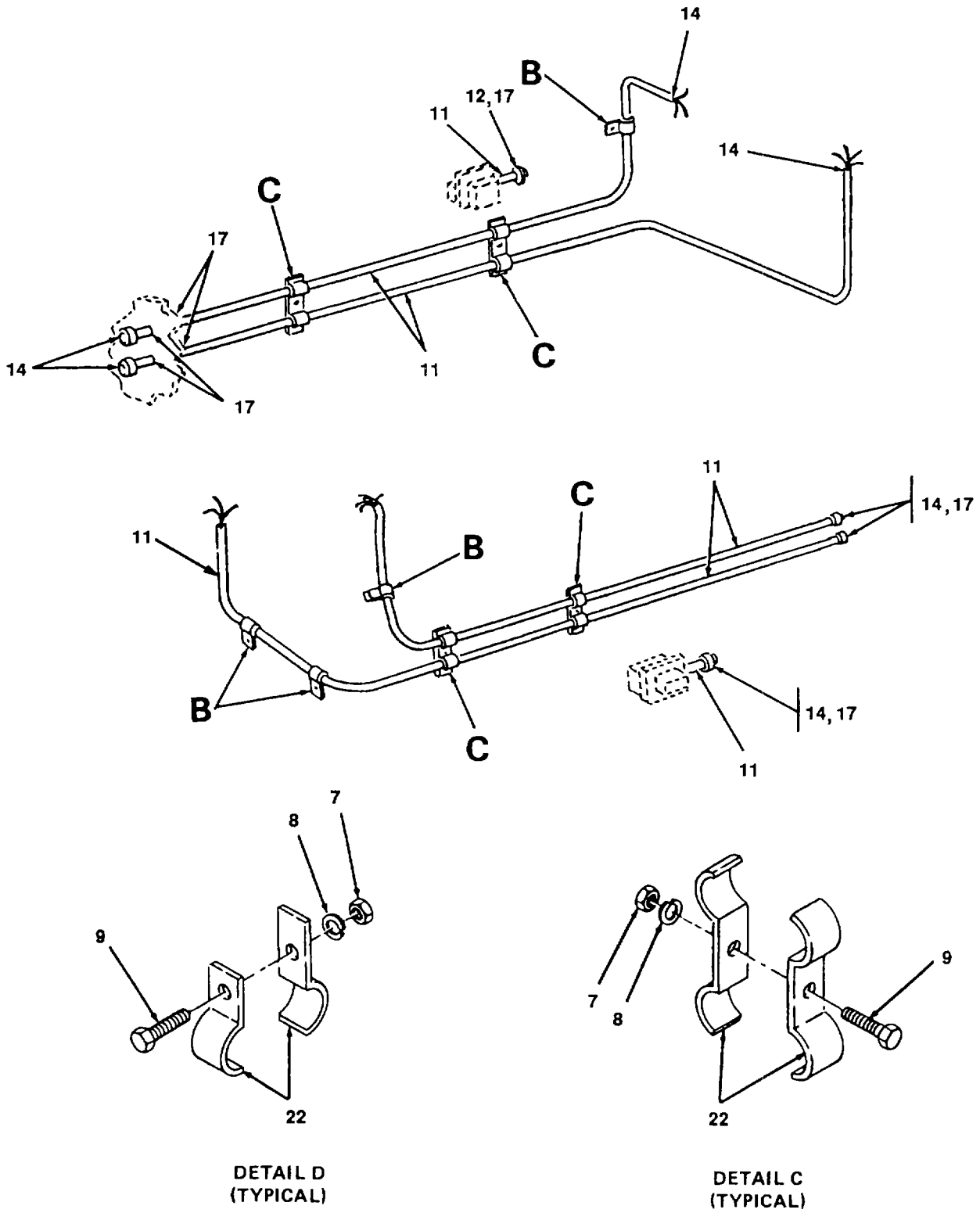


Figure 158. Electrical Conduit (Sheet 3 of 3)

(1) ITEM NO.	(2) FSCM	(3) PART NUMBER	(4) DESCRIPTION AND USABLE ON CODE	(5) QTY
			GROUP 24 PIPING SYSTEMS	
			FIG. 158 ELECTRICAL CONDUIT	
1	06865	5352	CONNECTOR, LIQUID TIGHT, STRAIGHT, 1/2	8
2	09641	LA11	CONDUIT, FLEXIBLE, LIQUID TIGHT, 1/2 IN	V
3	06865	5352	CONNECTOR, LIQUID TIGHT, 90 DEGREE, 1/2 IN	8
4	06865	601	REDUCER, 3/4 X 1/2 IN	8
5	06865	141	NUT, CONDUIT, 1/2 IN	11
6	15235	T27	BODY, CONDUIT, ELECTRICAL, 3/4 IN	7
7	96906	MS51967-09	NUT, HEX, 3/8	25
8	96906	MS35338-6	WASHER, LOCK, 3/8	25
9	96906	MS90725-62	SCREW, HEX, 1/4 X 1 1/4 IN	25
10	97403	13228E2147-43	CLAMP, 3/4 IN	7
11	81348	8113581	CONDUIT, RIGID, 3/4 IN	V
12	15235	LN205	UNION, CONDUIT, 3/4 IN.	3
13	91348	8116953	CONDUIT, RIGID, 1/2 IN.	V
14	06865	223	BUSHING, INSULATING, 3/4 IN	12
15	06865	4290	ELBOW, CONDUIT, 1/2 IN	3
16	97403	13228E2147-48	CLAMPING, CONDUIT, 3/4 IN	19
17	06865	142	NUT, CONDUIT, 3/4 IN	19
18	09641	LA12	CONDUIT, FLEXIBLE, LIQUID TIGHT	V
19	06865	5353	CONNECTOR, LIQUID TIGHT, 90 DEGREES	4
20	96906		COUPLING, CONDUIT (NSN 5975-00-152-1129)	3
21	15235	LL27	BODY, CONDUIT, ELECTRICAL	1
22	97403	13228E2147-42	CLAMP, DOUBLE CONDUIT	4
23	06865	222	BUSHING, INSULATING, 1/2 IN	4
24	97403	13228E2147-44	CLAMP, CONDUIT, 1/2 IN	4
25			NIPPLE, CLOSE, 3/4	1
26	06865	5342	CONNECTOR, LIQUID TIGHT, 1/2 IN	2
			END OF FIGURE	