

1
2 THRU 30

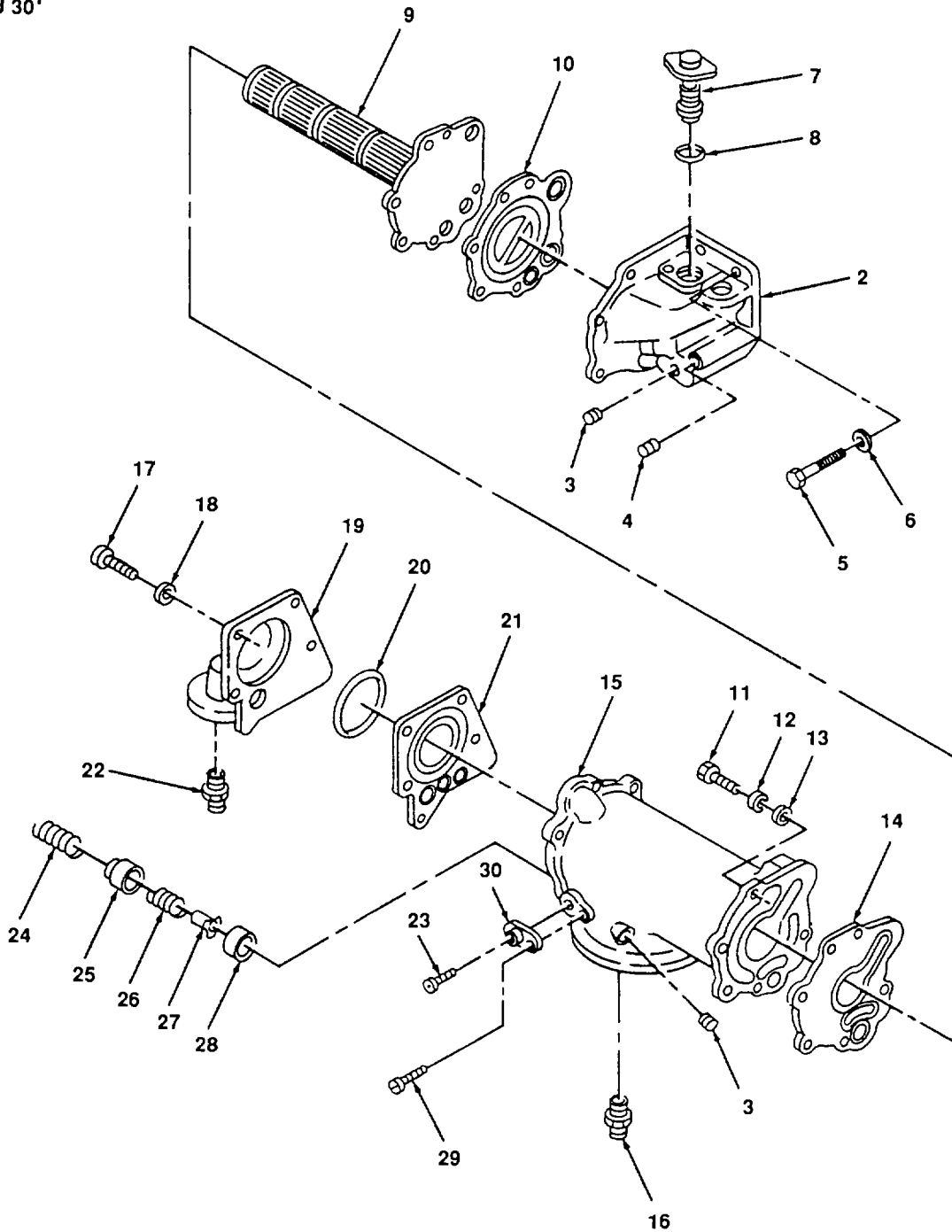


Figure 112. Cooler, Oil.

(1) ITEM NO.	(2) FSCM	(3) PART NUMBER	(4) DESCRIPTION AND USABLE ON CODE	(5) QTY
			GROUP 18 ENGINE GROUP, DIESEL	
			FIG. 112 COOLER, LUBRICATING OIL	
1	15434	3032307	ASSEMBLY, LUB OIL COOLER	1
2	15434	3027460	SUPPORT, OIL COOLER	1
3	15434	3013786	PLUG, PIPE 3/8 IN	2
4	15434	S-910-B	PLUG, PIPE 1/4 IN	1
5	15434	137795	CAPSCREW 5/16-18 X 5-1/2 IN	2
6	15434	S60H	WASHER, LOCK	1
7	15434	3023512	VALVE, BYPASS	1
8	15434	3028333	O-RING SEAL	1
9	15434	3018692	CORE, COOLER	1
10	15434	3018696	GASKET, OIL COOLER CORE	1
11	15434	S137	CAPSCREW 3/8-16 X 2 IN	6
12	15434	S-604	LOCKWASHER 3/8 IN	6
13	15434	S-602	WASHER, PLAIN 13/32 IN	6
14	15434	3018693	GASKET, OIL COOLER HOUSING	1
15	15434	3036231	HOUSING, LUB OIL COOLER	1
16	15434	3034578	ADAPTER, FILTER HEAD	1
17	15434	10807	CAPSCREW 3/8-16 X 1 1/2 IN	4
18	15434	S602	WASHER, PLAIN 13/32 IN	4
19	15434	3018700	HEAD, LUB OIL FILTER	1
20	15434	3018695	SEAL, RECTANGULAR RING	1
21	15434	3027496	GASKET, OIL COOLER COVER	1
22	15434	3021656	INSERT, FILTER HEAD	1
23	15434	101996	CAPSCREW 18-32 X 3/8 IN	1
24	15434	3030802	SPRING, COMPRESSION	1
25	15434	3030805	PISTON, PRESSURE SENSING	1
26	15434	3030803	SPRING, COMPRESSION	1
27	15434	3030806	PLUNGER, BYPASS VALVE	1
28	15434	3030804	PISTON, BYPASS VALVE	1
29	15434	3031005	CAPSCREW	1
30	15434	3035028	UNIT, SENDING	1
			END OF FIGURE	