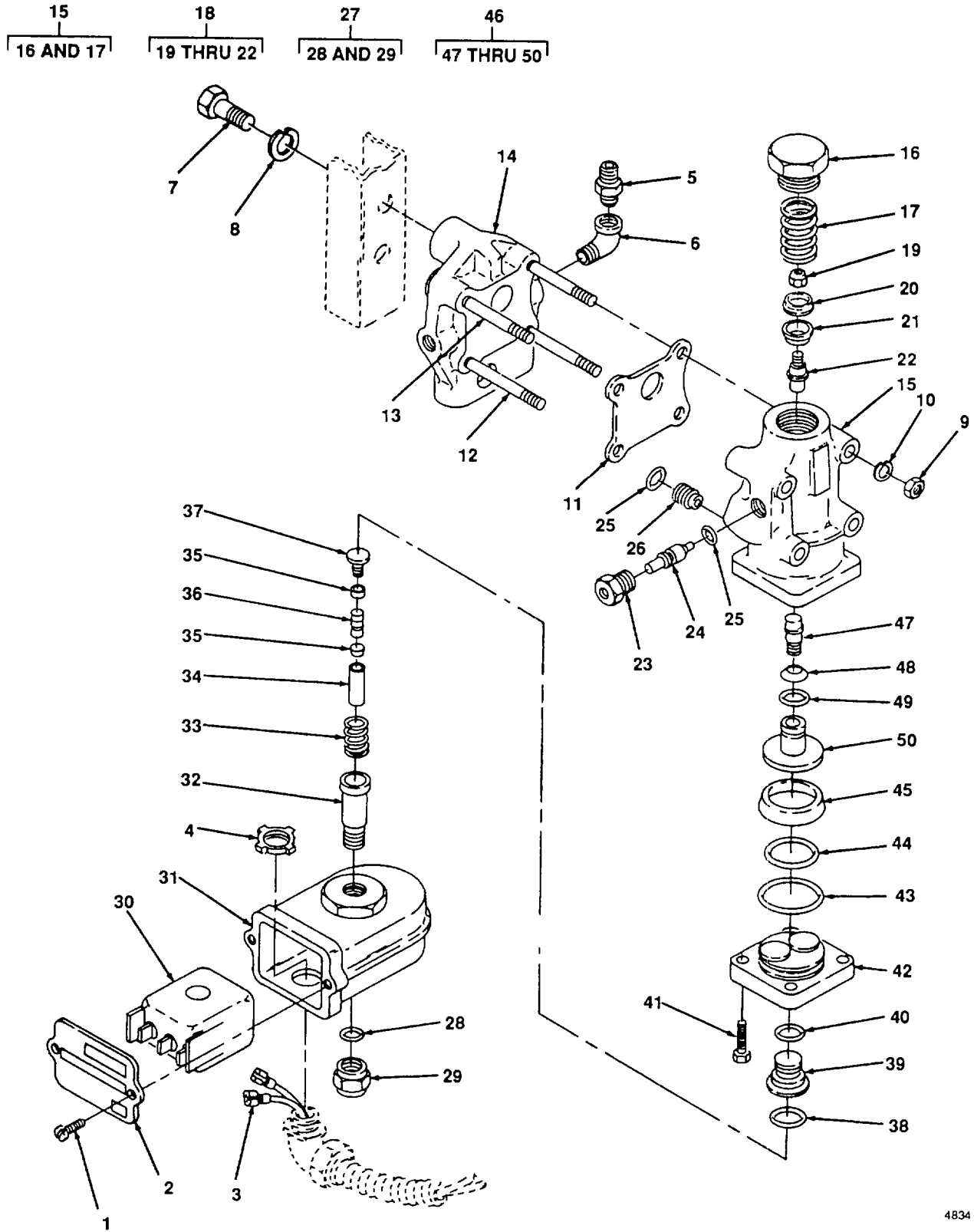


| (1)<br>ITEM<br>NO. | (2)<br>FSCM | (3)<br>PART<br>NUMBER | (4)<br>DESCRIPTION AND USABLE ON CODE  | (5)<br>QTY |
|--------------------|-------------|-----------------------|--|------------|
|                    |             |                       | GROUP 07 SANDER GROUP  |            |
|                    |             |                       | FIG. 31 SAND CONTROLLER  |            |
| 1                  |             |                       | AIR LINE FITTING, MAKE FROM, TUBE, COPPER<br>(NSN 47100-0203-3178), 3/8, FITTING, FLARE<br>(NSN 4730-00-128-2739), 3/8 | 1          |
| 2                  | 30327       | 648F1-2X3-8           | ADAPTER, STRAIGHT (NSN 4730-00-408-4583)   | 1          |
| 3                  | 96906       | 1690                  | NUT, 3/8-UNC   | 8          |
| 4                  | 96906       | 1018                  | WASHER, LOCK, 3/8  | 8          |
| 5                  | 30187       | 277-2                 | SAND CONTROLLER  | 1          |
| 6                  | 30187       | 2614-000              | ADAPTER, FLANGE  | 1          |
| 7                  | 30187       | 2605-000              | SAND, SHUTOFF BODY   | 1          |
| 8                  | 30187       | 2608-000              | GASKET   | 1          |
| 9                  | 30187       | 2603-000              | GATE SEAT  | 1          |
| 10                 | 30187       | 2587-011              | PIN, ROLL  | 2          |
| 11                 | 30187       | 2604-000              | PIN, PIVOT   | 2          |
| 12                 | 30187       | 1084-002-             | SEAL   | 2          |
| 13                 | 30187       | 2602-000              | GATE   | 1          |
| 14                 | 30187       | 673-000               | DELIVERY FLANGE ASSY   | 1          |
| 15                 | 30187       | 2279-000              | GASKET   | 1          |
| 16                 | 30187       | 2611-000              | PLUG, PIPE   | 1          |
| 17                 | 96906       | 1556-000              | SCREW  | 1          |
| 18                 | 96906       | 1552-000              | LOCKWASHER   | 1          |
| 19                 | 30187       | 1788-001              | RETAINER CONTROLLER  | 1          |
| 20                 | 30187       | 1782-000              | VALVE SAND CONTROLLER  | 1          |
| 21                 | 30187       | 1404-001              | SEAL   | 2          |
| 22                 | 30187       | 2601-000              | BODY SAND CONTROLLER   | 1          |
|                    |             |                       | END OF FIGURE  |            |



4834 032

Figure 32. Valve, Sander Control