

DETAIL A

Figure 161. Actuating and Independent Piping (Sheet 1 of 2)

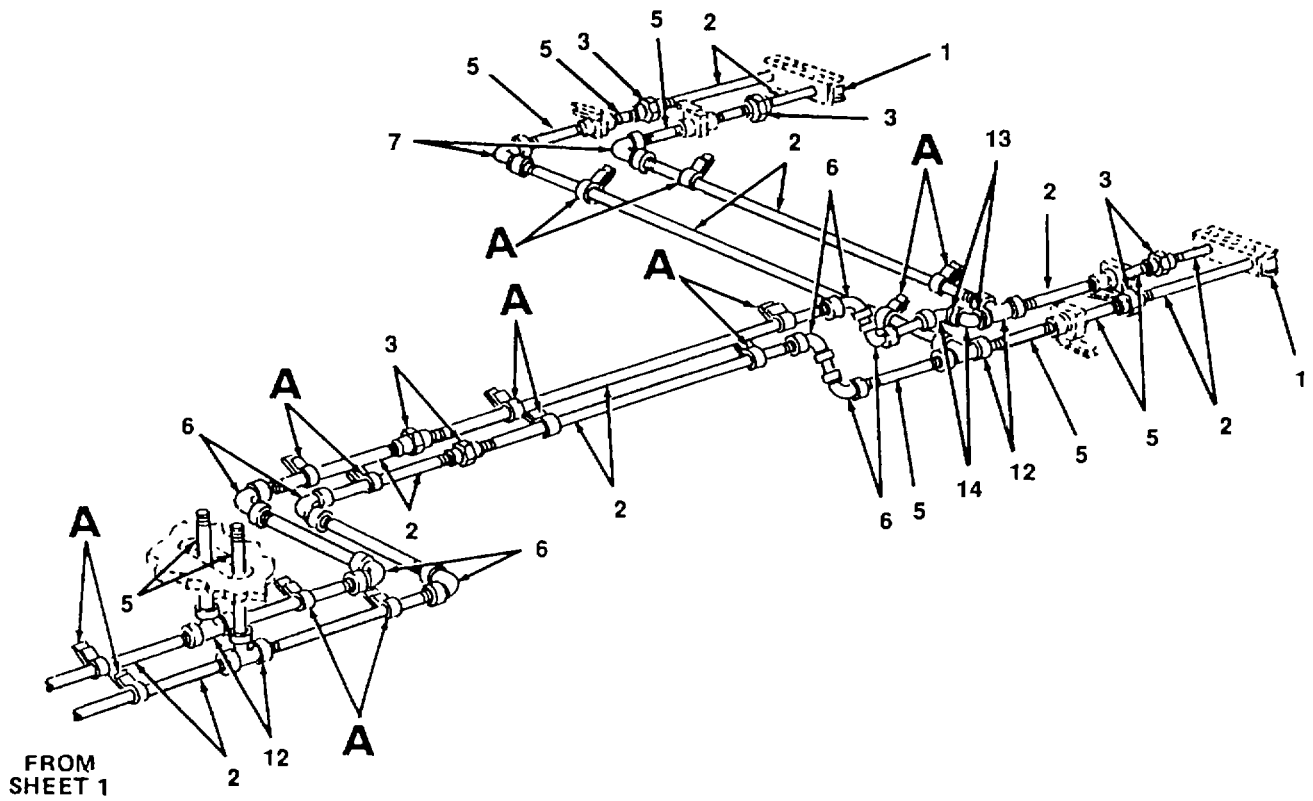


Figure 161. Actuating and Independent Piping (Sheet 2 of 2)

(1) ITEM NO.	(2) FSCM	(3) PART NUMBER	(4) DESCRIPTION AND USABLE ON CODE	(5) QTY
			GROUP 24 PIPING SYSTEMS	
			FIG. 161 ACTUATING AND INDEPENDENT PIPING	
1	82722	98845	COUPLING, ANGLE BRACKET, 1/2 IN	8
2	81346	ASTM-120-84	PIPE, BLACK, SCHED. 80, 1/2 IN	V
3	72423	1641-100	UNION, 300 PSI, BLACK, 1/2 IN	10
4	96906	MS51873-78B	NIPPLE, BLACK, 1/2 X 2 IN.	9
5	96906	MS51837-86B	NIPPLE, BLACK, 1/2 X 6 IN.	10
6	72423	1201-100	ELBOW, 90 DEGREE, 1/2 IN	18
7	72423	1643-100	ELBOW, UNION, 90 DEGREE, 1/2 IN	6
8	96906	MS51967-14	NUT, HEX, 1/2 IN	24
9	96906	MS35338-48	WASHER, LOCK, 1/2 IN.	24
10	96906	MS90725-113	SCREW, HEX, 1/2 X 1 1/2 IN	24
11	97403	13228E2143-4	CLAMP, PIPE SINGLE, 1/2 IN	24
12	72423	1647-100	TEE, UNION, FEMALE RUN	6
13	96906	MS51873-73B	NIPPLE, BLACK, CLOSE, 1/2 IN	2
14	72423	1202-100	ELBOW, 45 DEGREE, BLACK, 1/2 IN	2
			END OF FIGURE	