

8  
9 THRU 20

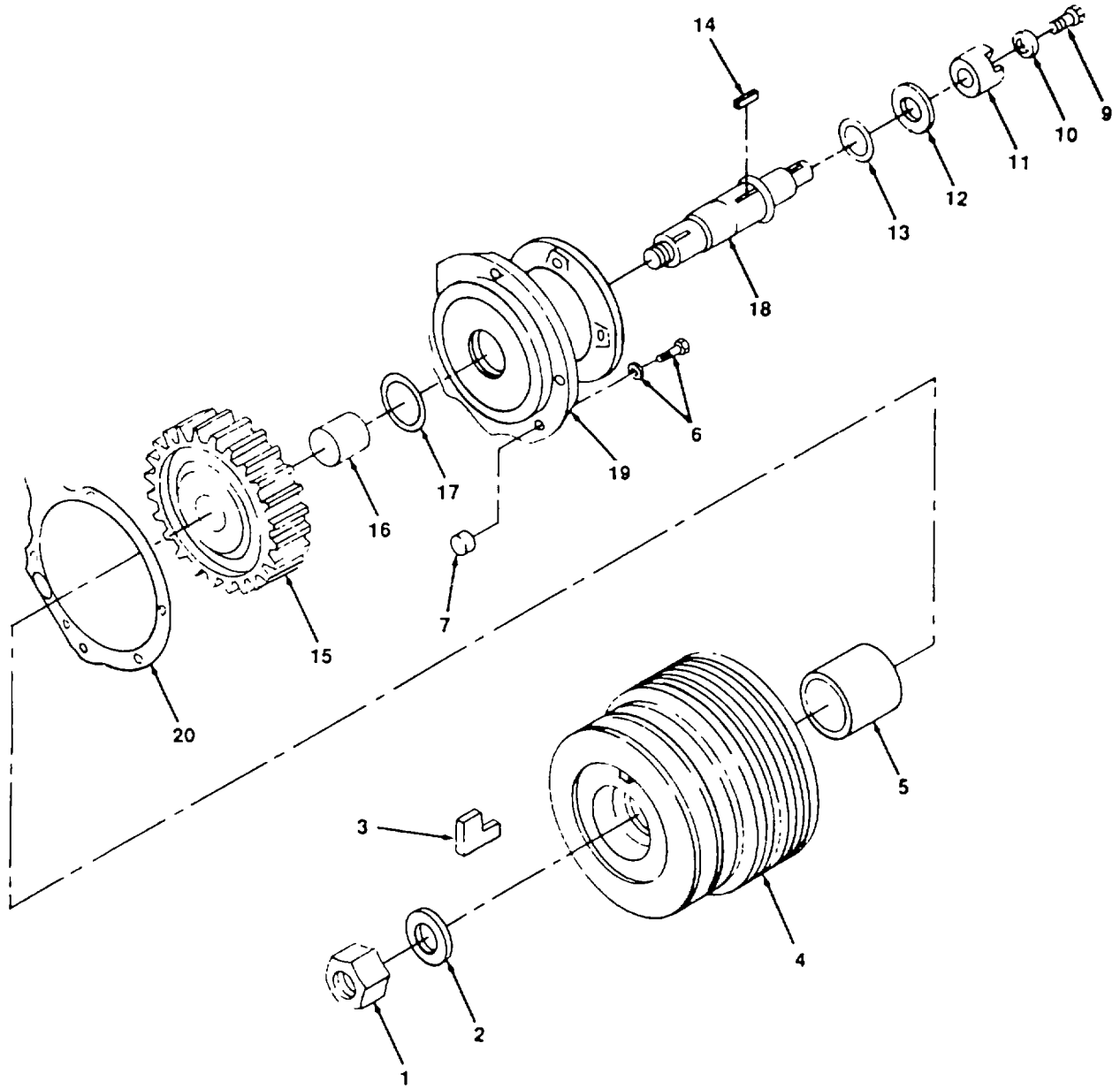


Figure 119. Accessory Drive

(1) ITEM NO.	(2) FSCM	(3) PART NUMBER	(4) DESCRIPTION AND USABLE ON CODE	(5) QTY
			GROUP 18 ENGINE GROUP	
			FIG. 119 ACCESSORY DRIVE	
1	15434	3012526	NUT	1
2	15434	193136	WASHER	1
3	15434	3008947	SEAL, KEYWAY	1
4	15434	3025927	PULLEY, ACCESSORY DRIVE	1
5	15434	190397	SEAL, WEAR	1
6	15434	3010590	SCREW, CAPTIVE	5
7	15434	S-911-B	PLUG, PIPE	1
8	15434	3005131	ACCESSORY DRIVE ASSEMBLY	1
9	15434	129510	SCREW, CAP, HEX	1
10	15434	170664	WASHER, FLAT	1
11	15434	3000175	COUPLING	1
12	15434	3014103	WASHER, FLAT	1
13	15434	3026557	BEARING, THRUST	1
14	15434	3034438	PIN, GROOVED	1
15	15434	142689	GEAR, ACCESSORY DRIVE	1
16	15434	116391	BUSHING	1
17	15434	3026556	BEARING, THRUST	1
18	15434	3000171	SHAFT, ACCESSORY DRIVE	1
19	15434	3002170	HOUSING	1
20	15434	200809	GASKET, DRIVE HOUSING	1
			END OF FIGURE	