

ABDX[®] CONTROL VALVE, PART NO. 592746R

PIPE BRACKET PORTION, PART NO. 566509R

ABDX[®] SERVICE PORTION, PART NO. 592747 (Catalog 3225-A002)

ABDX[®] EMERGENCY PORTION, PART NO. 592581 (Catalog 3225-B004)

NOVEMBER, 2001

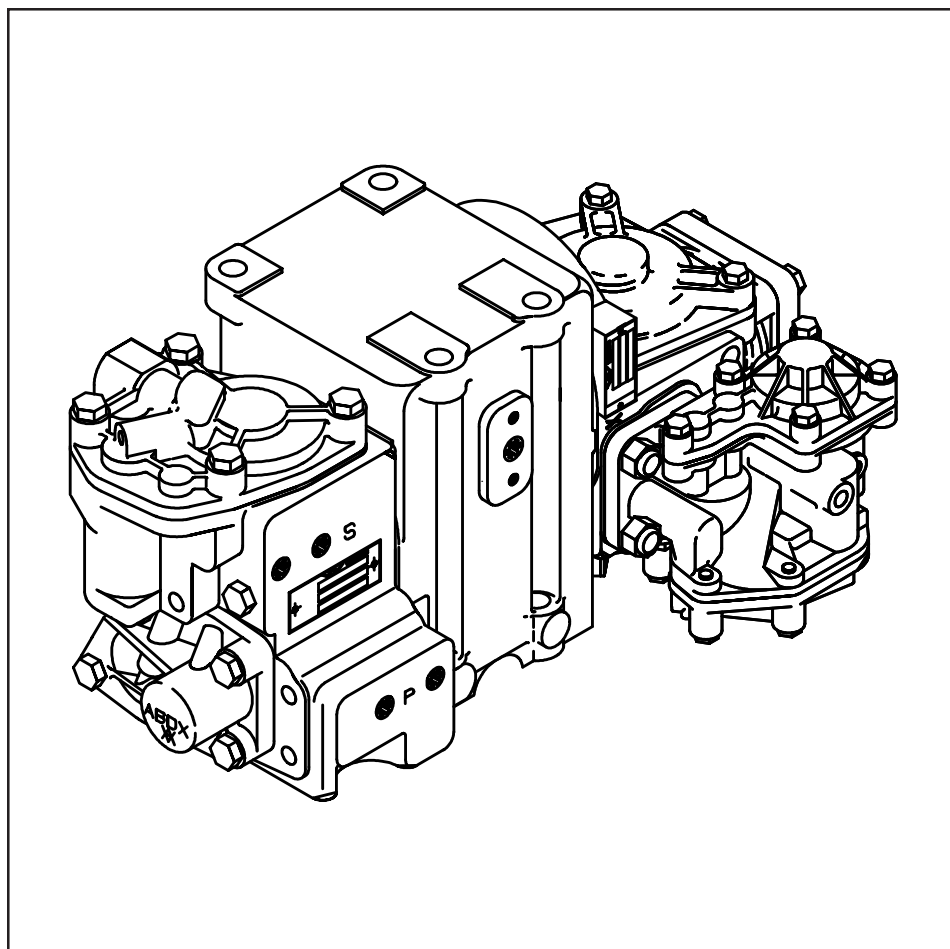
Supersedes issue dated April, 1997

IMPORTANT: This catalog is published as an aid in identifying the detail parts that make up this complete device. Refer to applicable maintenance publication **BEFORE** attempting either the disassembly or the assembly of this device.

⚠ WARNING: At the time any part is replaced in this device, the operation of the complete device must pass a series of tests prescribed in the latest issue of the applicable Wabtec Test Specification. At the time this device is applied to the brake equipment arrangement, a stationary vehicle test must be made to ensure that this device functions properly in the total brake equipment arrangement. (Consult your local Wabtec Representative for identity of the test specification, with latest revision date, that covers this device.)

IMPORTANT: Only Wabtec supplied parts are to be used in the repair of this device in order to obtain satisfactory operation. Commercially available non-O.E.M. parts are unacceptable.

NOTE: The part numbers and their associated descriptions are the property of Wabtec Corporation and may not be replicated in any manner or form without the prior sole written consent of an Officer of Wabtec Corporation.



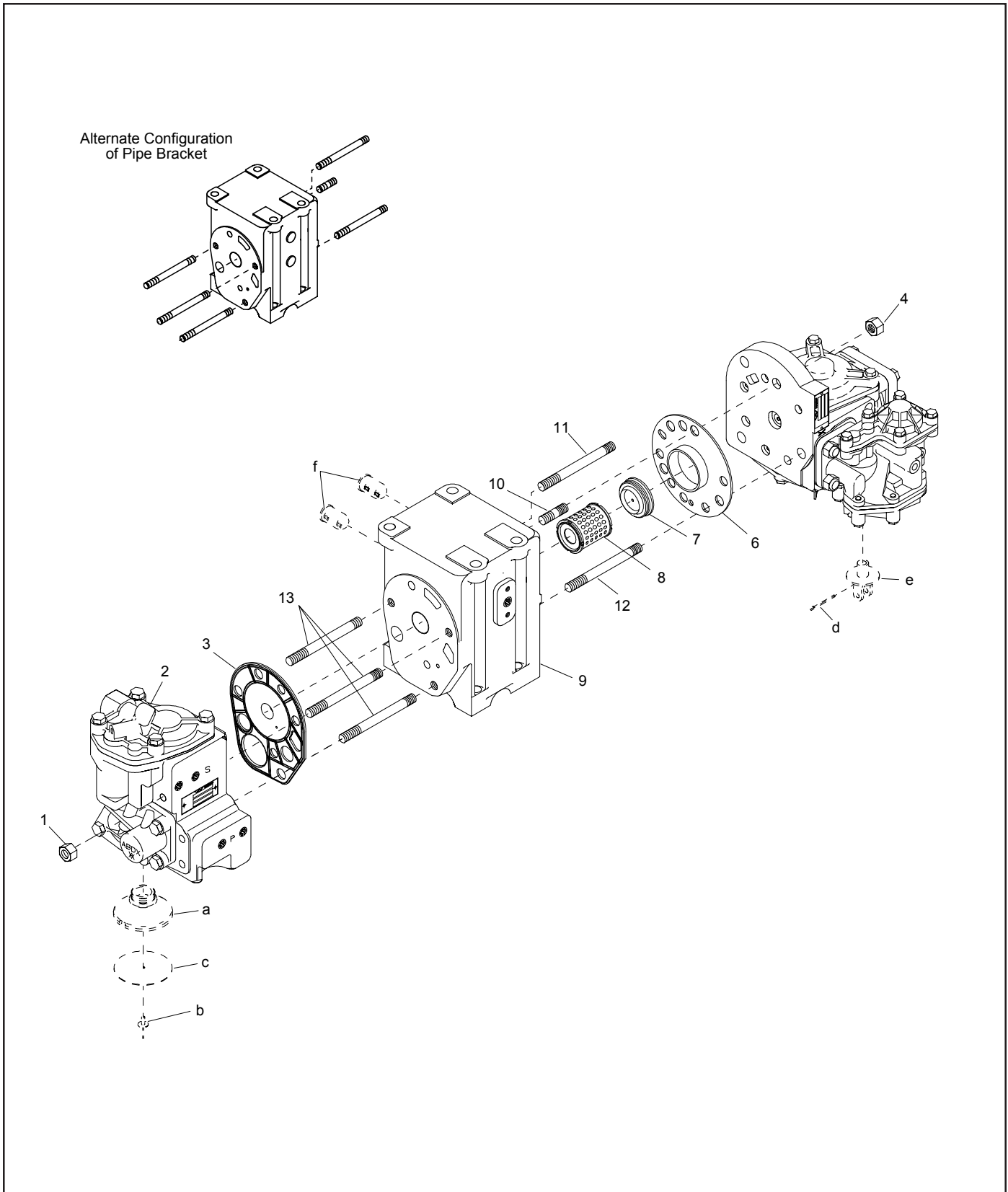


Figure 1 - Part No. 592746R



Parts Catalog

ABDX CONTROL VALVE, PART No. 592746R - Figure 1

Figure & Ref. No.	Customer Part No.	Wabtec Part No.	Description	Qty.
1 -		592746R	ABDX CONTROL VALVE , Less Accessories (Includes Ref. Nos. 1 to 13)	Ref.
1 - 1		502387	... NUT , $\frac{5}{8}$ " Hex (Part of Pipe Bracket, Ref. No. 9)	3
1 - 2		592581	.. ABDX EMERGENCY PORTION (See Catalog 3225-B004)	1
1 - 3		994783	.. GASKET , Emergency Portion Mounting	1
1 - 4		502387	... NUT , $\frac{5}{8}$ " Hex (Part of Pipe Bracket, Ref. No. 9)	3
1 - 5		592747	.. ABDX SERVICE PORTION (See Catalog 3225-A002)	1
1 - 6		994784	.. GASKET , Service Portion Mounting	1
1 -		566509R	.. PIPE BRACKET PORTION (Includes Ref. Nos. 1, 4 and 7 to 13)	Ref.
1 - 7		94947	.. NUT , Strainer Retainer	1
1 - 8		569146	.. STRAINER , Air	1
1 - 9		566511R	.. PIPE BRACKET , (Includes Ref. Nos. 1, 4 and 10 to 13)	1
1 - 10		584253	... STUD , $\frac{5}{8}$ " x 3"	1
1 - 11		81370	... STUD , $\frac{5}{8}$ " x $7\frac{3}{8}$ "	1
1 - 12		570634	... STUD , $\frac{5}{8}$ " x $7\frac{1}{8}$ "	1
1 - 13		561218	... STUD , $\frac{5}{8}$ " x $6\frac{5}{8}$ "	3

NOTE: Part numbers designated with an "R" in this catalog are **REMANUFACTURED** parts. The same number without the "R" is a **NEW** part. New and remanufactured parts are equally suited for this application. For more information, please contact your Customer Service representative.

ACCESSORIES (NOT PART OF CONTROL VALVE)

Figure & Ref. No.	Customer Part No.	Wabtec Part No.	Description	Qty.
1 - a		502574	PROTECTOR , Vent (Includes Ref. b & c)	1
1 - b		571140	.. RIVET , Pop	1
1 - c		502465	.. SEAL , Vent Protector	1
1 - d		94977	PIN , $\frac{3}{16}$ " x $1\frac{1}{2}$ " Cotter	1
1 - e		512708	HANDLE , Reservoir Release Valve	1
1 - f		96472	STRAINER , Wire Mesh (Ports 2 & 5)	2



WABCO Freight Car Products
www.wabtec.com

1001 Air Brake Avenue
Wilmerding, Pennsylvania 15148
(412) 825-1000 • Fax (412) 825-1019

475 Seaman Street
Stoney Creek, Ontario L8E 2R2
(905) 561-8700 • Fax (905) 561-8705